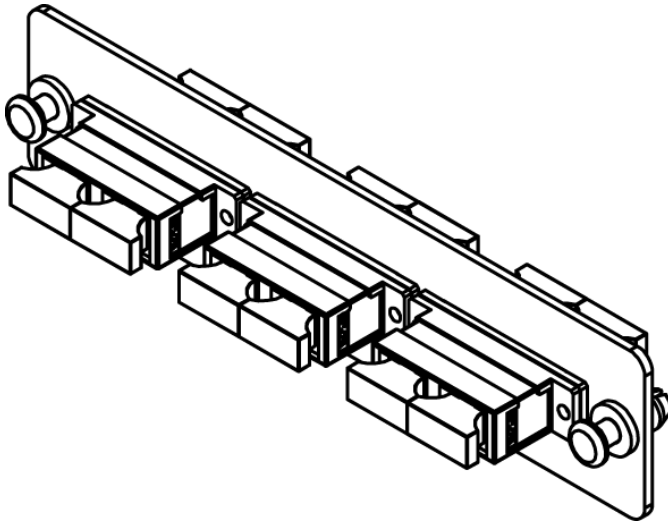


LGX Adapter Panel, 3 Duplex SC, 6F, Beige, MM

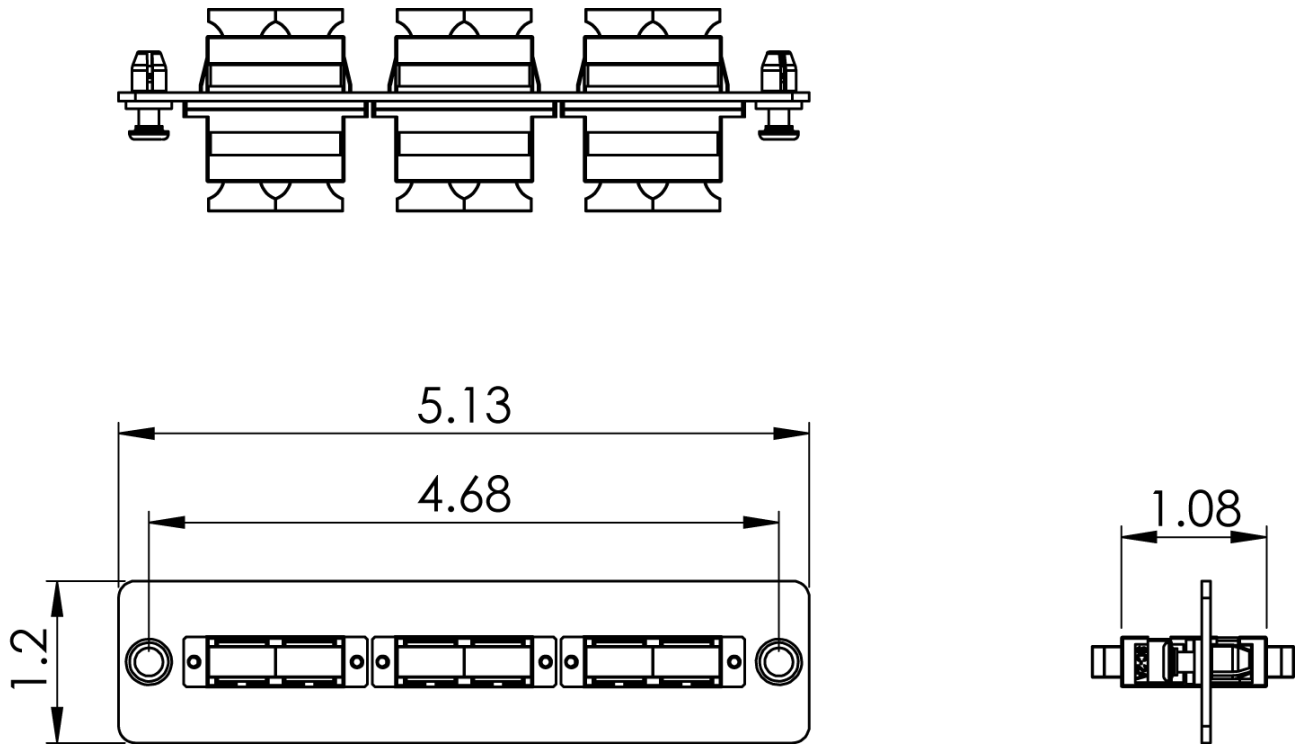
Package Include:

- A. Adapter Panel, **1 Piece.**
- B. Duplex SC Adapter, **3 Pieces.**
- C. Dust Caps, **12 Pieces**



Features and Benefits

- 3 duplex SC adapter for a maximum of up 6-Fiber, Multimode
- Compliant with ANSI/TIA-568-C.3 for optical fiber cabling components standard
- Provides a safe and secure means for connecting the fiber optic cables between external distribution and the active components
- Provides an easy-to-use method of connecting and routing fiber optic circuits with neat and clean appearance
- Push pins provide a secure, snug fit and tool-less installation
- Design to fit ICFORPP1RM and ICFORPP2RM blank fiber optic patch panels, ICFOR fiber optic rack mount enclosures, and ICFOF fiber optic wall mount enclosures
- LGX Compatible



Specifications

- Patch Panel
 - Material: 16 GA CRS
 - Finishing: Texture Black Powder Coat
- SC Quad Adapter
 - Material: ABS
 - Color: Beige
 - Sleeve: Metal