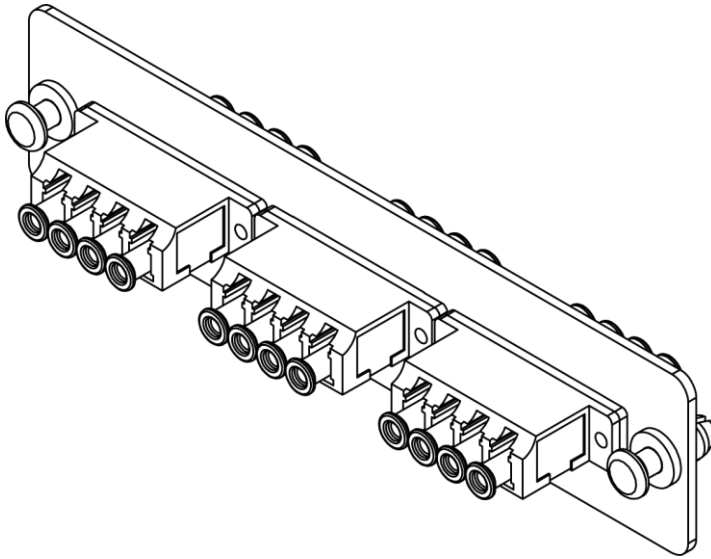


# LGX Adapter Panel, 3 Quad LC, 12F, Beige, MM

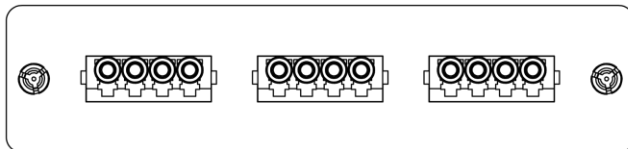
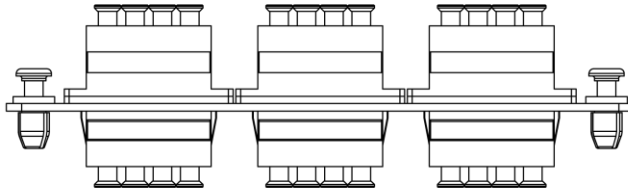
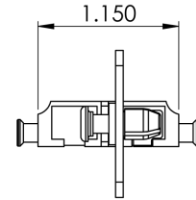
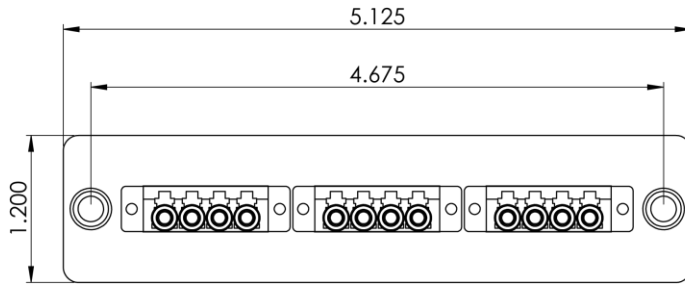
## Package Includes

- A. Adapter Panel, **1 Piece.**
- B. Quad LC Adapter, **3 Pieces.**
- C. Dust Caps, **24 Pieces.**



## Features and Benefits

- Adapter plate uses LC type small-form-factor (SFF) for high density applications, 1.25mm
- 3 quad LC adapter for a maximum of up to 12-Fiber, Multimode
- Compliant with ANSI/TIA-568-C.3 for optical fiber cabling components standard
- Provides a safe and secure means for connecting the fiber optic cables between external distribution and the active components
- Provides an easy-to-use method of connecting and routing fiber optic circuits with neat and clean appearance
- Push pins provide a secure, snug fit and tool-less installation
- Design to fit ICFORPP1RM and ICFORPP2RM blank fiber optic patch panels, ICFOR fiber optic rack mount enclosures, and ICFOF fiber optic wall mount enclosures
- LGX Compatible



### **Specifications**

- Patch Panel
  - Material: 16 GA CRS
  - Finishing: Texture Black Powder Coat
- SC Quad Adapter
  - Material: ABS
  - Color: Beige
  - Sleeve: Metal