

# 4-Post Adjustable Distribution Rack

## INSTALLATION INSTRUCTIONS

### 4-Post Adjustable Distribution Rack

#### ICCMSR4P84

Ensure all parts and hardware is included in the packaging box. Box should contain:

- |                           |                          |                               |
|---------------------------|--------------------------|-------------------------------|
| A. (2) Top Angles         | F. (24) 3/8-16 Bolts     | I. (16) 1/4-20 Carriage Bolts |
| B. (2) Base Angles        | G. (24) 3/8 Lock Washers | J. (16) 1/4-20 Lock Washers   |
| C. (4) Side Channels      | H. (24) 3/8-16 Nuts      | K. (16) 1/4-20 Nuts           |
| D. (4) Extension Channels |                          |                               |
| E. (8) Extension Brackets |                          |                               |

#### Recommended Hardware (sold separately)

ICCMSRFLKT -Rack Floor Mount Kit, Concrete  
ICCACSS01BK -#12-24 X 5/8 Pilot Point Rack Screw

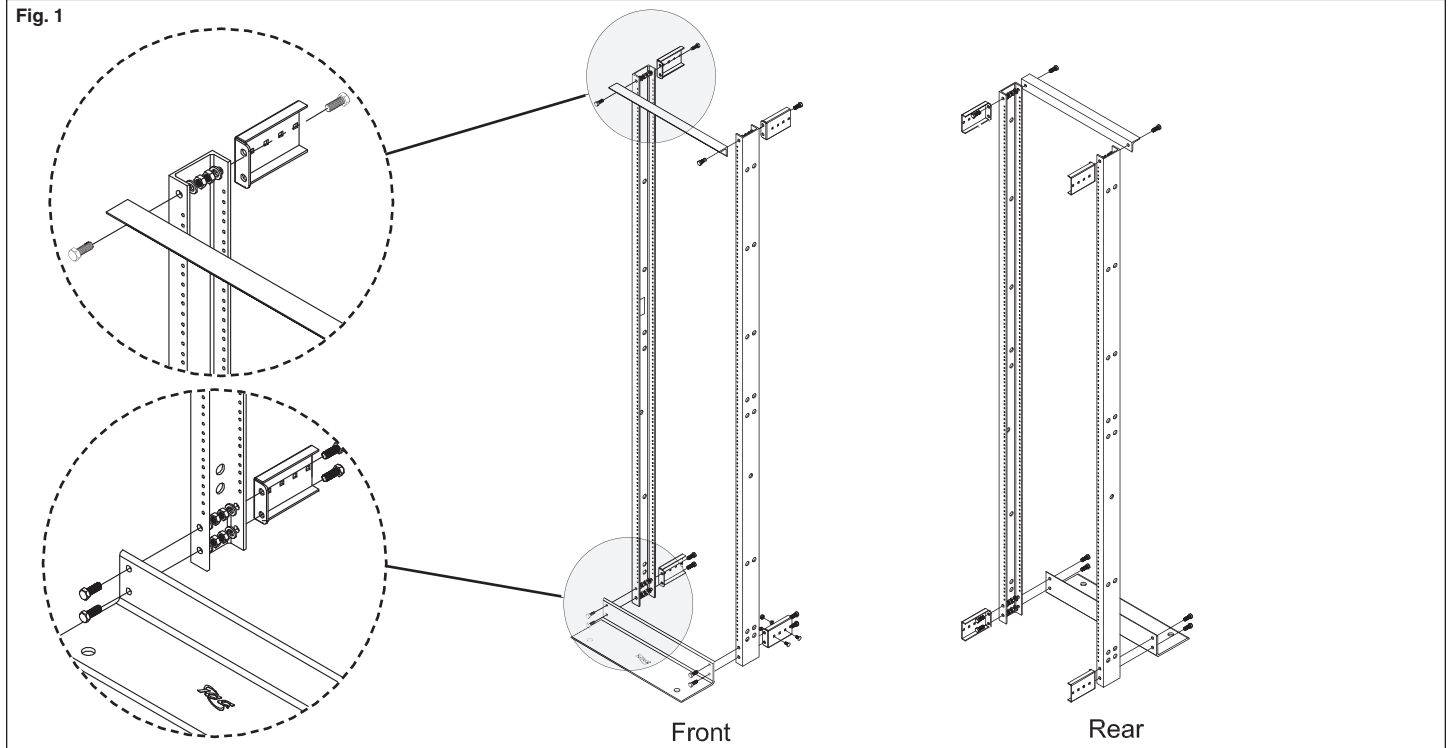
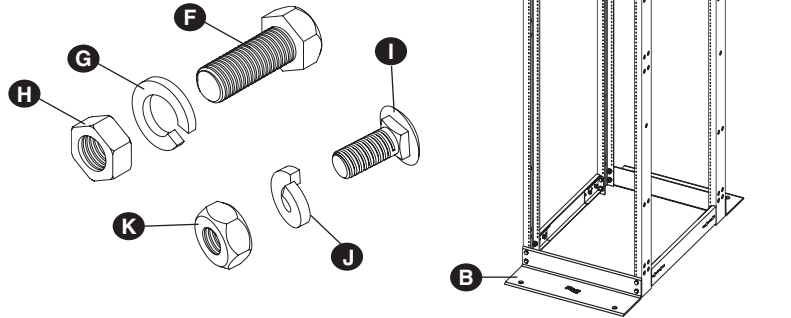
#### Product Specifications

Material:

- A. Side Rails: 6063 T-6 Alum. 3" C-Channels  
B. Top Angle & Base Angle: 6061 T-6 Alum.  
C. Extension Bracket and Extension Channel: 12GA CRS


Thread:

A.#12-24 UNC Per ANSI/EIA Spacing



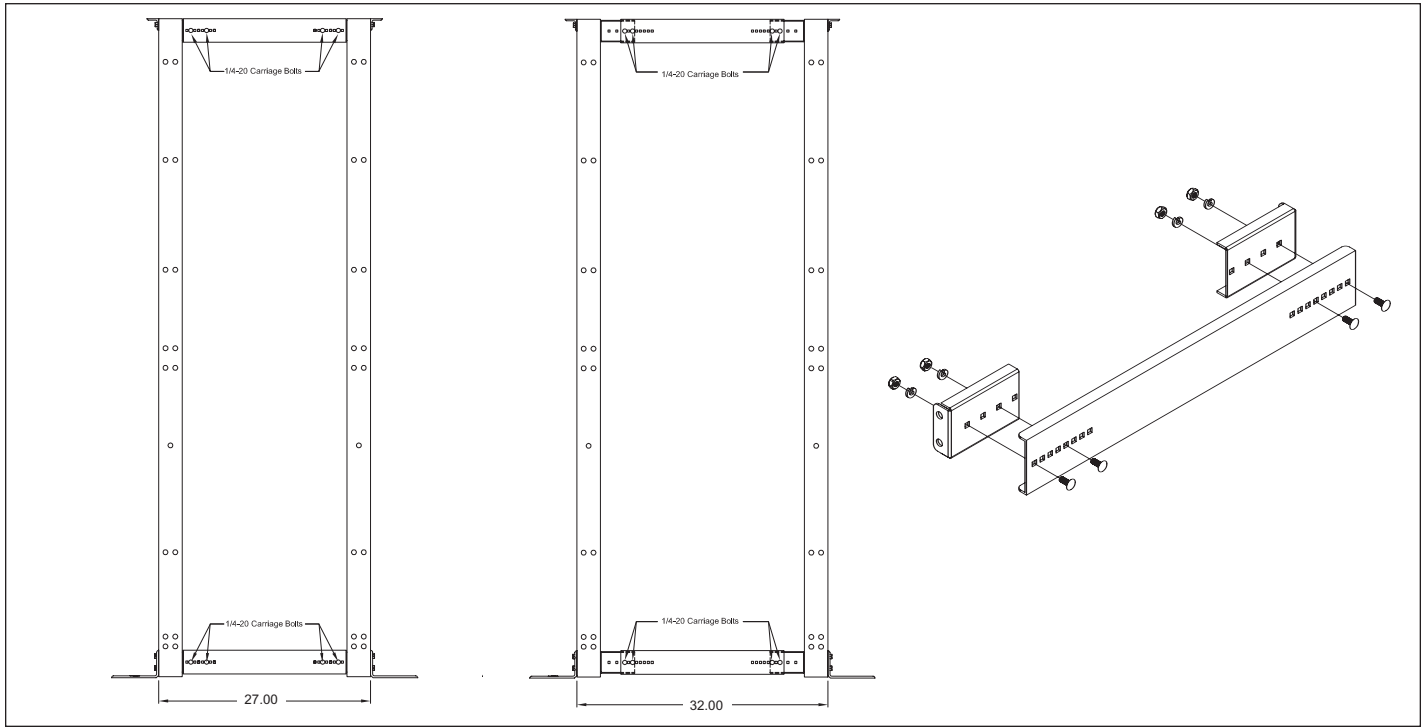
2. Determine the desired width of the rack. NOTE: The rack width is adjustable from 27" min. to 32" max.

Fig. 1  
3. Lay (2) Side Channels on a flat surface with the open channels facing inward. Place one (1) top angle across the front of the Side Channels. Install two (2) 3/8-16 bolts, lock washers, and nuts to secure the top angle with the front of the Side Channels. Place (4) Extension Brackets on the rear side of the channel. Secure the Extension Brackets to the rear of the Side Channels with (2) 3/8-16 bolts, lock washers, and nuts. Place one Base Angle across the bottom end of the side rails. Secure the Base Angles to the Side Channels with (4) 3/8-16 bolts, lock washers, and nuts. NOTE: HAND TIGHTEN ALL NUTS ONLY.  
Repeat the process to assemble the rear side.

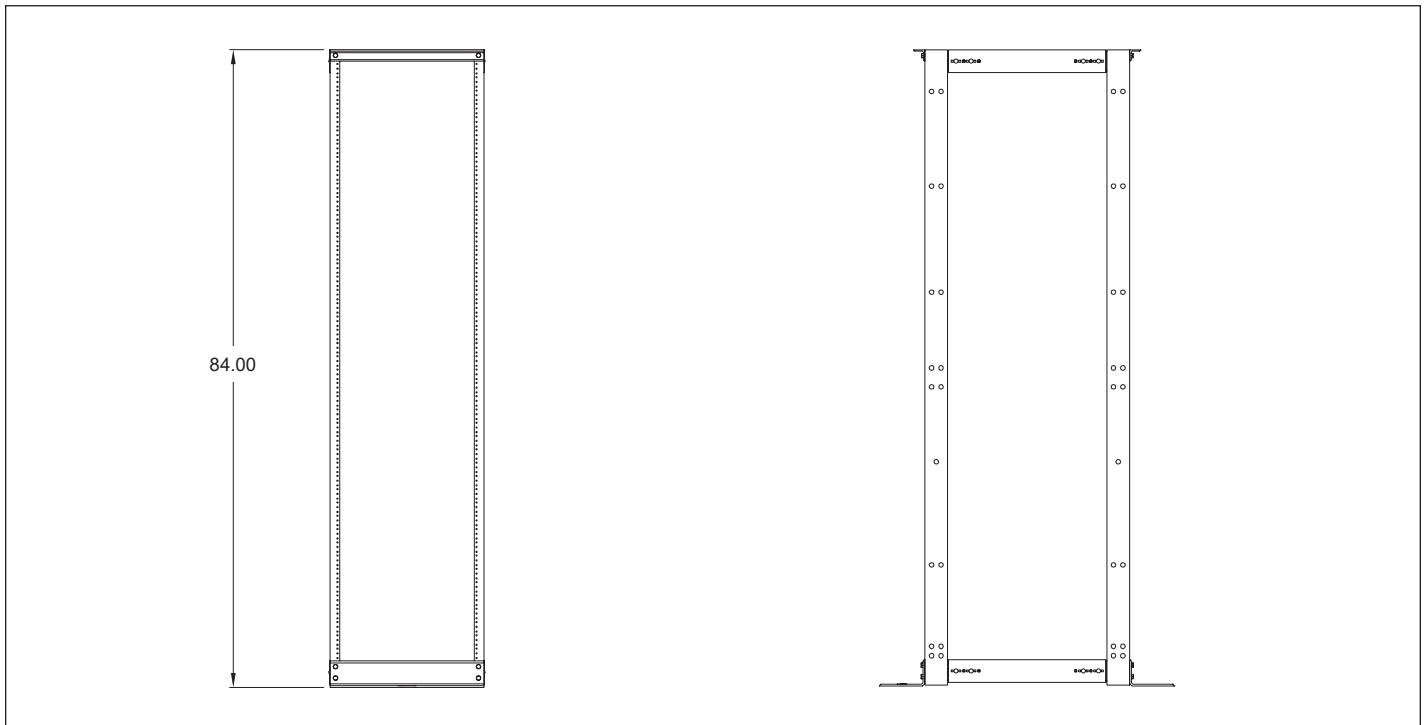
PremiumProducts | ProvenPerformance | CompetitivePrices ..... 

CUSTOMER CARE / TECHNICAL SUPPORT • CSR@ICC.COM / 888-ASK-4-ICC (275-4422)

## ASSEMBLY INSTRUCTIONS



4. Install the (4) Extension Channels according to the chosen width of the rack. Use the (16) 1/4-20 Carriage Bolts, lock washers, and nuts to secure the Extension Channels to the Extension Brackets. NOTE: The location of the carriage bolts will depend on the distance between the front and rear side channels. Hand tighten all nuts only.



5. Stand the assembly up and check for squareness. Make sure the Base is level and will rest on a flat surface.
6. Tighten all bolts to approximately 25-30 lbs/ft of torque.
7. 4-Post Distribution Rack shall resemble the illustration above after assembly is complete.