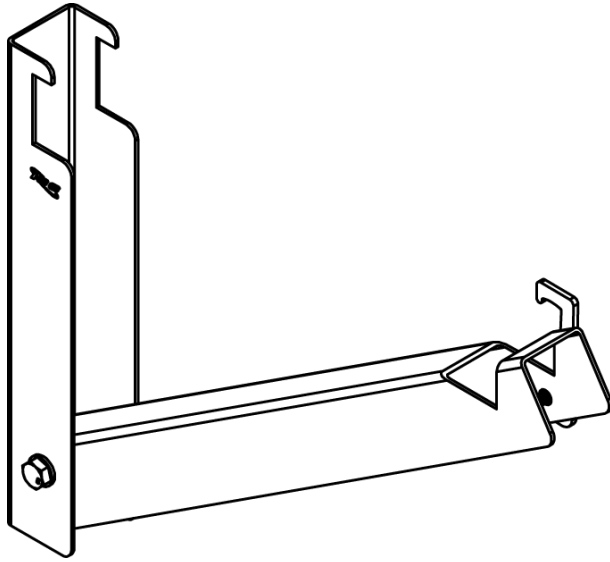


Ladder Rack Triangular Wall Support Kit in 6 Pack

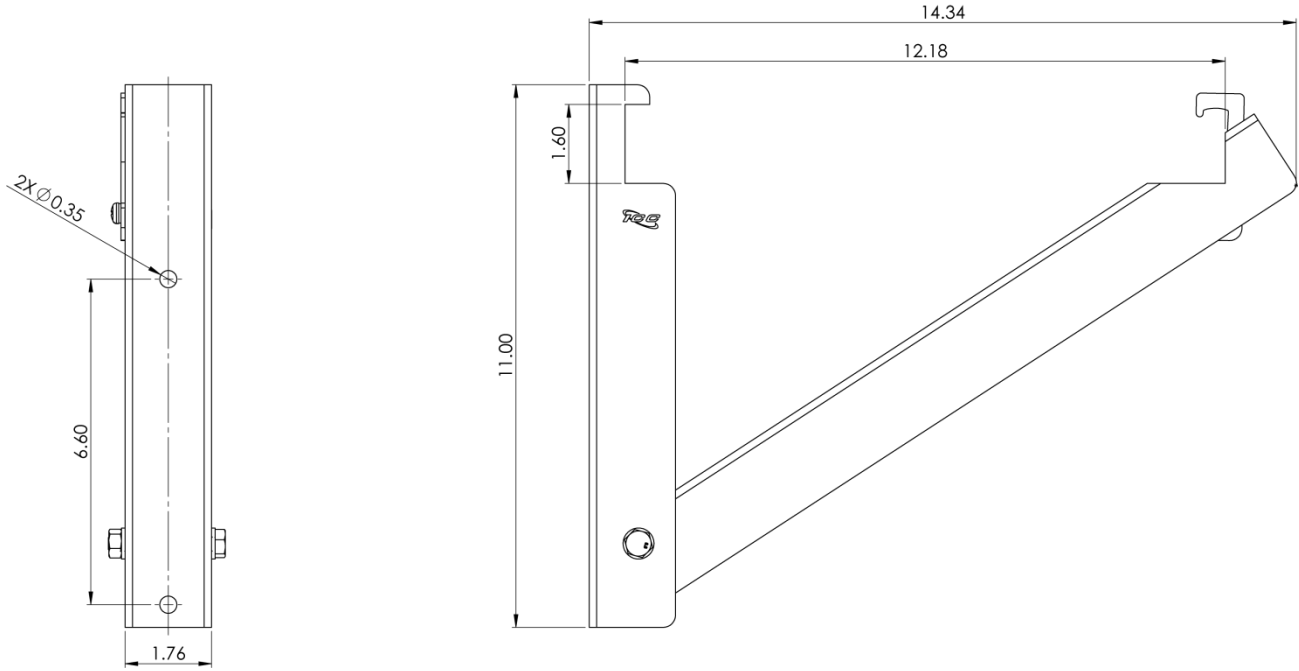


Package Includes

- A. Wall Support, **6 Piece**
- B. Angel Support, **6 Piece**
- C. Hook, **6 Piece**
- D. #12-24 x 5/8 Pan Head, Pilot Point Machine Screw, **6 Pieces**
- E. Washer, **12 Pieces**
- F. 3/8-16 Bolts and Nuts **6 Piece**
- G. 3/8 Washer, **12 Pieces**
- H. Installation Instructions, **1 Sheet**

Features and Benefits

- Designed with durable steel construction providing strength and stability
- Designed to secure and support after assembly and hold Ladder Rack Cable Runways parallel to the wall
- Preassemble for a quick installation
- Used with ICCMSLST Ladder Rack Cable Runways
- Available in 6 Pack



Specifications

- Material: 14GA CRS
- Surface Finish: Black Powder Coat