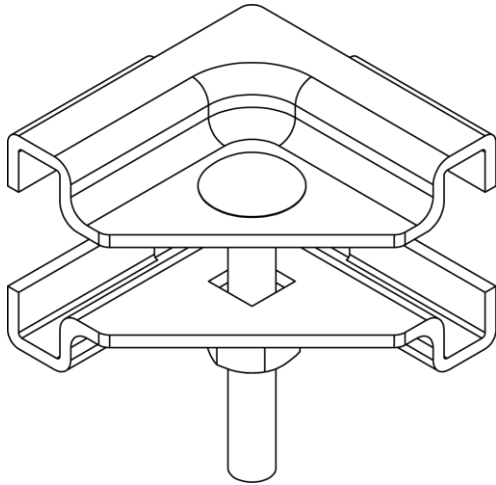


Ladder Rack Tee Junction Splice Kit in 2 Pack

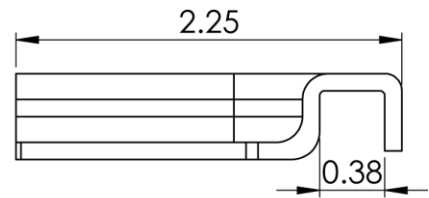
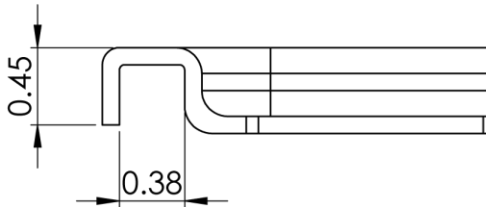
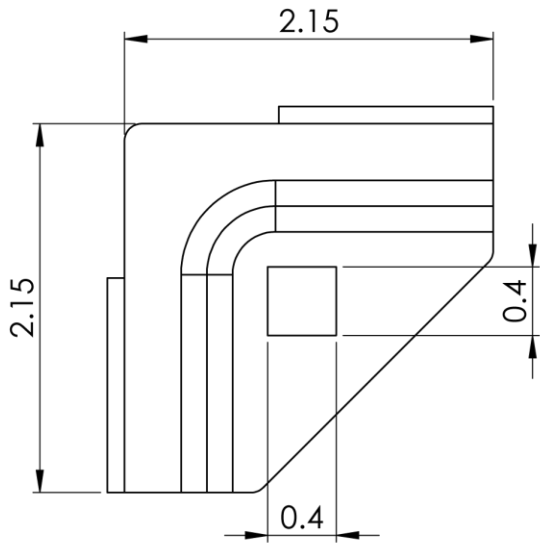


Package Includes:

- A. Tee-Junction Splice, 4 Pieces**
- B. 3/8-16 x 2 1/4" Bolt, 2 Pieces**
- C. 3/8-16 Nut, 2 Pieces**
- D. 3/8 Lock Washer, 2 Pieces**

Features and Benefits

- Designed with durable steel construction, black textured powder coated, providing strength and stability for long lasting use
- Designed to fasten Ladder Rack Cable Runways sections together in a tee intersection
- Used with ICCMSLST Ladder Rack Cable Runways



NOTE: UNLESS OTHERWISE SPECIFIED

- Material: 12GA CRS
- Surface Finish: Textured Black Powder Coat