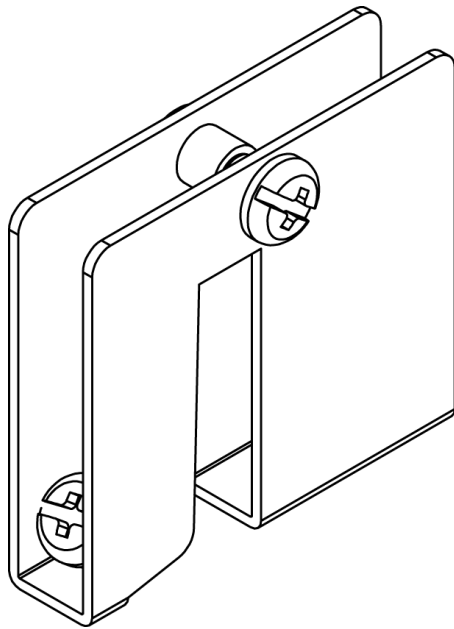


Ladder Rack Tee-Junction Splice Kit in 6 Pack

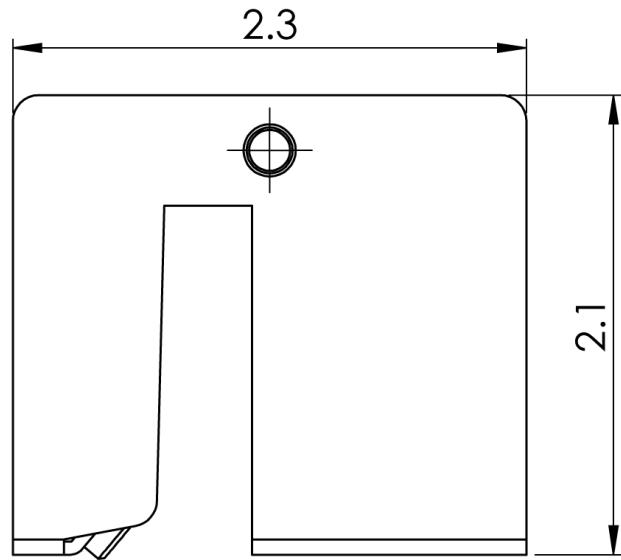
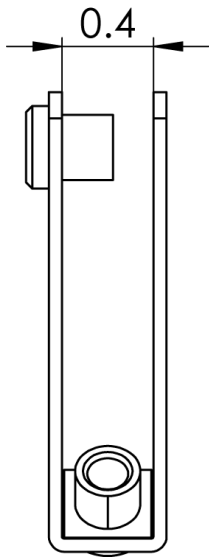
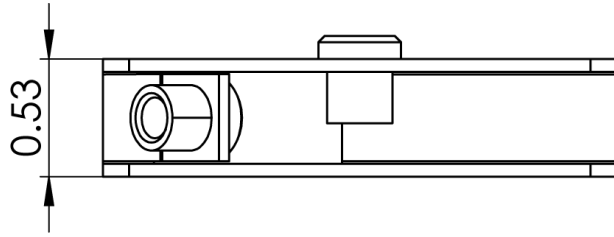


Package Includes

- A. Tee-Junction Splice, **6 Pieces.**
- B. #12-24 x 5/8 Pan Head, Pilot Point Machine Screw, **12 Pieces.**

Features and Benefits

- Designed with durable steel construction providing strength and stability
- Ergonomic design to secure runway in a tee intersection
- Easy and simple installation
- Used with ICCMSLST Ladder Rack Cable Runways
- 1 Piece design, available in 6 Pack



Specifications

- Material: 17 GA CRS
- Surface Finish: Black Powder Coat