



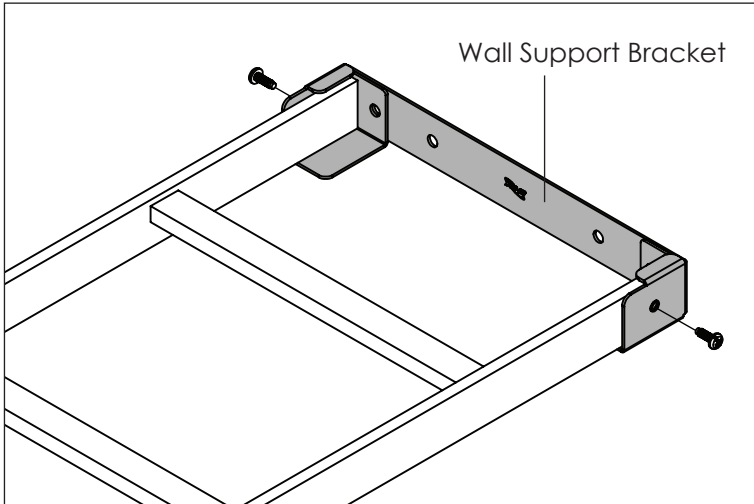
Ladder Rack System

INSTALLATION INSTRUCTIONS

IMPORTANT: Before you start, please plan on how the ladder rack system is to be configured.

How to Mount Ladder

Wall Support Bracket, Perpendicular

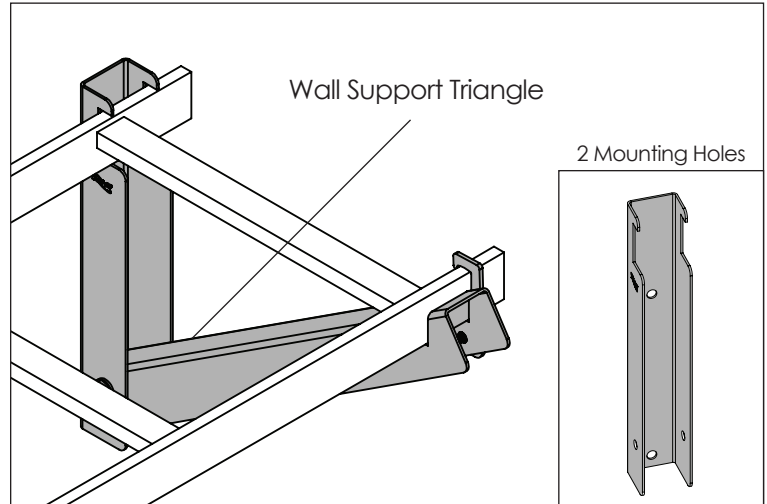


Part No.: ICCMSLWS2

- To mount ladder rack runway to the wall
- Includes 2 brackets and 4 #12-24 x 5/8 screws
- Wall fasteners are not included
- Hole size for mounting to the wall is 0.35"

Note: Drywall can not support the weight of ladder rack

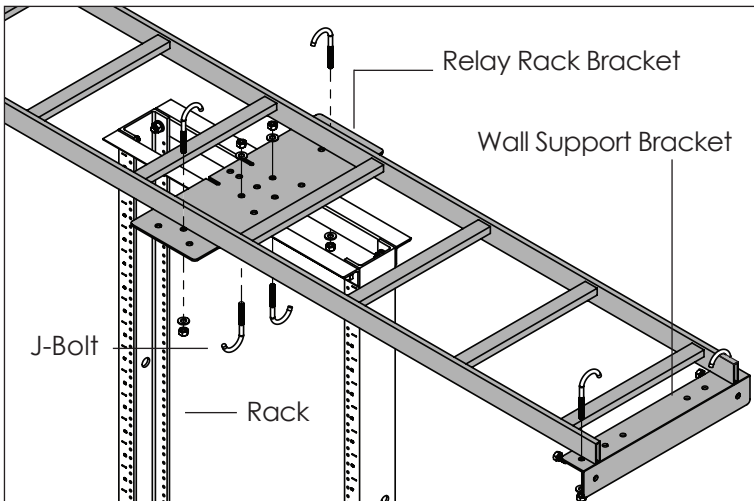
Wall Support Triangle, Parallel



Part No.: ICCMSLTWS6

- Includes 6 Wall Support Triangles and 2 #12-24 x 5/8 screws
 - Wall fasteners are not included
 - Hole size for mounting to the wall is 0.35"
- Note: It is recommended to install a wall support triangle every 5'

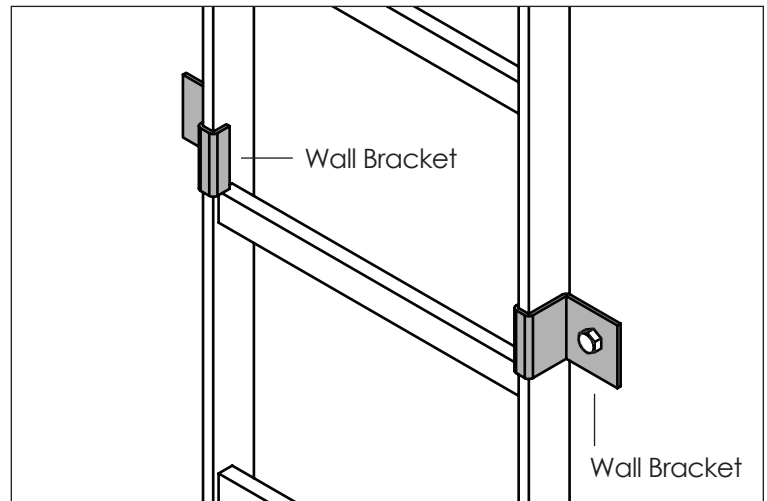
5' Ladder Rack Kit, Perpendicular



Part No.: ICCMSLRW05

- To route cable from rack to wall
- Includes a 5' ladder rack, a relay bracket, a wall bracket, 2 J-bolts and 2 end caps
- Hole size for mounting to the wall is 0.35"

Wall Support Bracket, Vertical



Part No.: ICCMSLVWBK

- To secure ladder rack runway flat against the wall
- Includes 2 brackets
- Wall fasteners not included
- Hole size for mounting to the wall is 0.43"



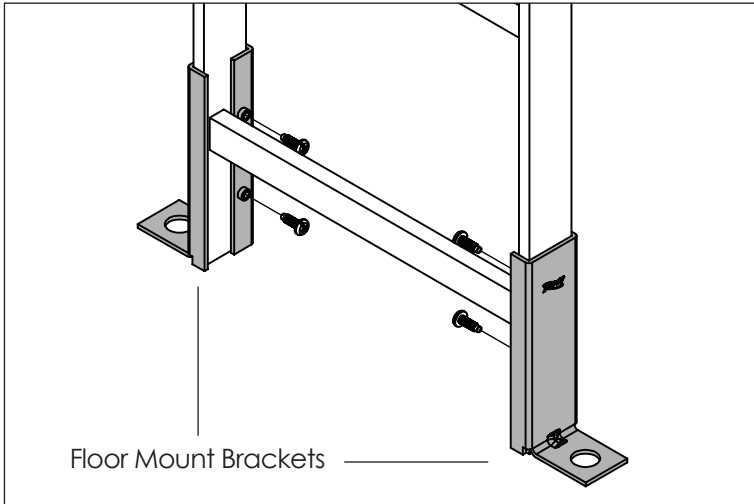
Ladder Rack System

INSTALLATION INSTRUCTIONS

IMPORTANT: Before you start, please plan on how the ladder rack system is to be configured.

How to Mount Ladder

Floor Mount Kit

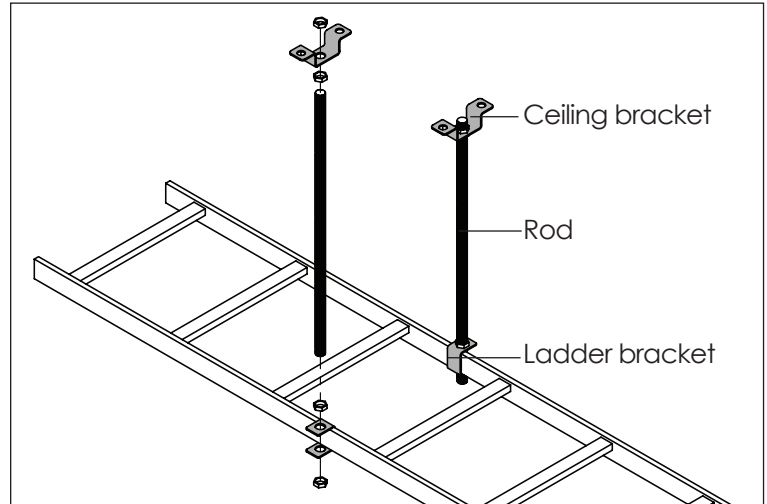


Floor Mount Brackets

Part No.: ICCMSLMFF2

- To join ladder rack runway at ends
- Includes 2 anchors and 4 #12-24 x 5/8 screws
- Floor fasteners not included
- Hole size for mounting to the floor is 0.75"

Ceiling Mount Kit with 6' Rods



Ceiling bracket

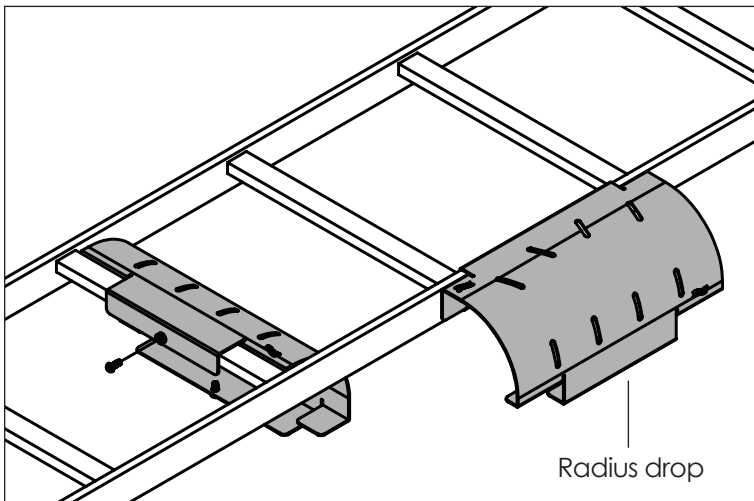
Rod

Ladder bracket

Part No.: ICCMSLCMRK

- To sustain over-hanging ladder rack runway to the ceiling
- Includes 2 threaded rods (6'), 2 ladder brackets, 2 ceiling brackets, and 8 nuts
- Ceiling fasteners not included
- Hole size for mounting to the ceiling is 0.53"
- Max load: 132lbs/ft when supported every 5'

Cable Radius Drop

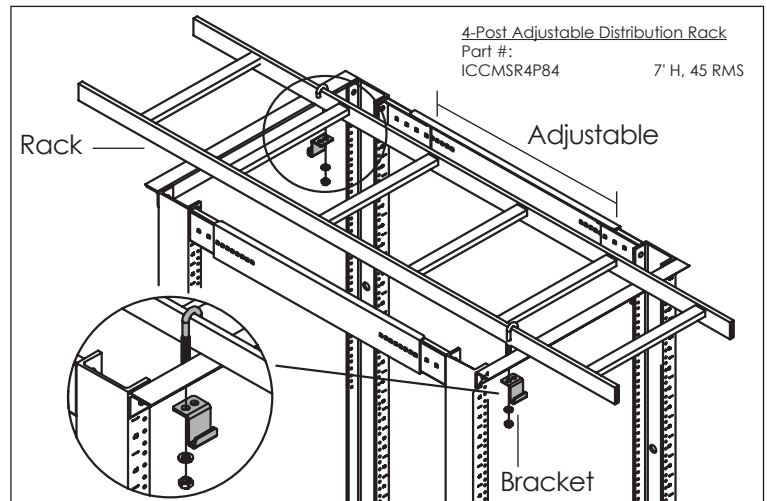


Radius drop

Part No.: ICCMSLRRDB

- To maintain proper cable bend radius at drop points
- Includes 2 radius controlled drops and 4 screws

4 Post Relay Rack Brackets



4-Post Adjustable Distribution Rack
Part #: ICCMSR4P84
7' H, 45 RMS

Rack

Adjustable

Bracket

Part No.: ICCMSL4PBK

- To secure ladder rack runway over 4 post racks
- Includes 2 parallel mounting brackets, 2 perpendicular mounting brackets and 2 J-Bolts



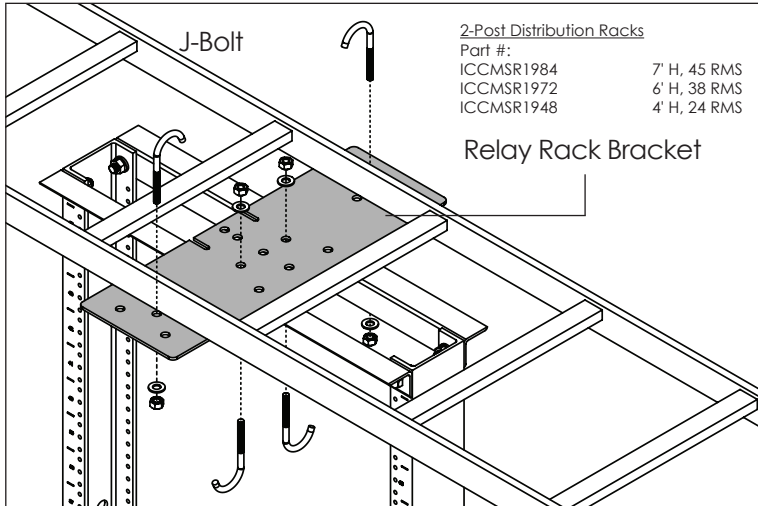
Ladder Rack System

INSTALLATION INSTRUCTIONS

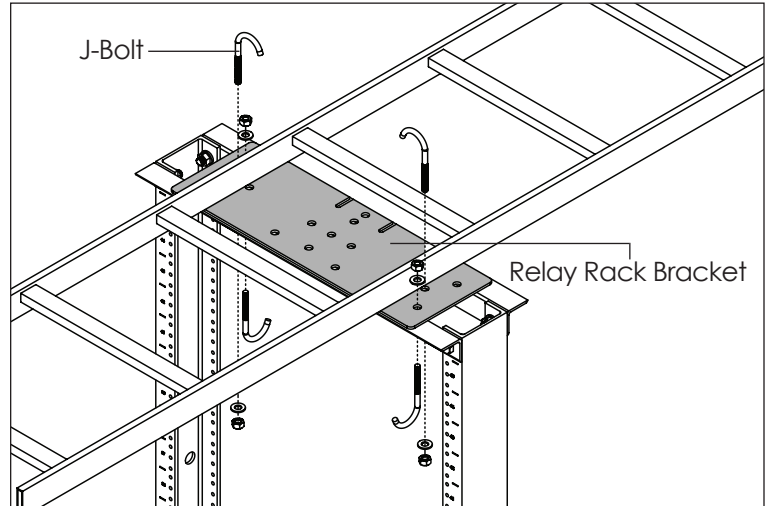
IMPORTANT: Before you start, please plan on how the ladder rack system is to be configured.

How to Mount Ladder on a Rack with a Relay Rack Bracket Kit

On Distribution Racks

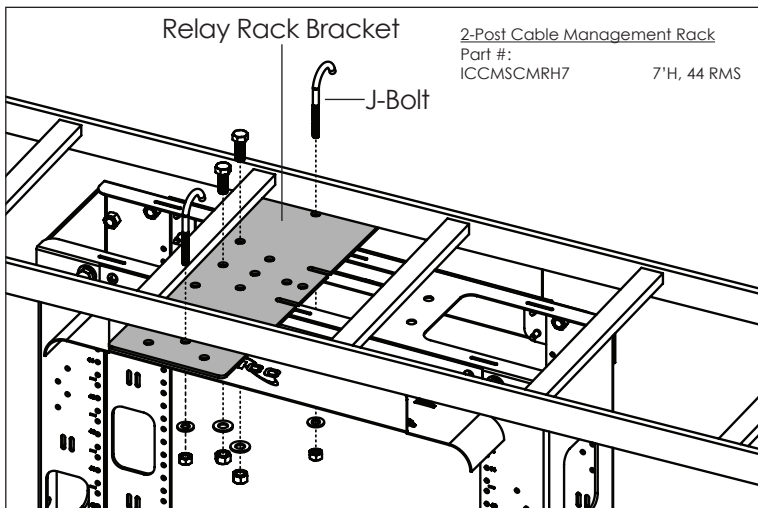


Option 1: Mount bracket parallel to rack as shown using 2 J-Bolts. Then mount ladder running parallel to rack as shown using 2 J-Bolts.

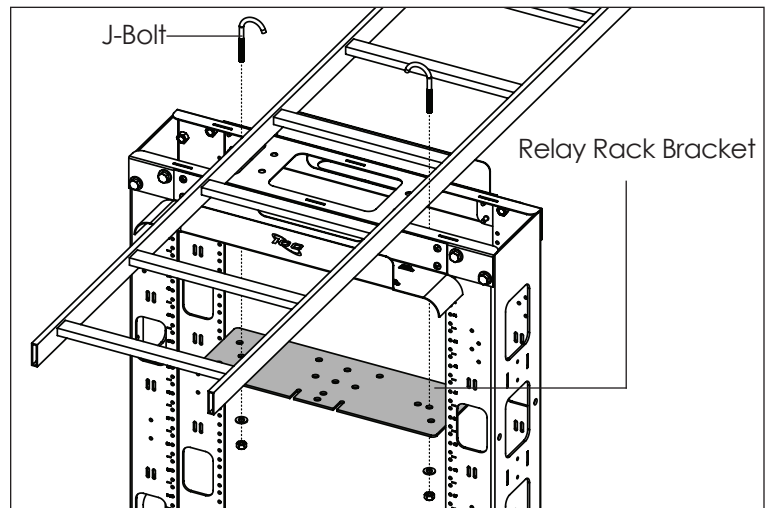


Option 2: Mount bracket perpendicular to rack as shown using 2 J-Bolts. Then mount ladder running perpendicular to rack as shown using 2 J-Bolts.

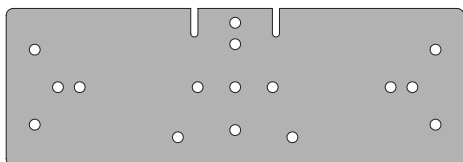
On Cable Management Racks



Option 1: Mount bracket parallel to rack as shown using 2 J-Bolts. Then mount ladder facing parallel to rack as shown using 2 J-Bolts.



Option 2: Place ladder on top and bracket underneath perpendicular to rack as shown. Secure both of them using 2 J-Bolts.



Part No. ICCMSLRBK

Includes: 1 bracket, 4 J-Bolts, and 4 nuts.

Hole positions and size .375"

888-ASK-4ICC

csr@icc.com

icc.com



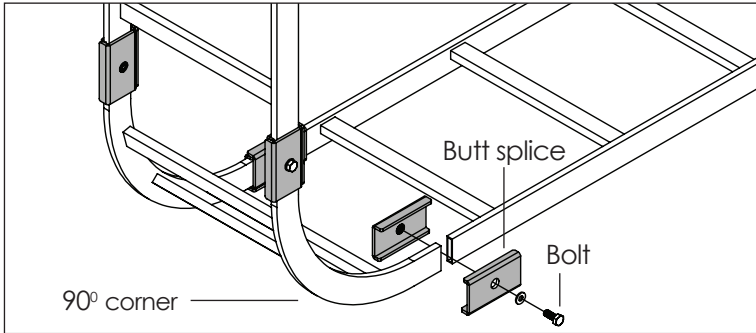
Ladder Rack System

INSTALLATION INSTRUCTIONS

IMPORTANT: Before you start, please plan on how the ladder rack system is to be configured.

How to Connect Ladder and Protect Cable

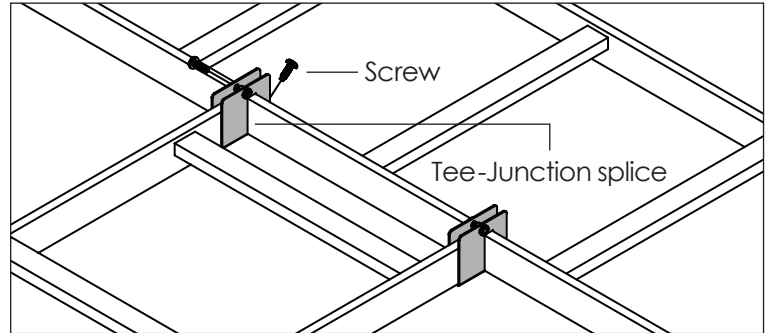
End to End (Butt) Splice Kit



Part No.: ICCMSLRBSK

- To join the ends of ladder rack runway together
- Includes 20 brackets, 10 bolts, and 10 washers

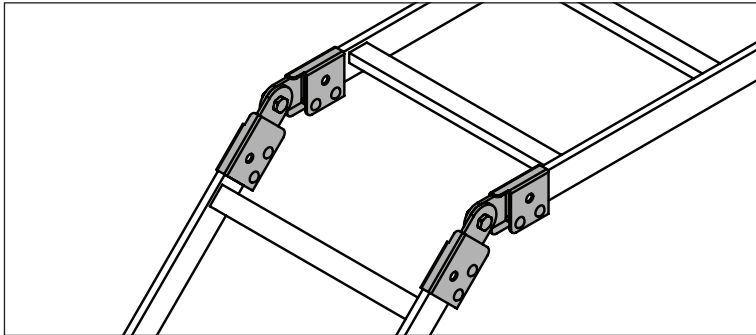
Tee-Junction Splice Kit



Part No.: ICCMSLTJS6

- To fasten ladder rack runway in a tee intersection
- Includes 6 brackets with 12 screws

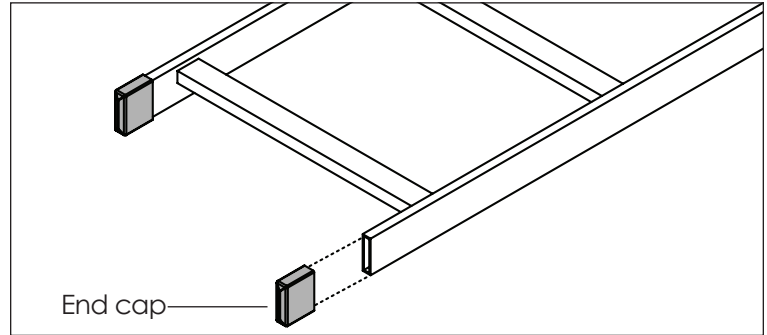
Swivel Butt Splice



Part No.: ICCMSLESSK

- To allow ends to adjust in various angles
- Includes 2 swivel butt splices

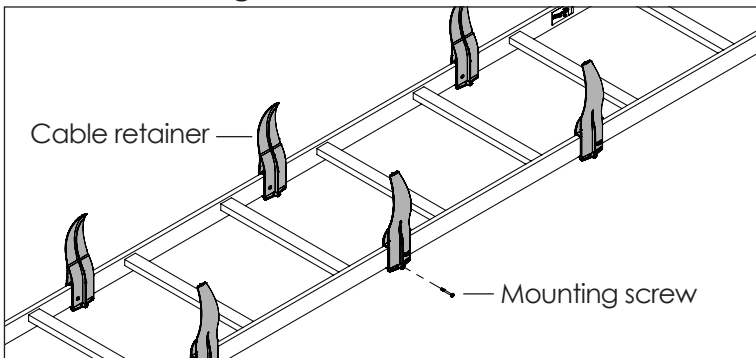
Protective End Caps



Part No.: ICCMSLPECK

- To cover the ends of ladder rack runway
- Includes 2 end caps

Cable Retaining Post Kit



Part No.: ICCMSLRCRP

- To prevent cable from falling off ladder rack runway
- Includes ten (10) 7" posts and 10 mounting screws

Ladder Rack Weight Chart 50% Capacity			Cable Runway Fills		
Distance Between Span	Weight Capacity	Width	CAT 6A (50%**)	CAT 6 (50%**)	CAT 5e (50%**)
10' straight section Part # ICCMSLST10	300 lb.*	12"	500	720	1100
5' straight section Part # ICCMSLST05	500 lb.*	12"	500	720	1100

*When properly secured on both ends of ladder rack runway straight sections

**Cable fills are based on .34 inch outside diameter (OD) CAT 6A, .24 inch O.D. CAT 6, and .21 inch O.D. CAT 5e ICC cable