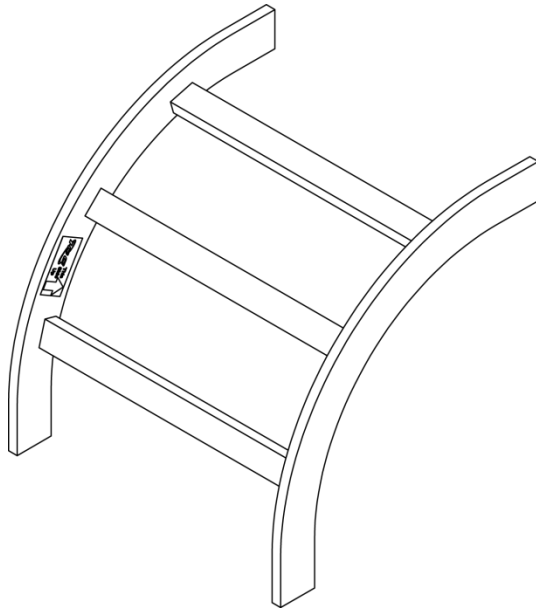


# Ladder Rack Cable Runway 90-Degree Inside Corner Section

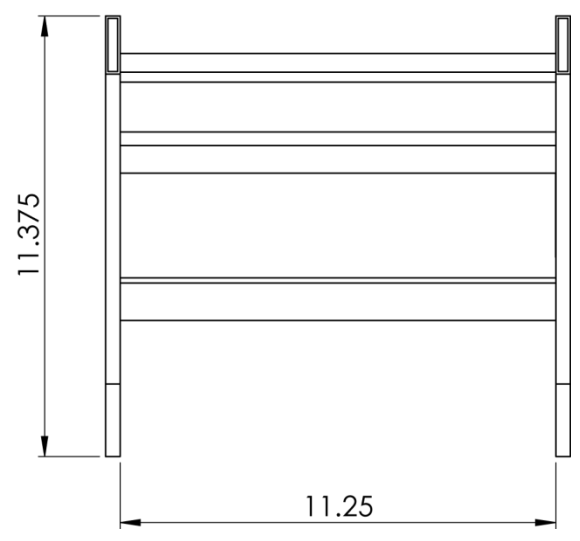
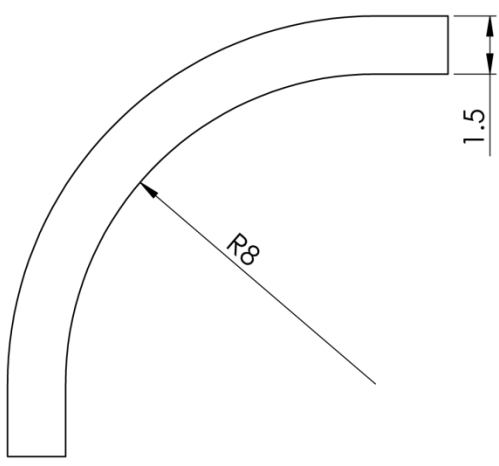
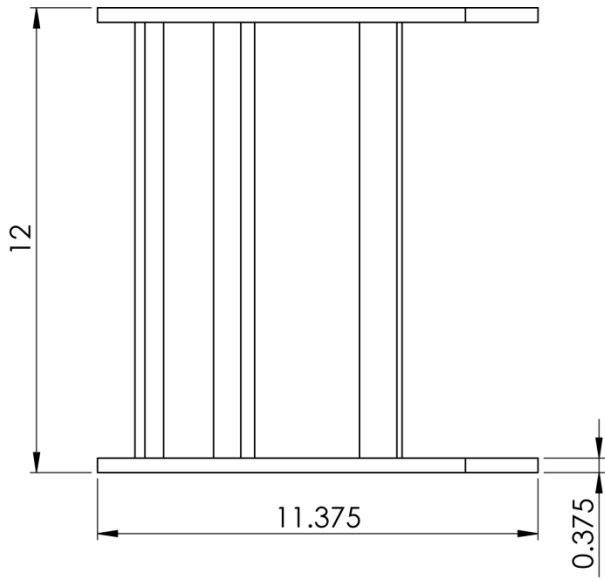
## Package Include:

A. 90° Inside Corner Radius Bend, 1 Piece



## Features and Benefits

- Designed with durable steel construction, black textured powder coated, providing strength and stability for long lasting use
- Designed to change the cable running from vertical to a horizontal direction to support ceiling cable entry
- Used with ICCMSLST Ladder Rack Cable Runways



**NOTE: UNLESS OTHERWISE SPECIFIED**

- Material: 16GA Steel Tubing
- Construction: Welded
- Surface Finish: Black Powder Coat

