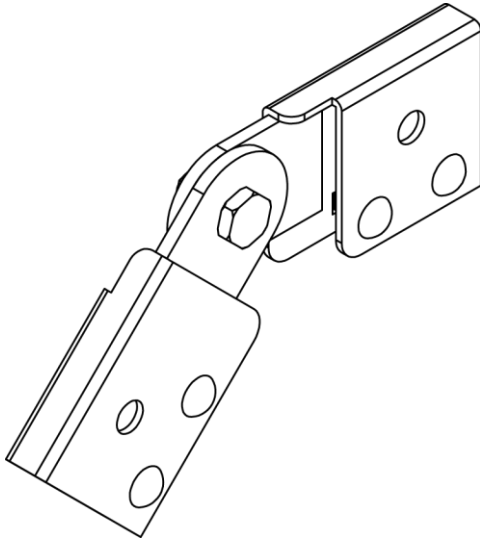


Ladder Rack Swivel Butt Splice Kit in 2 Pack

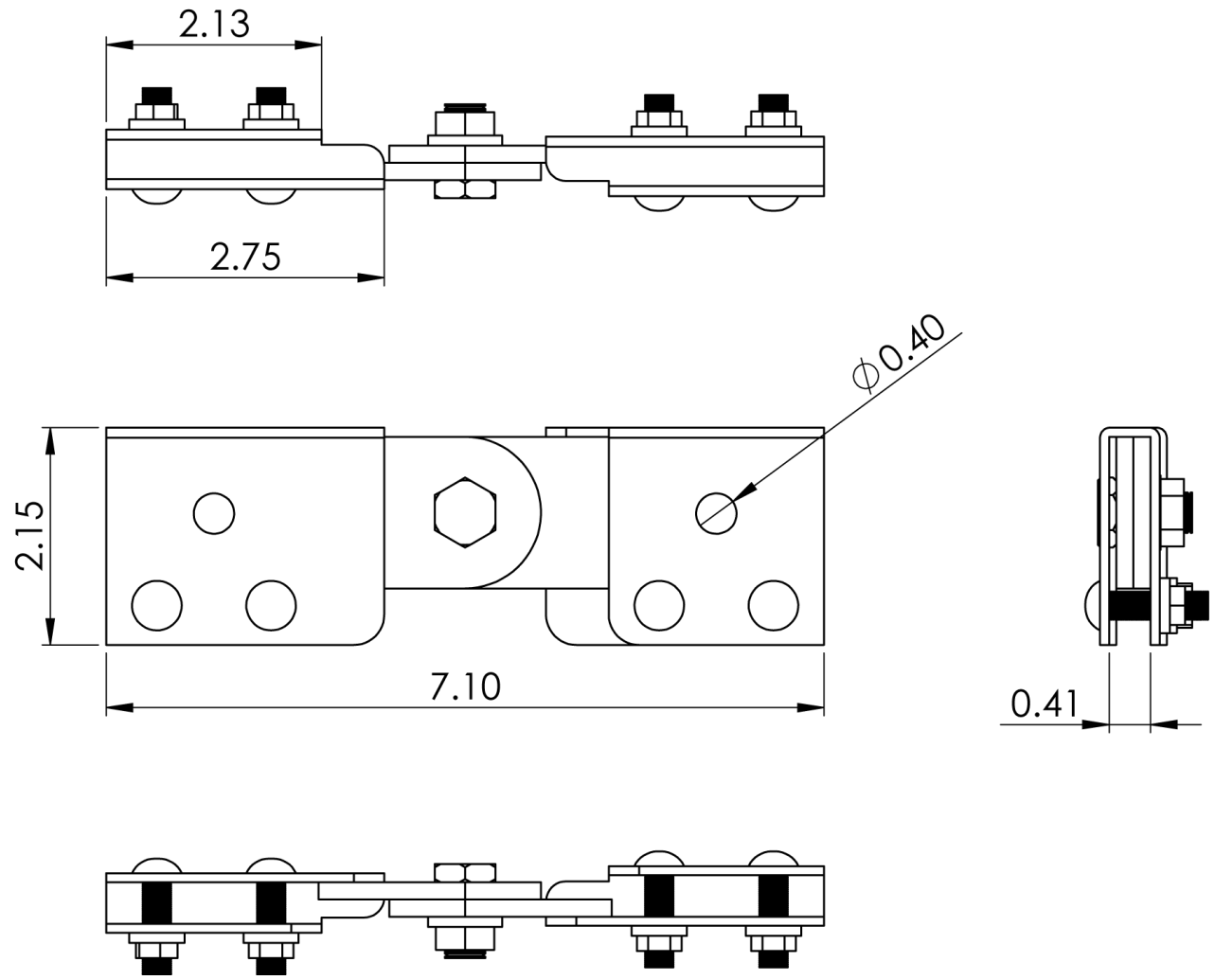
Package Includes:

A. Swivel Butt Splice, 2 Piece



Features and Benefits

- Designed with durable steel construction, black textured powder coated, providing strength and stability for long lasting use
- Enables runway section ends to be adjusted at various angles
- Used with ICCMSLST Ladder Rack Cable Runways



NOTE: UNLESS OTHERWISE SPECIFIED

- Material: 12GA CRS
- Surface Finish: Black Powder Coat

