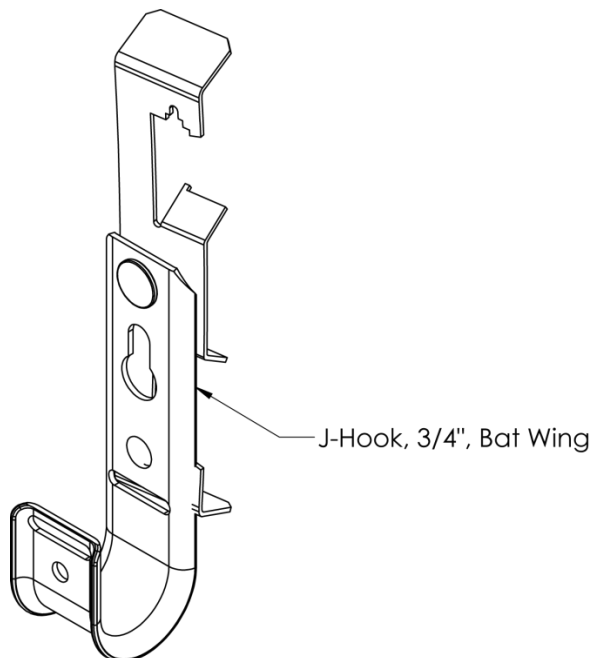


J-Hook, 3/4", Bat Wing, 25 PK

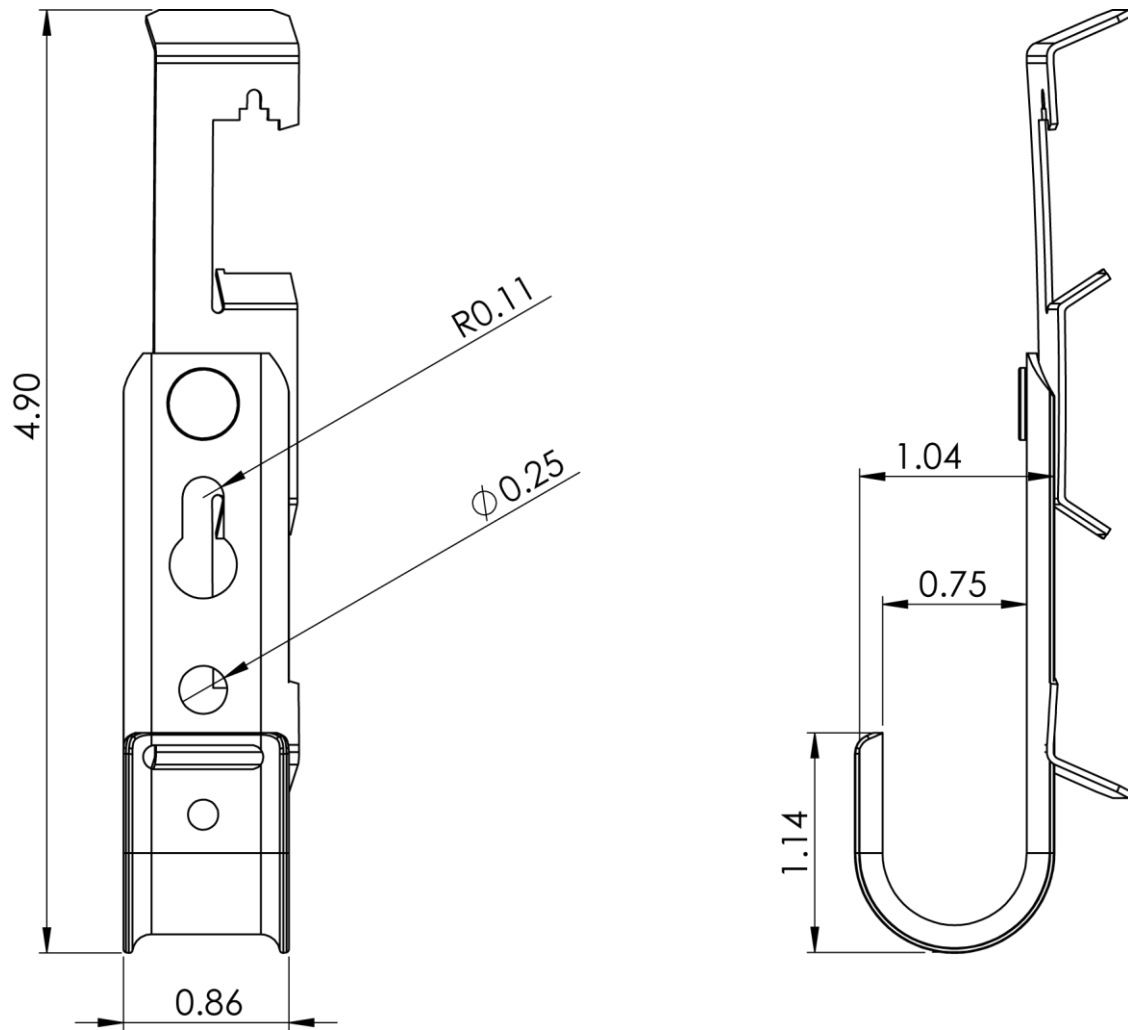


Package Includes

- A. J-Hook, 3/4", Bat wing, **25 Pieces.**
- B. Installation Instructions, **1 Sheet**

Features and Benefits

- Made of high quality galvanized steel for strength and durability
- Accommodates CAT 5e, CAT 6, CAT 6A, coax, and fiber optic cables, and conduit
- Rust resistant zinc finish
- Complies with EIA/TIA requirements for structured cabling systems
- Cost effect alternative to expensive cable tray or ladder runway rack
- Smooth edges to protect cables and facilitate bend radius
- Cables can be pulled through quickly and easily
- Cable anchor points allows users to secure with cable ties
- Stopper tab allow an easier installation onto 12 AWG ceiling wire
- Supports up to 25 lbs. of weight
- Available in bulk 25 pack



Specifications

- Material: 18 gauge galvanized steel
- Finish: Zinc plated J-Hook, and black powder coated batwing

Capacity Reference			
Cable Type	CAT 5e	CAT 6	CAT 6A
Qty	~16	~10	~