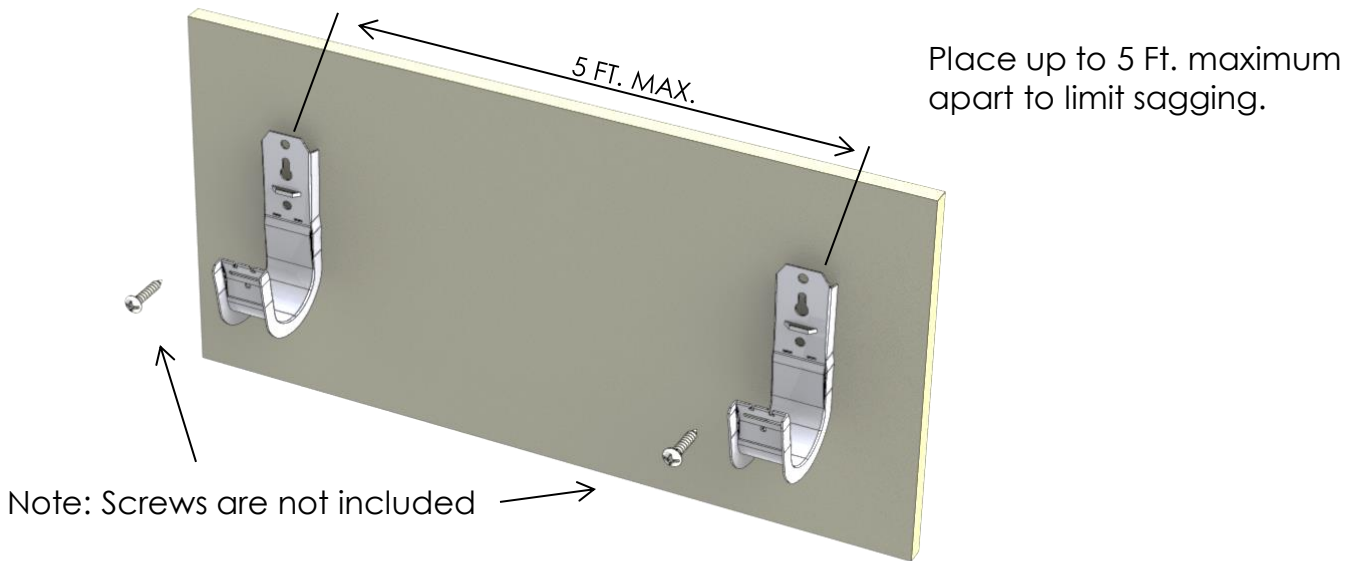


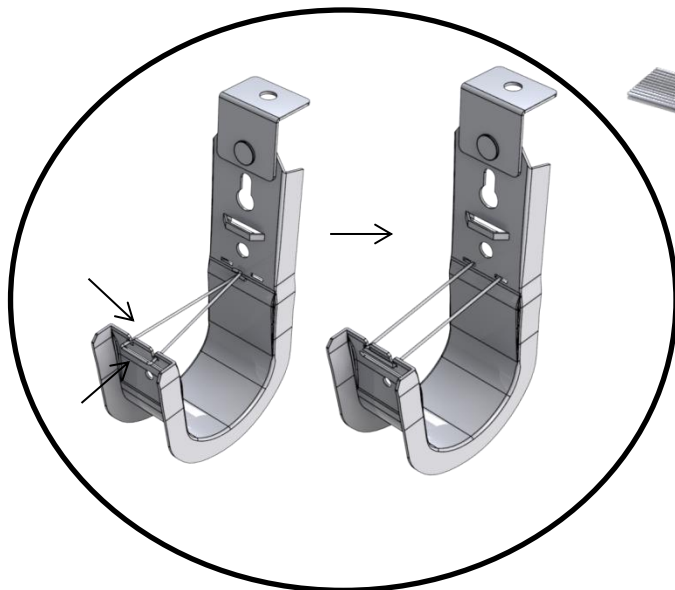


Wall and Ceiling Mount J-Hook, 25 Pack

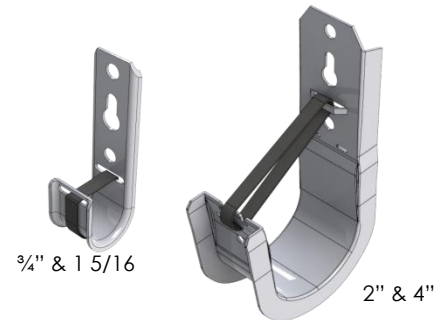
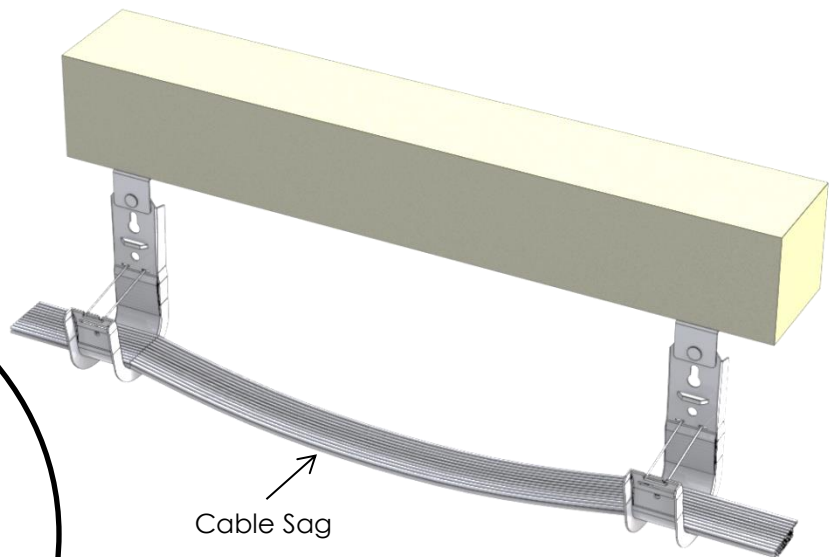
INSTALLATION INSTRUCTIONS



Angled version can be installed under ceiling.



Retainer Clips is included with 2" and 4" J-Hooks.



J-Hook supports Velcro and cable ties.

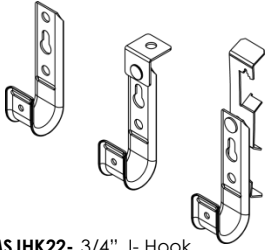
888-ASK-4ICC

csr@icc.com

icc.com

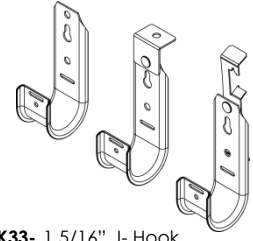
MSR-0487-RevC

Wall and Ceiling Mount J-Hook, 25 Pack



ICCMSJHK22- 3/4" J- Hook
ICCMSJH922- 3/4" J- Hook with 90° Bracket
ICCMSJHW22- 3/4" J-Hook with Bat Wing

Cable Qty.	Cable Type	Cable Qty.
15	4-Pair 24 AWG Ø 0.189	50
10	4-Pair 23 AWG Ø 0.236	30
5	4-Pair 23 AWG Ø 0.340	15

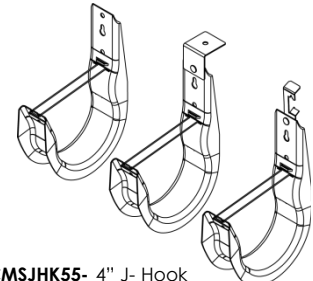


ICCMSJHK33- 1 5/16" J- Hook
ICCMSJH933- 1 5/16" J- Hook with 90° Bracket
ICCMSJHW33- 1 5/16" J- Hook with Bat Wing



ICCMSJHK44- 2" J- Hook
ICCMSJH944- 2" J- Hook with 90° Bracket
ICCMSJHW44- 2" J- Hook with Bat Wing

Cable Qty.	Cable Type	Cable Qty.
80	4-Pair 24 AWG Ø 0.189	160
50	4-Pair 23 AWG Ø 0.236	100
25	4-Pair 23 AWG Ø 0.340	50

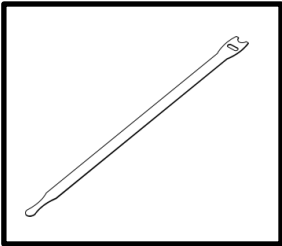


ICCMSJHK55- 4" J- Hook
ICCMSJH955- 4" J- Hook with 90° Bracket
ICCMSJHW55- 4" J- Hook with Bat Wing

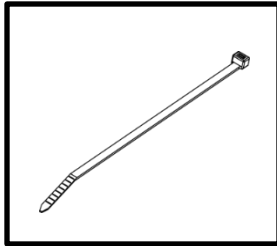
FEATURES & BENEFITS

- Designed with high quality galvanized steel for strength and durability.
- 90° angled bracket allows for the J-Hook to be ceiling mounted and pivot left to right from 0° to 180°.
- Accommodates copper premise, coaxial, fiber optic cables and conduit.
- Retainer clip secures cable in place.
- Complies with EIA/TIA requirements.
- Cable anchor points allow installers to secure cable with cable ties.

OPTIONAL ACCESSORIES

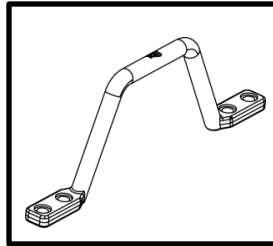


Velcro Ties
ICACSVB8BK- 8" 100PK
ICACSVBTBK- 12" 100PK



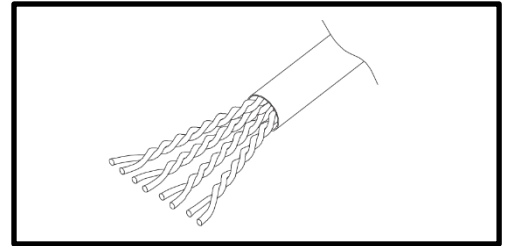
Cable Ties
ICACSL7Kxx*- 7.5", 50lbs, 1000Pk
ICACSS8Kxx*- 8", 18lbs, 1000Pk
ICACSM8Kxx*- 8.5", 40lbs, 1000Pk
ICACSL1Kxx*- 11", 50lbs, 1000Pk

*xx = **BK**-Black, **NL**-Natural



Metal D-Ring
ICCMSDRM02- 2" D-Ring, 100PK
ICCMSDRM03- 3" D-Ring, 100PK
ICCMSDRM05- 5" D-Ring, 100PK

Plastic D-Ring
ICCMSDRP02- 2" D-Ring, 100PK
ICCMSDRP03- 3" D-Ring, 100PK
ICCMSDRP05- 5" D-Ring, 100PK



Premise Cable
ICCABP6Exx1- CAT 6e, 600MHz, UTP, CMP
ICCABR6Exx1- CAT 6e, 600MHz, UTP, CMR
ICCABP6Vxx1- CAT 6, 500MHz, UTP, CMP
ICCABR6Vxx2- CAT 6, 500MHz, UTP, CMR
ICCABP5Exx2- CAT 5e, 350MHz, UTP, CMP
ICCABR5Exx2- CAT 5e, 350MHz, UTP, CMR

xx¹ = **BL**-Blue, **WH**-White, **GY**-Gray,
YL-Yellow, **GN**-Green
xx² = **BL**-Blue, **WH**-White, **GY**-Gray,
YL-Yellow, **GN**-Green

888-ASK-4ICC

csr@icc.com

icc.com