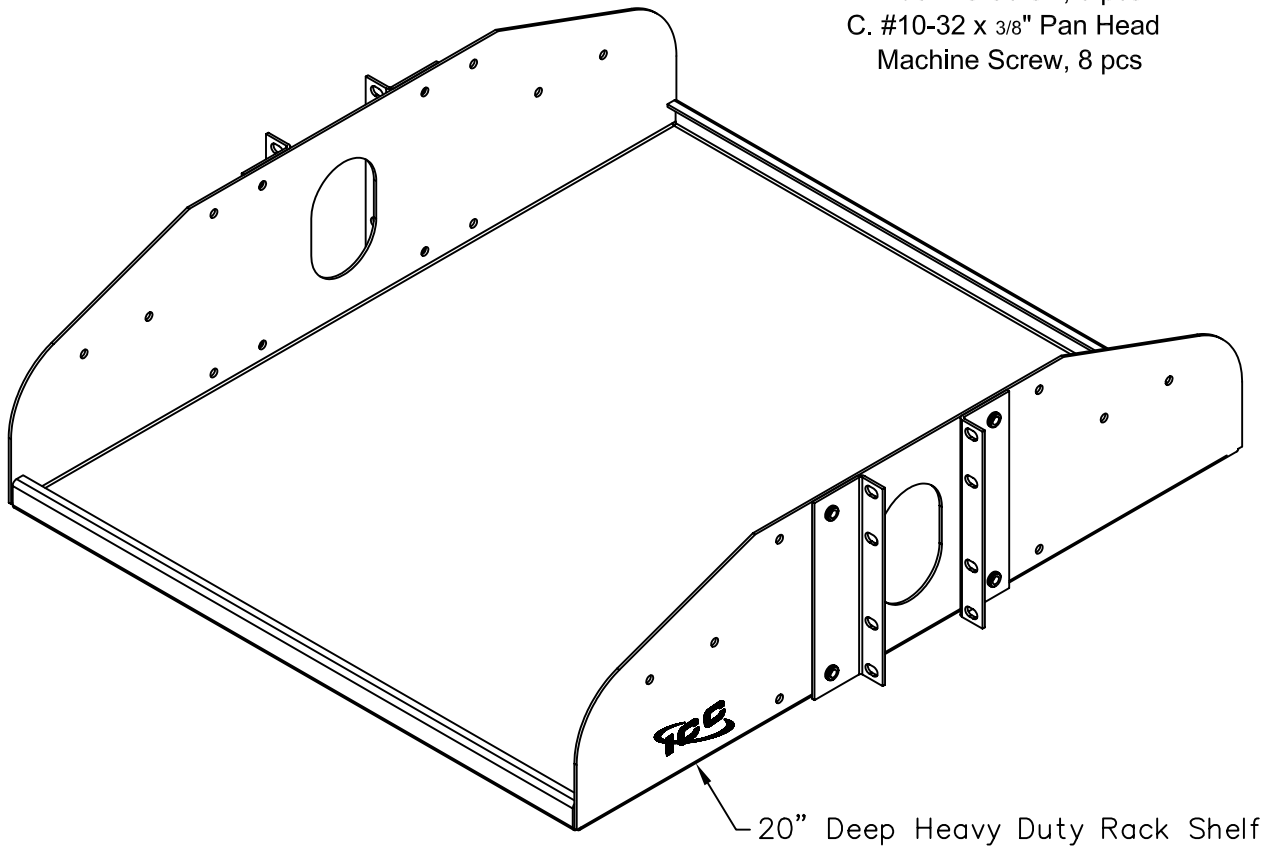


# 20" Deep Heavy Duty Rack Shelf

## PRODUCT SPECIFICATION

### Package includes:


- A. 20" Deep Heavy Duty Rack Shelf, 1 pc
- B. #12-24 x 5/8" Pan Head, Pilot Point Machine Screw, 8 pcs
- C. #10-32 x 3/8" Pan Head Machine Screw, 8 pcs



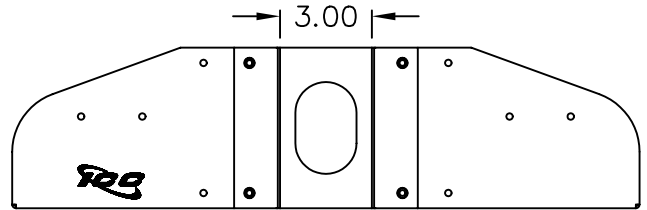
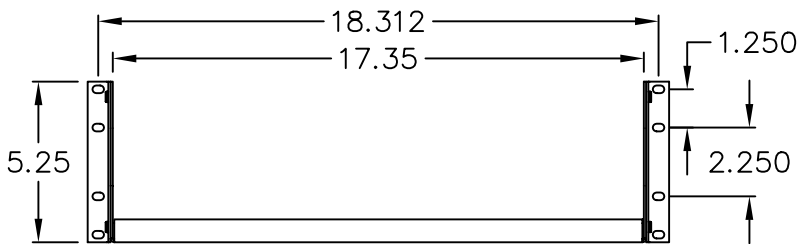
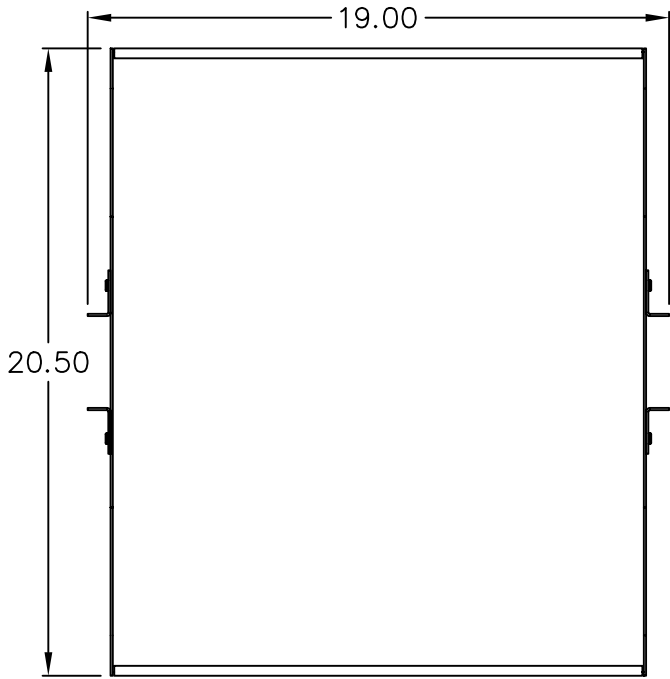
### Features and Benefits:

- Designed with durable steel construction, black powder coated, supports bigger and heavier electronic equipment up to 250 lbs. load capacity
- Adjustable side rail brackets designed to fit all standard 19" racks and cabinets with 3" or 6" deep side rails
- 3 rack mount space (RMS)
- Used with all ICCMS distribution and cable management racks

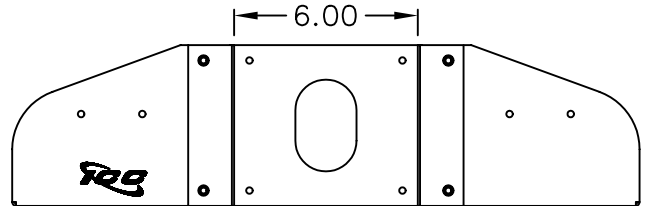
### RACK SHELF, 20" DEEP HEAVY DUTY, 3 RMS

|          |            |          |   |   |
|----------|------------|----------|---|---|
| ITEM NO. | ICCMSHDS20 | REV.     | A | <br><i>PremiumProducts</i><br><i>ProvenPerformance</i><br><i>CompetitivePrices</i> |
| DWG NO.  | PSCMSHDS20 | PAGE NO. | 1 |   |

CUSTOMER CARE / TECHNICAL SUPPORT \* CSR@ICC.COM / 888-ASK-4-ICC (275-4422) \* 14700 Alondra Blvd., La Mirada, CA 90638 \* www.icc.com



FOR 3" DEEP SIDE RAIL RACKS



FOR 6" DEEP SIDE RAIL RACKS

**NOTE: UNLESS OTHERWISE SPECIFIED**

1. MATERIAL: 14 GA CRS
2. SURFACE FINISH: BLACK POWDER COAT

**RACK SHELF, 20" DEEP HEAVY DUTY, 3 RMS**

|          |            |
|----------|------------|
| ITEM NO. | ICCMSHDS20 |
| DWG NO.  | PSCMSHDS20 |

|          |   |
|----------|---|
| REV.     | A |
| PAGE NO. | 2 |



CUSTOMER CARE / TECHNICAL SUPPORT \* CSR@ICC.COM / 888-ASK-4-ICC (275-4422) \* 14700 Alondra Blvd., La Mirada, CA 90638 \* www.icc.com