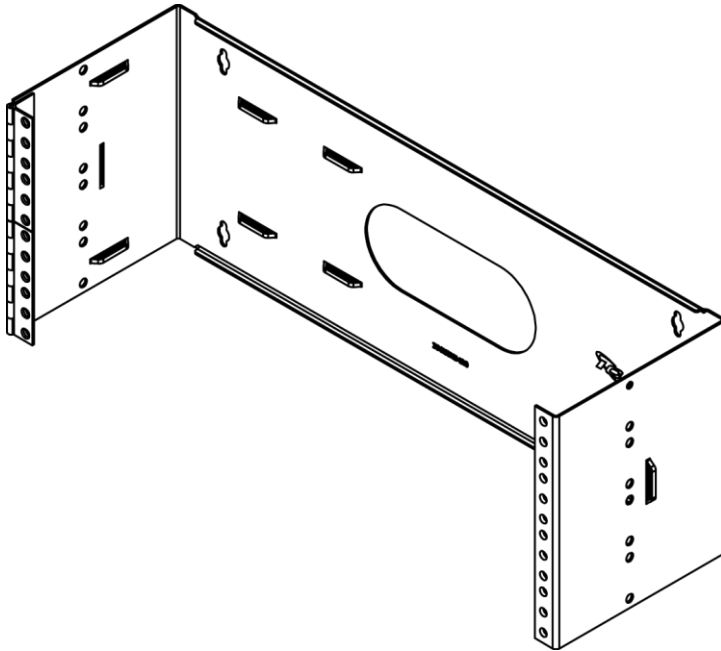


Wall Mount Hinged Bracket, 4 RMS, 2 Pack

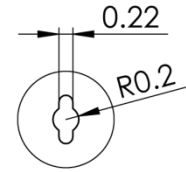
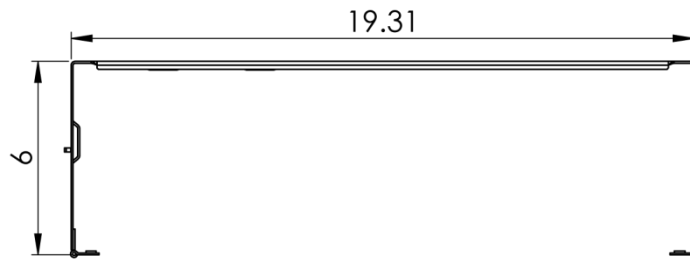
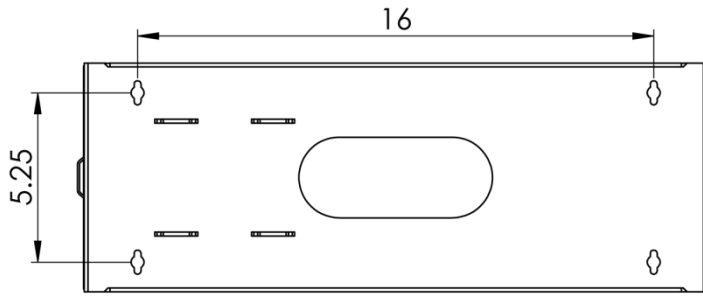


Package Includes:

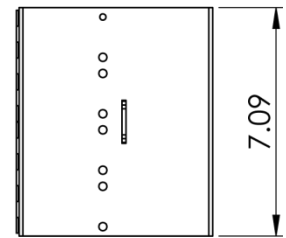
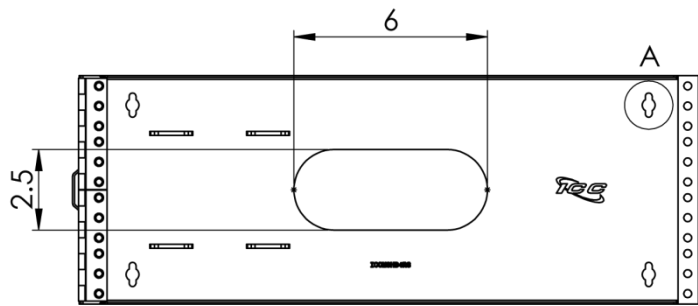
A. Wall Mount Hinged Bracket, **2 Pieces**

Features and Benefits

- Designed with high quality steel, black powder coating, light weight and sturdy
- Designed with a 6" depth making it ideal for installing voice and data equipment such as patch panels and cable management products creating an organized system.
- Up to 40 lbs. weight capacity when propyl secured to surface
- Ideal for installations with space restrictions
- 4 rack mount space (RMS)
- Compatible with cover ICCMSHBCVR
- Tapped holes are 12-24 threads
- EIA/ECA-310-E compliant



DETAIL A
SCALE 2 : 5



NOTE: UNLESS OTHERWISE SPECIFIED

- Material: 16GA CRS
- Finish: Black powder coat

