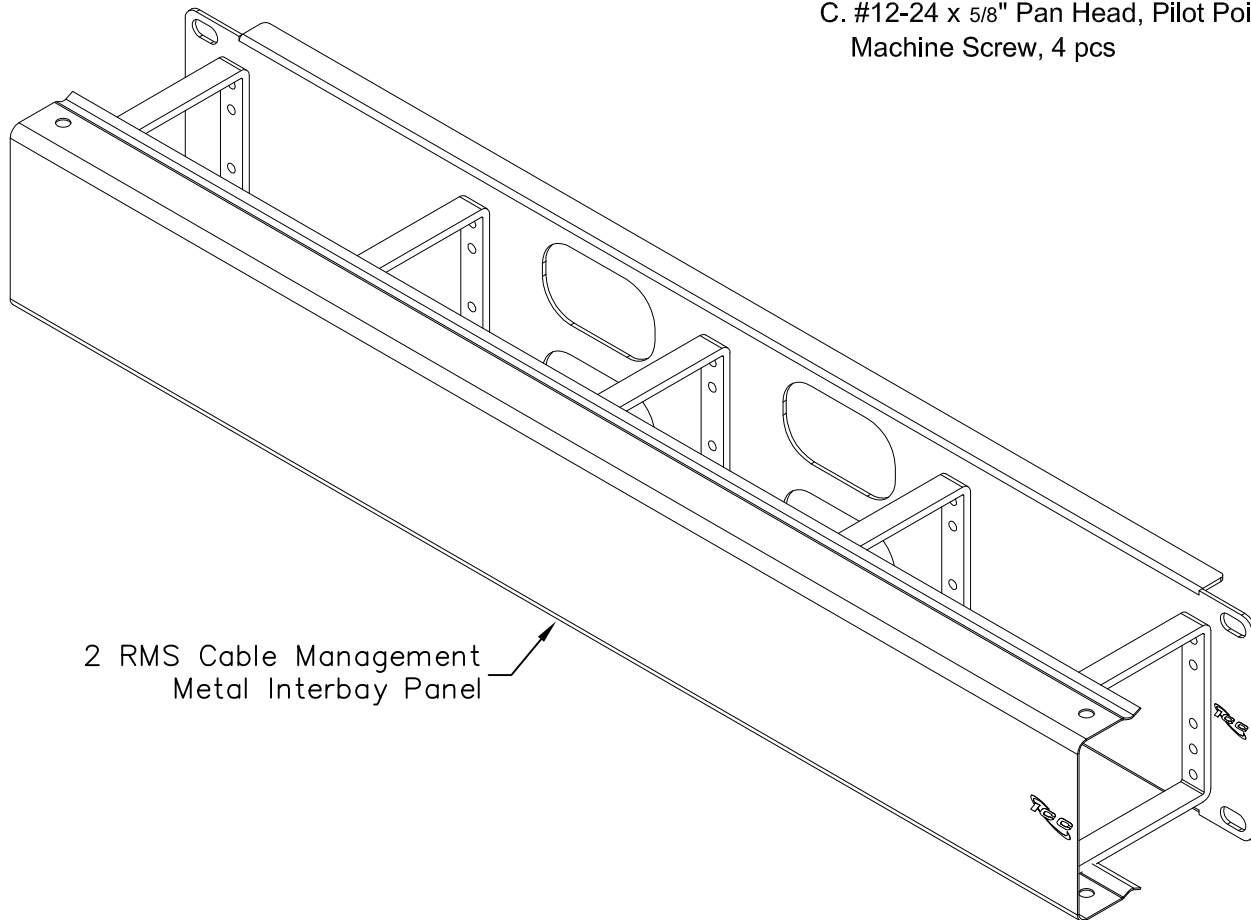


Cable Management Metal Interbay Panel w/Cover, 2 RMS

PRODUCT SPECIFICATION

Package includes:

- A. 2 RMS Cable Management Metal Interbay Panel, 1 pc
- B. Cover, 1 pc
- C. #12-24 x 5/8" Pan Head, Pilot Point Machine Screw, 4 pcs



2 RMS Cable Management Metal Interbay Panel

Features and Benefits:

- Provides flexibility for front cable management with a neat and clean appearance
- Designed with 5 horizontal rings for patch cord organization
- Designed to fit all standard 19" racks and cabinets
- Panel openings for rear cable access
- 2 rack mount space (RMS)
- Used with all ICCMS racks and brackets

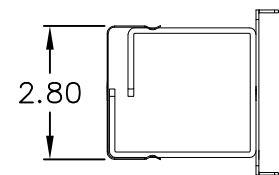
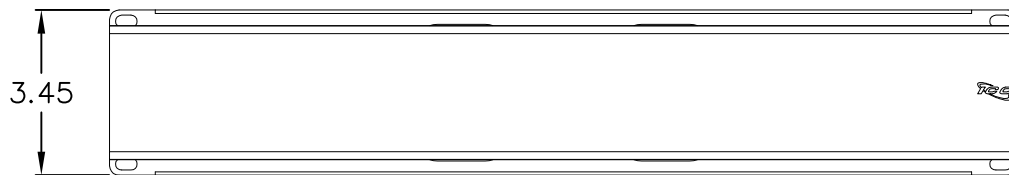
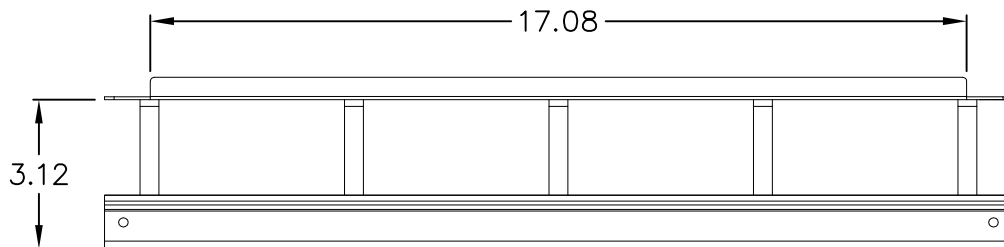
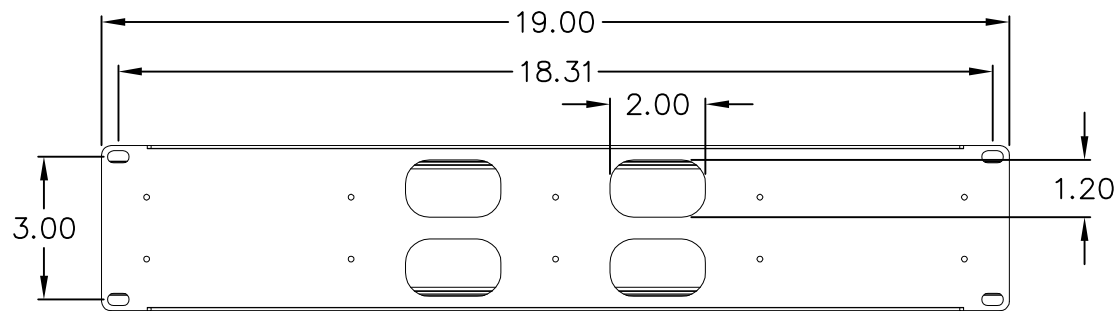
PANEL, CABLE MGMT METAL RING & COVER, 2U

| | |
|----------|------------|
| ITEM NO. | ICCMSCMPK2 |
| DWG NO. | PSCMSCMPK2 |

| | |
|----------|---|
| REV. | A |
| PAGE NO. | 1 |




CUSTOMER CARE / TECHNICAL SUPPORT * CSR@ICC.COM / 888-ASK-4-ICC (275-4422) * 2100 E. Valencia Dr, Suite D, Fullerton, CA 92831 * www.icc.com



NOTE: UNLESS OTHERWISE SPECIFIED

- 1. MATERIAL:
 - A. PANEL: 16 GA CRS
 - B. RING: 11 GA CRS, 3.0" X 2.7" X .125" STRIP
 - C. COVER: 25 GA CRS
- 2. SURFACE FINISH: BLACK TEXTURED POWDER COAT

| | | |
|---|------------|--|
| PANEL, CABLE MGMT METAL RING & COVER, 2U | |  PremiumProducts ProvenPerformance CompetitivePrices |
| ITEM NO. | ICCMSCMPK2 | |
| DWG NO. | PSCMSCMPK2 | PAGE NO. 2 |

CUSTOMER CARE / TECHNICAL SUPPORT * CSR@ICC.COM / 888-ASK-4-ICC (275-4422) * 2100 E. Valencia Dr, Suite D, Fullerton, CA 92831 * www.icc.com