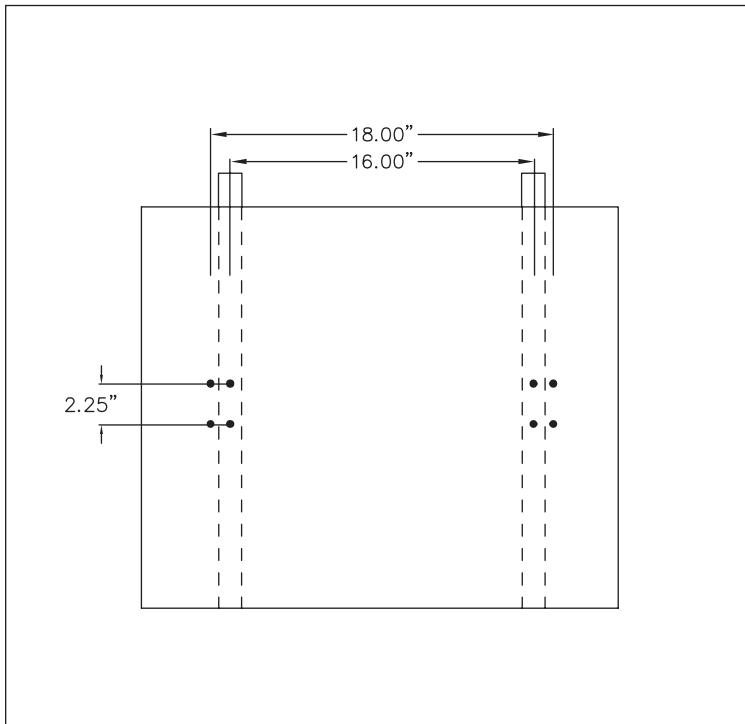


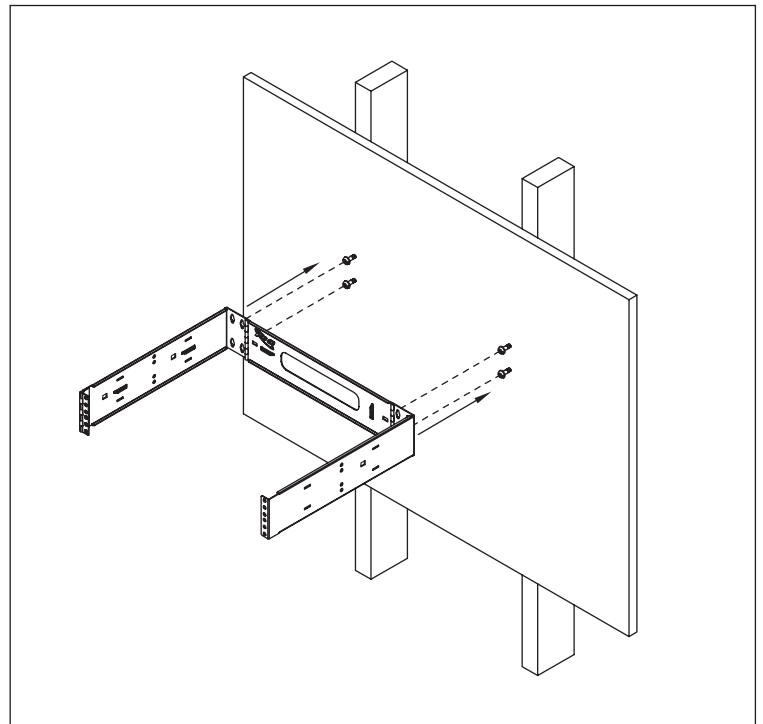


# EZ-FOLD™ Wall Mount Bracket, 2 RMS

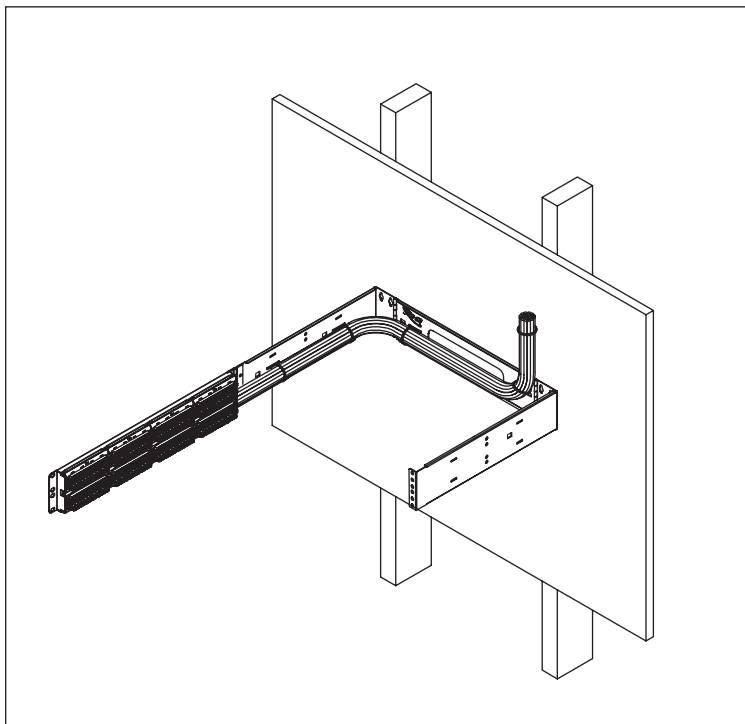
## I N S T A L L A T I O N I N S T R U C T I O N S



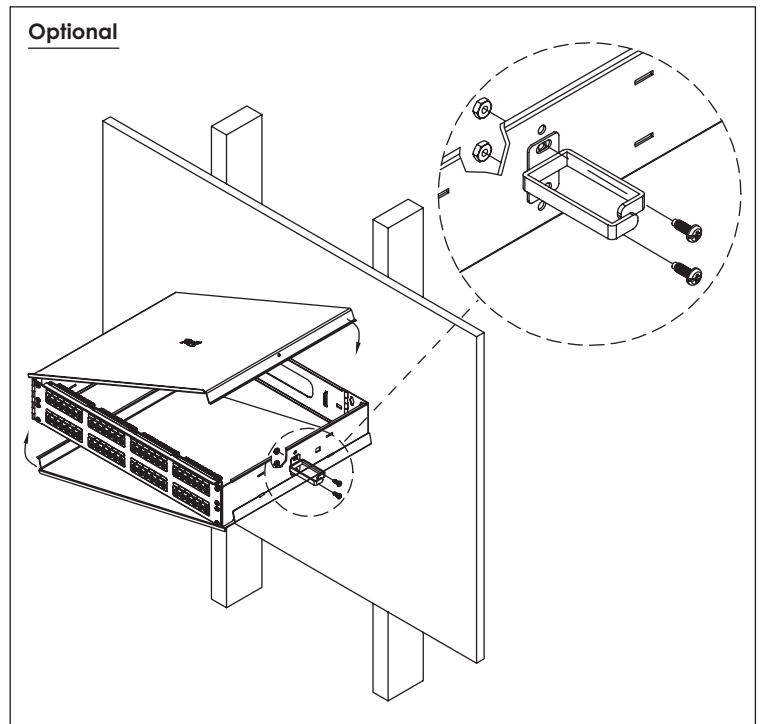
**Step 1.** Pre-drill screws onto the wall surface, but do not tighten completely.  
• Use inner mounting holes positioned at 16.00" to secure bracket to studs.  
• Use outer mounting holes positioned at 18.00" to secure bracket to board.  
*Note: Screws not included. It is recommended to use a level for accurate mounting.*



**Step 2.** Align mounting holes to the semi-tighten screws and mount the bracket. Tighten all screws securely before mounting equipment.



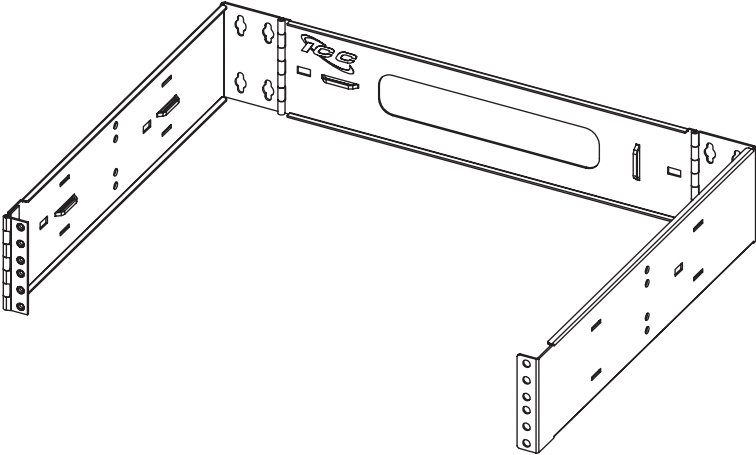
**Step 3.** Route and secure cable bundle(s) to the bracket as shown.



### Optional

1. Complete installation by installing covers on top and bottom of bracket.  
2. Metal rings can be mounted along the sides of the bracket for cable management. *Note: To secure the rings, use #12-24 machine screw nut with lock washer or #12-24 flange nut. (Not sold by ICC)*

# EZ-FOLD™ Wall Mount Bracket, 2 RMS

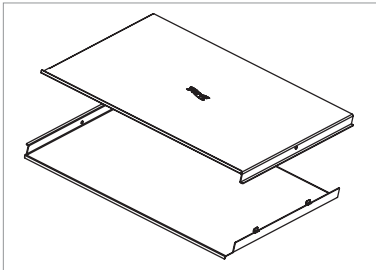


| Item No.   | Description                   | Rack Mount Spaces | Weight Capacity |
|------------|-------------------------------|-------------------|-----------------|
| ICCMSABRS2 | 19.30" L X 3.50" H X 15.00" D | 2                 | 30 lbs.         |

## F E A T U R E S & B E N E F I T S

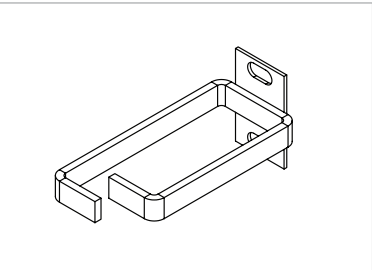
- Designed with heavy duty steel supporting up to 30 lbs. of equipment
- 15" depth for network and phone equipments
- Cable tie anchors throughout for organizing cables
- Compatible with standard 19" width equipment and EIA-310-D hole pattern

## O P T I O N A L A C C E S S O R I E S



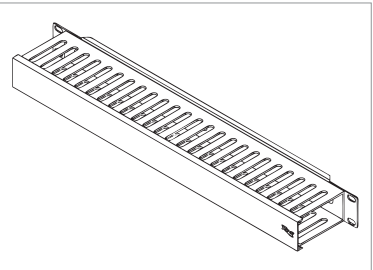
**EZ-FOLD Wall Mount Bracket Covers**  
**ICCMSABRSC** Top and bottom covers

- Mounts on top and bottom
- Helps protect equipment and cables
- Strong steel construction



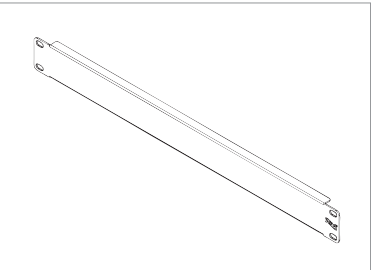
**Metal Cable Management Rings, 10 Pk**  
**ICCMSCMPT1** 1.70" Single, Vertical  
**ICCMSCMPT2** 3" Single, Vertical

- Metal construction for durability
- Single sided rings



**Single Horizontal Finger Ducts**  
**ICCMSCMA41** 1.58" H x 3.15" D, 1 RMS  
**ICCMSCMA42** 3.15" H x 3.15" D, 2 RMS

- For front cable management
- Durable steel base with plastic fingers
- Includes slide-on cover



**Blank Panels**  
**ICCMSCMPB1** 1.75"H x 19"W, 1 RMS  
**ICCMSCMPB2** 3.50"H x 19"W, 2 RMS  
**ICCMSCMPB3** 5.25"H x 19"W, 3 RMS

- Fills empty spaces between mounted equipment
- Strong steel construction