



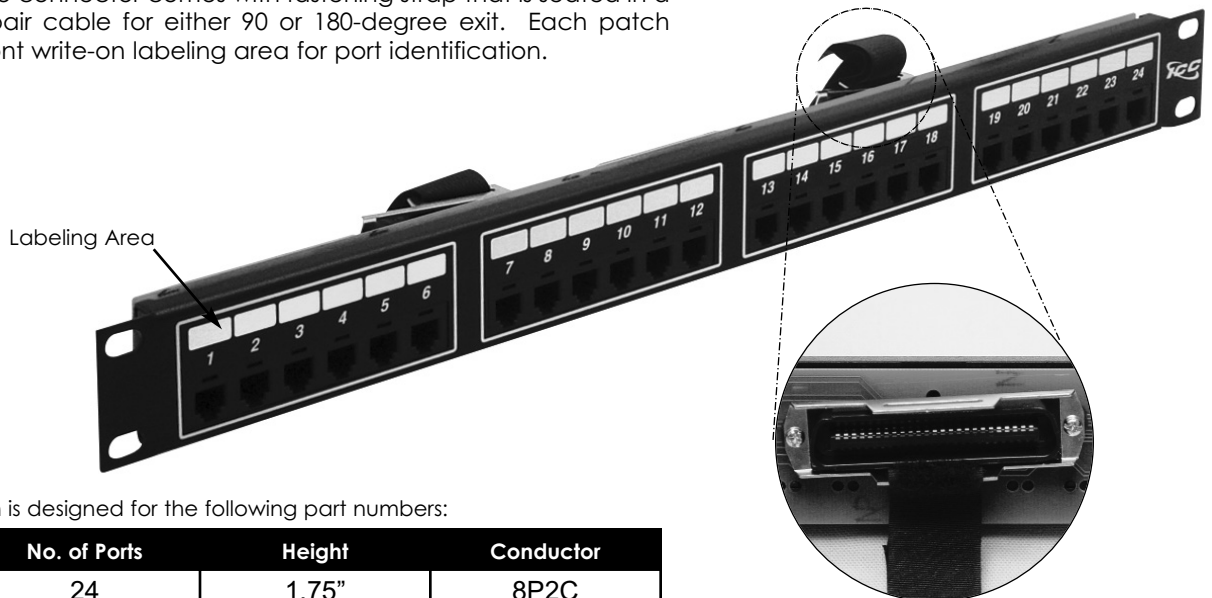
# Telco Patch Panels

## INSTALLATION INSTRUCTIONS

### ICC Voice Grade Telco Patch Panels

ICC's new Telco-style 24 and 48-port patch panels consisting of 2 and 4-wire RJ-45 USOC-wiring scheme are ideal for PBX phone systems. Each patch panel connects to 24 or 48 RJ-45 patch cords on the front and link phone system with 50-pin Telco connectors on the back.

Each 50-pin male Telco connector comes with fastening strap that is seated in a socket to secure 25-pair cable for either 90 or 180-degree exit. Each patch panel also features front write-on labeling area for port identification.



Rear Telco Connector

This installation instruction is designed for the following part numbers:

Item Number	No. of Ports	Height	Conductor
ICMPP24T2C	24	1.75"	8P2C
ICMPP48T2C	48	3.50"	8P2C
ICMPP24T4C	24	1.75"	8P4C
ICMPP48T4C	48	3.50"	8P4C

### Purchase accessories for performance and value!

ICC recommends the following accessories below for fast and easy installations.



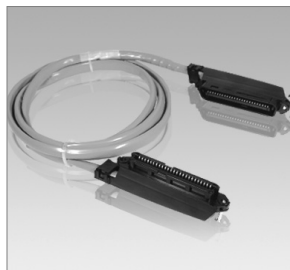
**25-Pair Telco Cable**  
**ICPCSTMMxx\***  
 Male to male, 50-Pin Telco connectors, CAT 3 Telco cable

\*xx = 05, 10, 15, 25, 50, 75, 100 feet in length  
 Note: To order 100 ft. use 00 for xx



**25-Pair Telco Cable**  
**ICPCSTFFxx\***  
 Female to female, 50-Pin Telco connectors, CAT 3 Telco cable

\*xx = 05, 10, 15, 25, 50, 75, 100 feet in length  
 Note: To order 100 ft. use 00 for xx



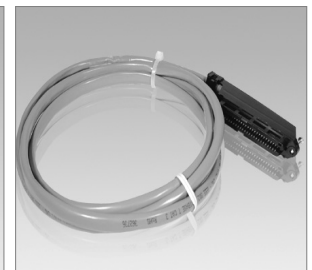
**25-Pair Telco Cable**  
**ICPCSTFMxx\***  
 Female to male, 50-Pin Telco connectors, CAT 3 Telco cable

\*xx = 05, 10, 15, 25, 50, 75, 100 feet in length  
 Note: To order 100 ft. use 00 for xx



**25-Pair Telco Cable**  
**ICPCSTMBxx\***  
 Male 50-Pin Telco connector to blunt, CAT 3 Telco cable

\*xx = 05, 10, 15, 25 feet in length



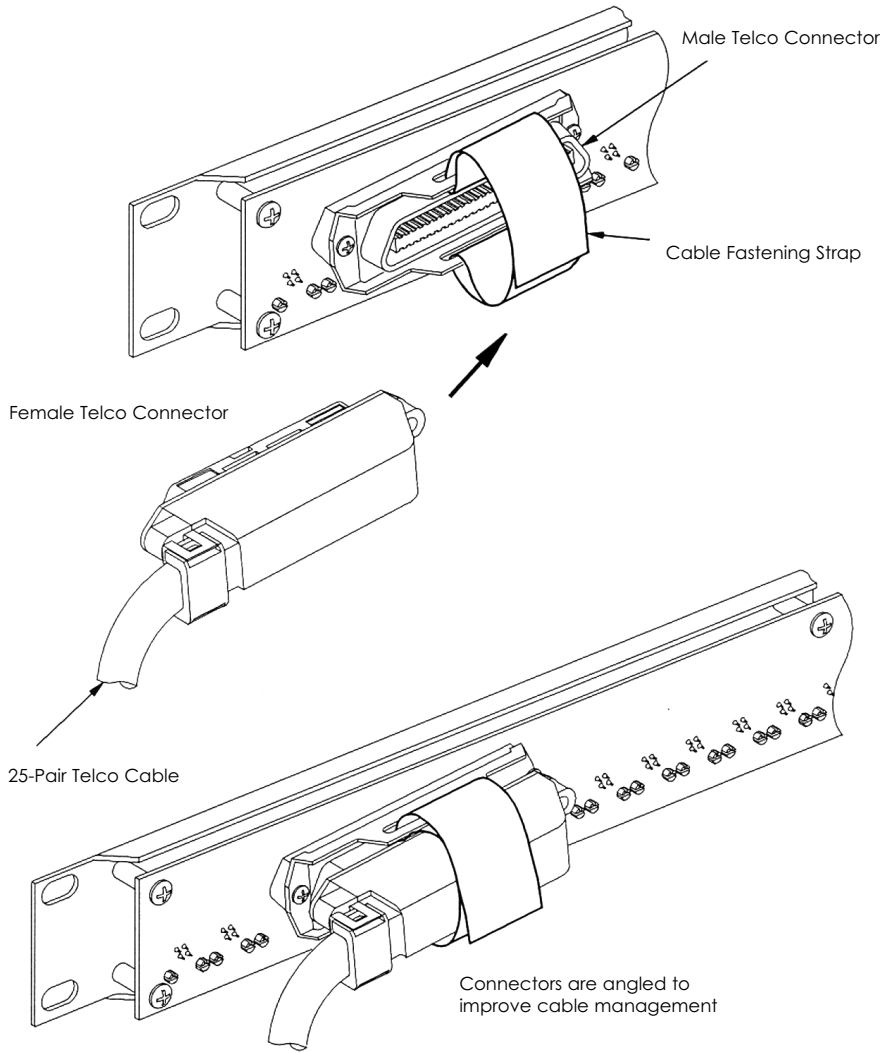
**25-Pair Telco Cable**  
**ICPCSTFBxx\***  
 Female 50-Pin Telco connector to blunt, CAT 3 Telco cable

\*xx = 05, 10, 15, 25 feet in length

Premium**Products** • Proven**Performance** • Competitive**Prices...ICC**

Technical Support **888-ASK-4-ICC (275-4422)** • E-mail: [csr@icc.com](mailto:csr@icc.com) • Go on-line: [www.icc.com](http://www.icc.com)

# Installation Instructions



## Step 1:

Loosen cable fastening strap without detaching it from metal bracket and remove dust cover from male Telco connector.

## Step 2:

Insert female Telco connector into cable fastening strap.

## Step 3:

Plug female Telco connector into male Telco connector.

## Step 4:

Tighten cable fastening strap to secure the connectors.

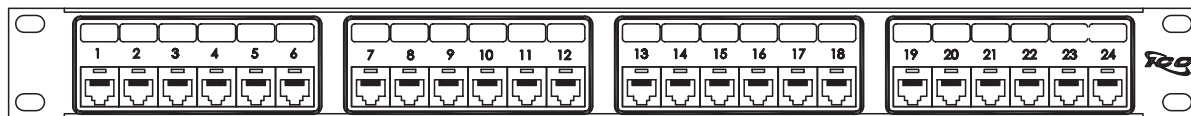
### Wiring Chart 8P2C

	TELCO 50PIN 8P2C		
RJ45	1	4	5
PORT 1	1	4	5
	26	5	
PORT 2	2	4	5
	27	5	
PORT 3	3	4	5
	28	5	
PORT 4	4	4	4
	29	5	
PORT 5	5	4	4
	30	5	
PORT 6	6	4	4
	31	5	
PORT 7	7	4	4
	32	5	
PORT 8	8	4	4
	33	5	
PORT 9	9	4	4
	34	5	
PORT 10	10	4	4
	35	5	
PORT 11	11	4	4
	36	5	
PORT 12	12	4	4
	37	5	
PORT 13	13	4	4
	38	5	
PORT 14	14	4	4
	39	5	
PORT 15	15	4	4
	40	5	
PORT 16	16	4	4
	41	5	
PORT 17	17	4	4
	42	5	
PORT 18	18	4	4
	43	5	
PORT 19	19	4	4
	44	5	
PORT 20	20	4	4
	45	5	
PORT 21	21	4	4
	46	5	
PORT 22	22	4	4
	47	5	
PORT 23	23	4	4
	48	5	
PORT 24	24	4	4
	49	5	
-	25	5	OPEN
-	50		OPEN

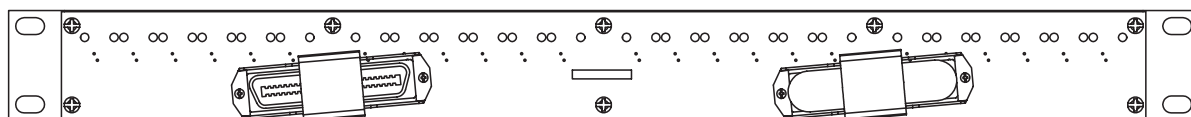
### Wiring Chart 8P4C

	TELCO 50PIN 8P4C		
RJ45	27	3	4
PORT 1	27	3	4
	26	5	6
PORT 2	2	4	5
	29	3	4
	3	4	5
	28	5	6
	4	4	6
PORT 3	31	3	3
	5	4	5
	30	5	6
	6	4	6
PORT 4	33	3	3
	7	4	4
	32	5	6
	8	4	6
PORT 5	35	3	3
	9	4	4
	34	5	6
	10	4	6
PORT 6	37	3	3
	11	4	4
	36	5	6
	12	4	6
PORT 7	39	3	3
	13	4	4
	38	5	6
	14	4	6
PORT 8	41	3	3
	15	4	4
	40	5	6
	16	4	6
PORT 9	43	3	3
	17	4	4
	42	5	6
	18	4	6
PORT 10	45	3	3
	19	4	4
	44	5	6
	20	4	6
PORT 11	47	3	3
	21	4	4
	46	5	6
	22	4	6
PORT 12	49	3	3
	23	4	4
	48	5	6
	24	4	6
-	25	5	OPEN
-	50		OPEN

	TELCO 50PIN 8P4C		
RJ45	27	3	4
PORT 13	27	3	4
	26	5	6
PORT 14	29	3	3
	3	4	5
	28	5	6
	4	4	6
PORT 15	31	3	3
	5	4	5
	30	5	6
	6	4	6
PORT 16	33	3	3
	7	4	4
	32	5	6
	8	4	6
PORT 17	35	3	3
	9	4	4
	34	5	6
	10	4	6
PORT 18	37	3	3
	11	4	4
	36	5	6
	12	4	6
PORT 19	39	3	3
	13	4	4
	38	5	6
	14	4	6
PORT 20	41	3	3
	15	4	4
	40	5	6
	16	4	6
PORT 21	43	3	3
	17	4	4
	42	5	6
	18	4	6
PORT 22	45	3	3
	19	4	4
	44	5	6
	20	4	6
PORT 23	47	3	3
	21	4	4
	46	5	6
	22	4	6
PORT 24	49	3	3
	23	4	4
	48	5	6
	24	4	6
-	25	5	OPEN
-	50		OPEN



Front View



Rear View

PremiumProducts • ProvenPerformance • CompetitivePrices...ICC

Technical Support 888-ASK-4-ICC (275-4422) • E-mail: [csr@icc.com](mailto:csr@icc.com) • Go on-line: [www.icc.com](http://www.icc.com)