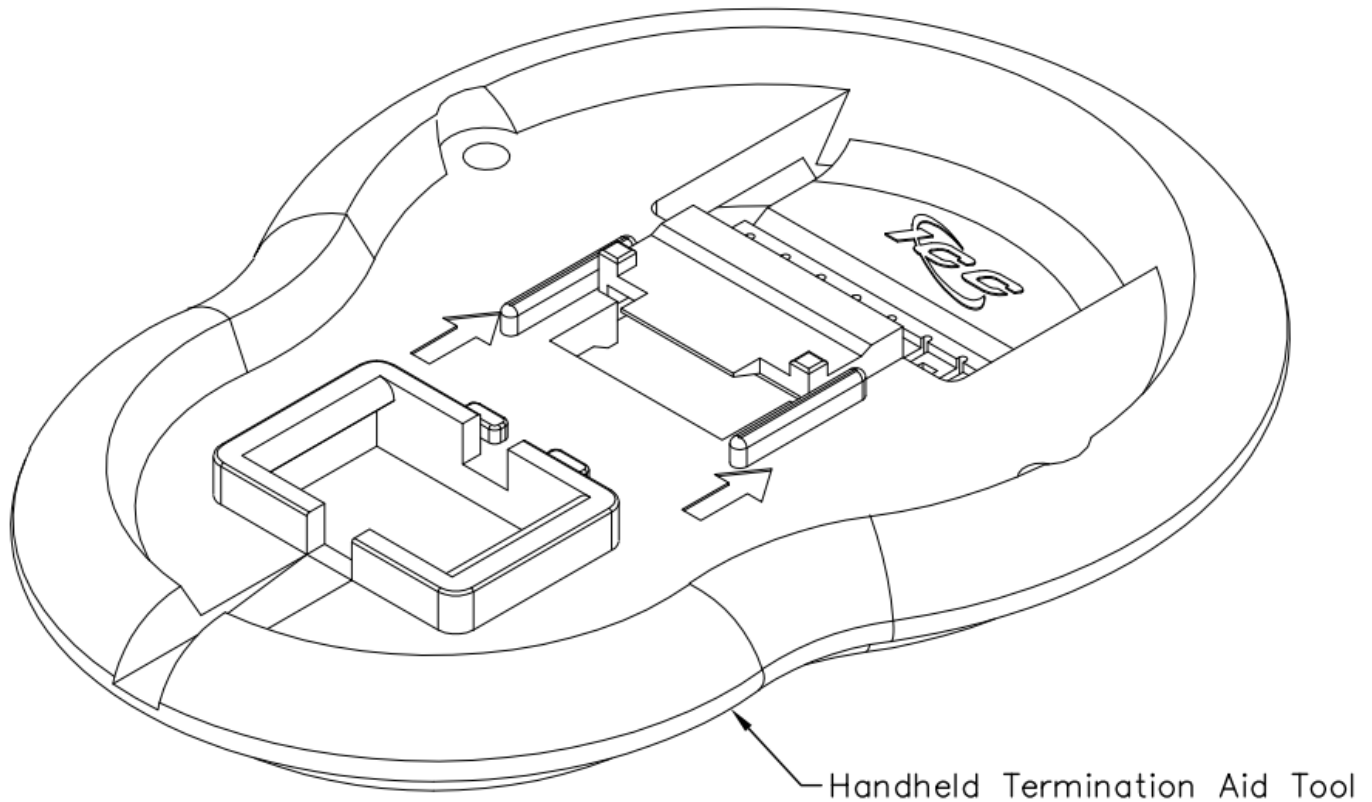


Handheld Termination Aid Tool

Package Includes:

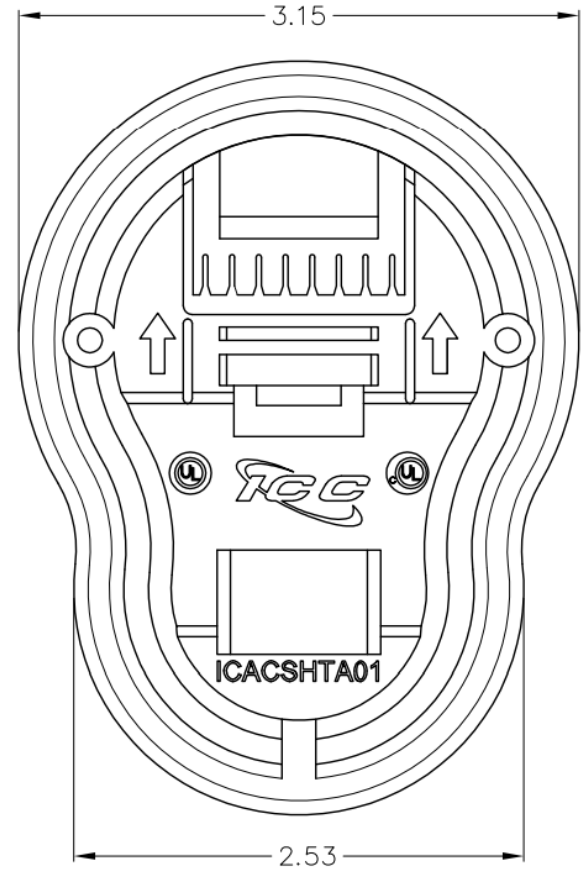
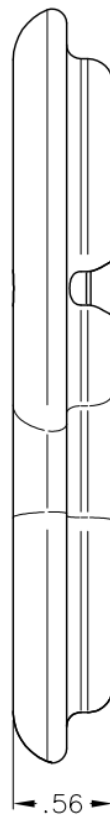
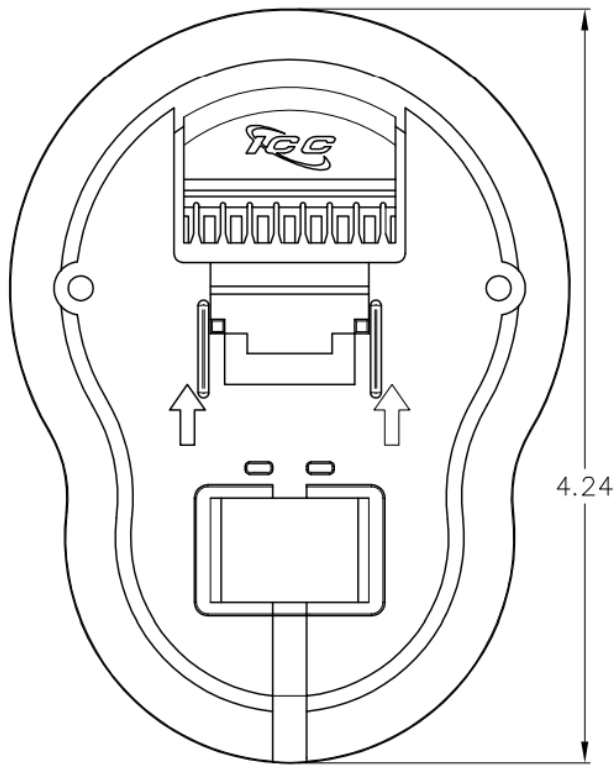
- A. Handheld Termination Aid Tool, 1 PC
- B. Instructions, 1 sheet



Features and Benefits

- Designed to provide a base for fast, reliable termination and reduce the effort required for terminations
- Prevents modules or plugs from slipping out of hands, or off the work surface, prior to termination
- Used with all IC107 CAT 6, CAT 5e, voice modules, and ICMP110 patch plugs
- Instructions #MSR-0278 included
- ANSI/TIA-568-C and UL 1863 compliant
- Country Of Origin: Taiwan
- TAA Compliant

Product Specification



NOTE: UNLESS OTHERWISE SPECIFIED

1. MATERIAL ABS, UL 94V-0
2. SURFACE FINISH: MATTED
3. COLOR: RED