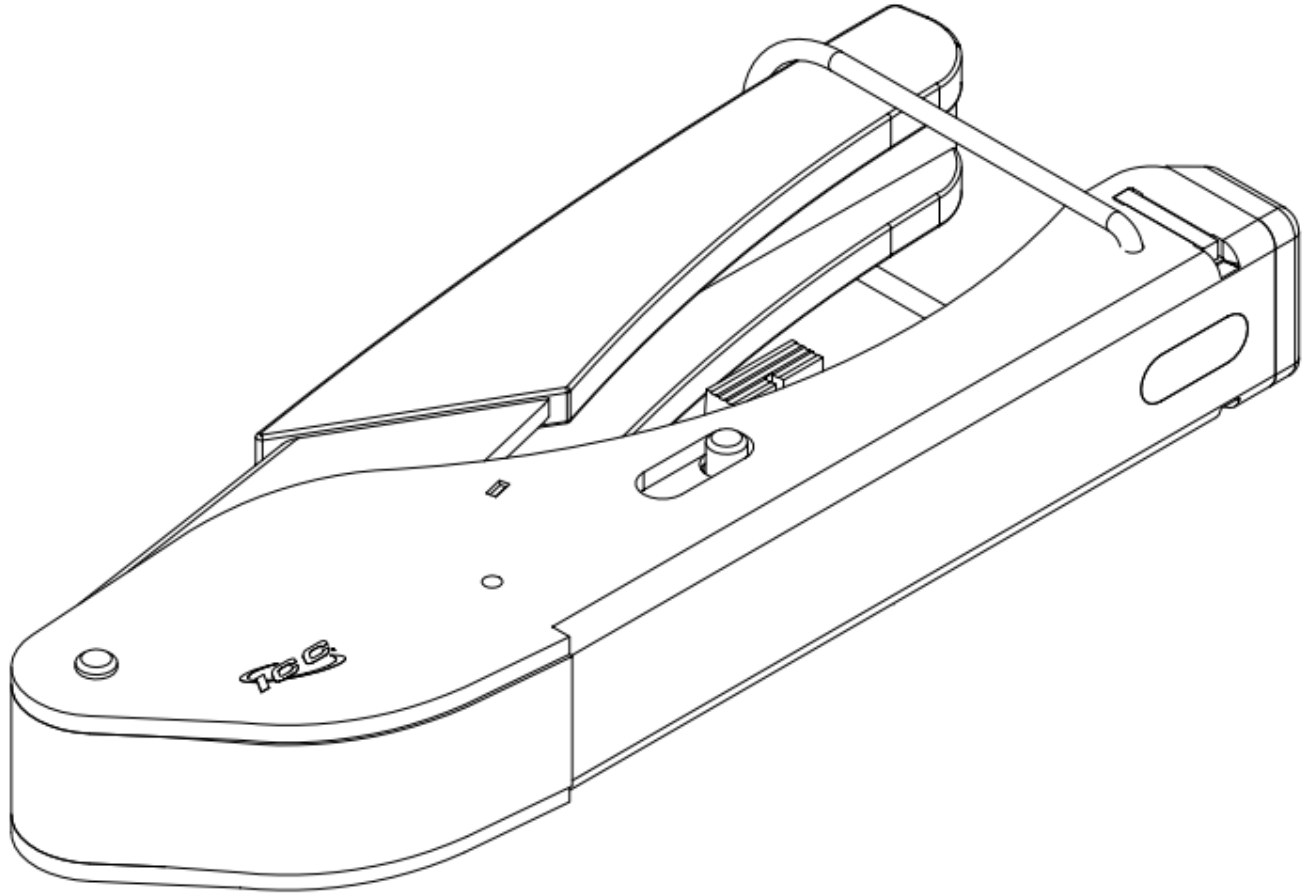


# Compression Tool

## Package Includes:

A. Compression Tool, 1 PC



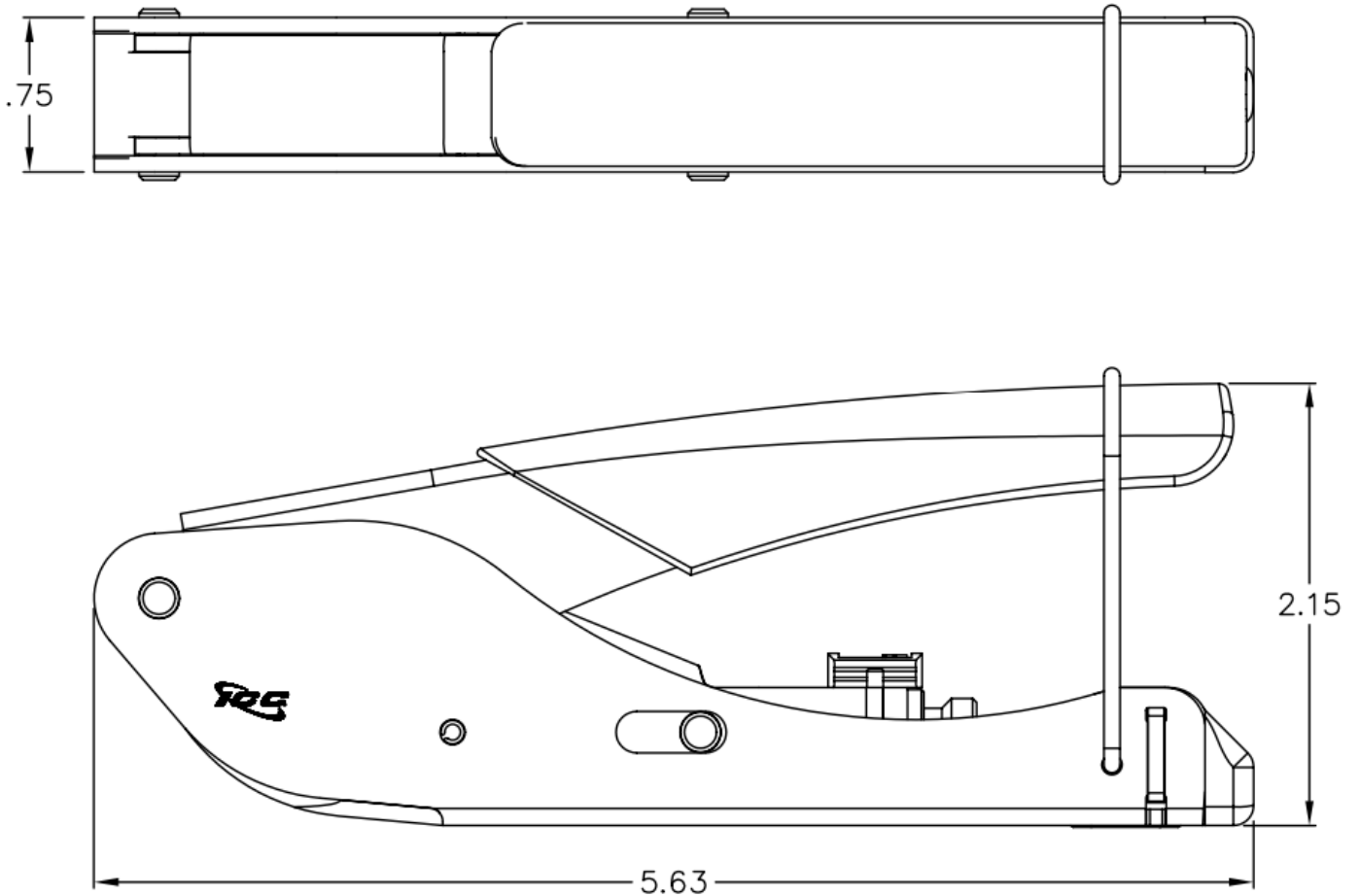
## Features and Benefits

- Provides a much tighter fit after compression than traditional crimp tools and aids in proper and consistent termination, reducing the potential for connector damage
- Avoids over-crimping by pressing the connector vertically onto the cable without causing bends and distortion to the waveguide cavity, thus improving signal quality and preventing connectivity degradation over time
- Ergonomic design providing a firm comfortable grip and preventing slippage during compression
- Steel body constructions for added strength and durability
- Suitable for use with RG59, RG6, and RG6 quad cables
- Used with all ICRDS F-type, RCA, and BNC connectors
- Country Of Origin: Taiwan
- TAA Compliant

Part No: ICACSCT01E  
Rev: B  
Page 1 of 2

| 888-ASK-4ICC | [icc.com](http://icc.com) | [csr@icc.com](mailto:csr@icc.com) |





**NOTE: UNLESS OTHERWISE SPECIFIED**

1. MATERIAL:
  - A. BODY: MIDDLE CARBON STEEL
  - B. COVER: ABS
  - C. HANDLE: PVC COATING
2. COLOR: BLUE HANDLE
3. COMPRESSED DISTANCE:
  - A. F-TYPE: .8"
  - B. RCA: 1.2"
  - C. BNC: 1.2"