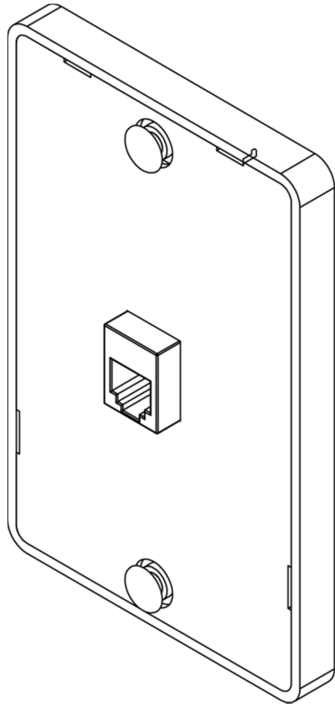


# 6P6C Telephone Wall Plate



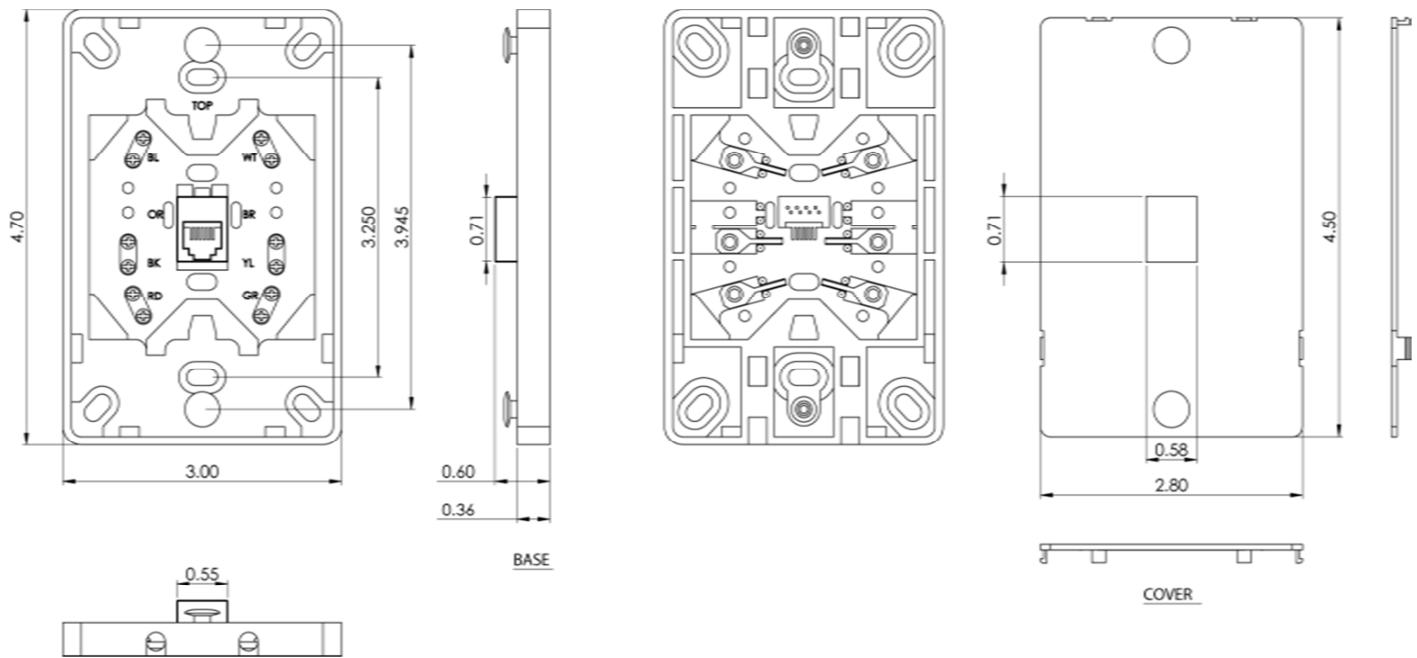
## Package Includes

- A. Telephone Wall Plate Cover, **1 Piece**.
- B. 6P6C Telephone Wall Plate Base, **1 Piece**
- C. Mounting Standoff, **2 Pieces**
- D. #6-32 x 3/4" Oval Head, Countersink, Deep Slotted Drive, Machine Screw, **2 Piece**

## Features and Benefits

- Configured to fit standard single gang outlet box
- Designed for all voice connectivity to the work area for commercial or residential applications
- Provides with traditional screw down terminals for voice connectivity on the rear
- Rugged and durable construction
- Provides with two mounting standoffs for wall mount telephone
- ANSI/TIA-568-C and UL 1863 Compliant
- Country of Origin: Taiwan
- TAA Compliant

## Product Specification



### Specifications

- Material: & Finish:
  - Telephone Wall Plate Cover: ABS UL-94V-0
  - 6P6C Telephone Wall Plate Base: ABS UL-94V-0
  - Color: XX: IV-Ivory, WH-White
  - Spring Wire Contacts: Phosphor Bronze Gold Plating
    - Over 100 Micro inch nickel
    - 1.27 microns/50 micro inch min gold plating
  - Wire leads: 26 AWG stranded wire
- Mechanical:
  - Total mating force: 750 grams for 6 wires lead
  - Retention: 17 LBS between jack and plug
  - Crump tensile strength: 4.0-500 LBS
- Electrical
  - Current Rating: 1.5 AMP Max
  - Dielectric Withstanding Voltage: 1,000 volts RMS, 60 Hz
  - Insulation Resistance: > 10 M-Ohms

WIRING DIAGRAM

JACK POSITION	WIRE COLOR 6 COND.
1	WHITE
2	BLACK
3	RED
4	GREEN
5	YELLOW
6	BLUE