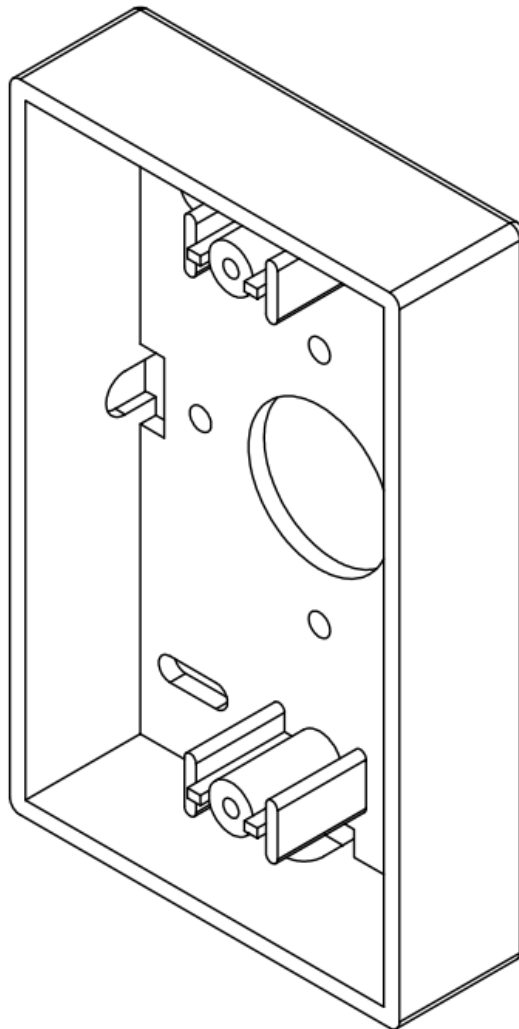


Single Gang Low Profile Mounting Box

Package Includes:

- A. Single Gang Low-Profile Mounting Box, 1 PC
- B. Double Sided Adhesive Pad, 1 PC
- C. #6-32 x 3/4" Pan Head, Sharp Point Tapping Screw, 2 PCS



Single Gang Low-Profile Mounting Box

Features and Benefits

- Provides a surface mounted solution for a variety of media, including voice, data, CATV, fiber, audio and video distribution to the work area
- Fits standard NEMA single gang electrical boxes
- Multiple mounting options including adhesive backing and screws
- Rear cable entry for clean external appearance
- Rugged and durable construction
- Accommodates ICC faceplates and inserts with screw down termination, and Decorex screw down inserts and faceplates, except ones with non-centered integrated F-Type connections
- Available in ivory and white
- ANSI/TIA-568-C and UL 1863 compliant
- Country Of Origin: Taiwan
- TAA Compliant

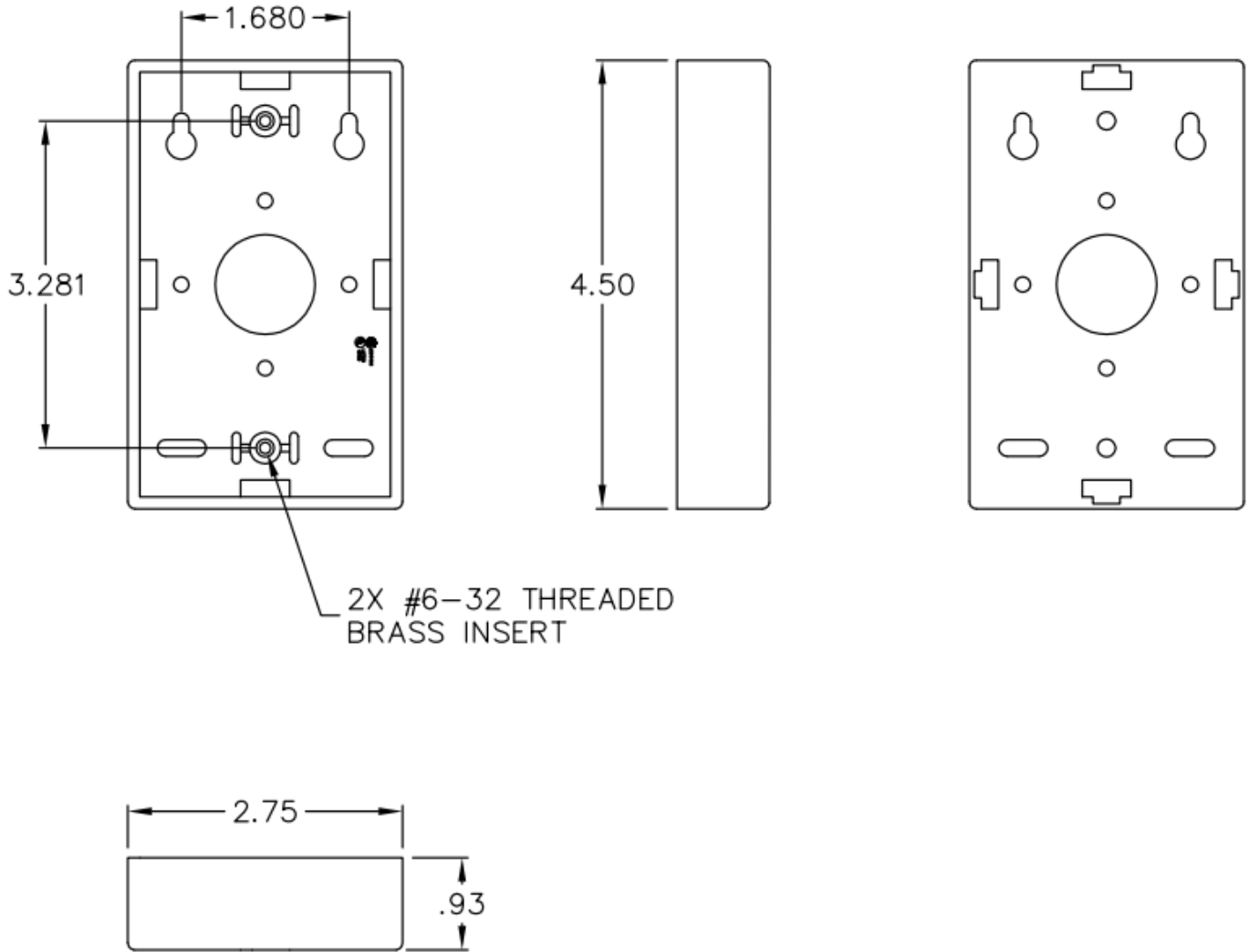
Part No: IC250MBSIV

Rev: A

Page 1 of 2

| 888-ASK-4ICC | icc.com | csr@icc.com |





NOTE: UNLESS OTHERWISE SPECIFIED

1. MATERIAL: ABS, UL 94V-0
2. COLOR: XX: M-IVORY & WH-WHITE