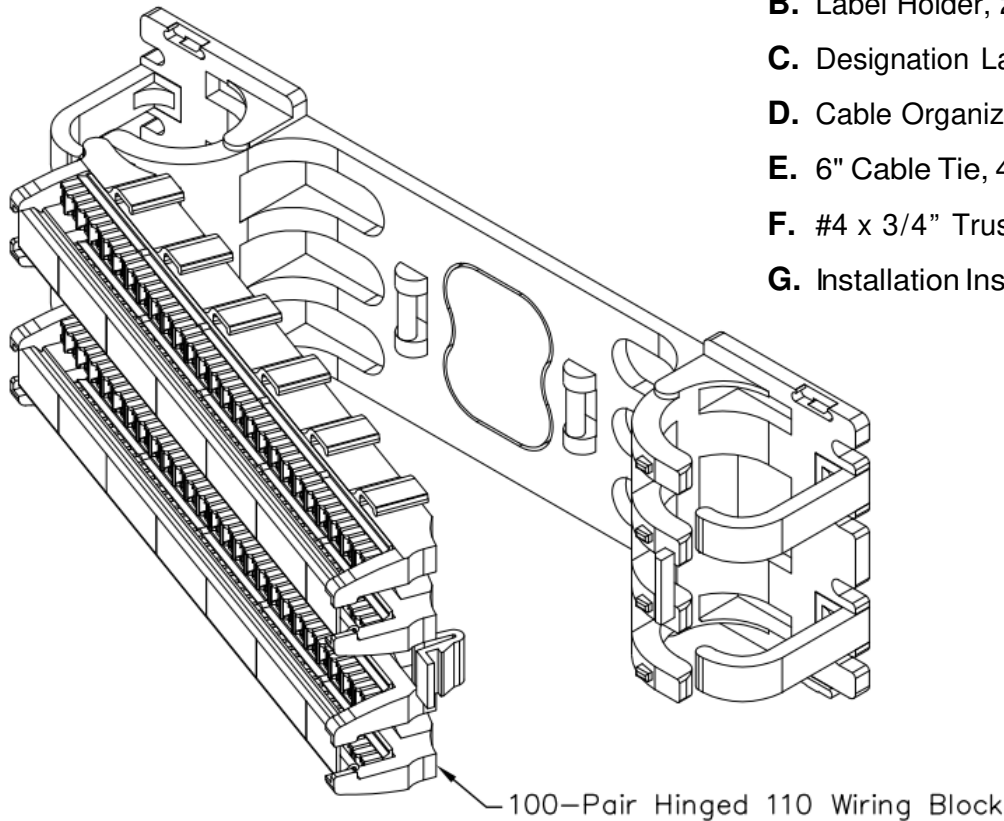


100 Pair Hinged 110 Wiring Block

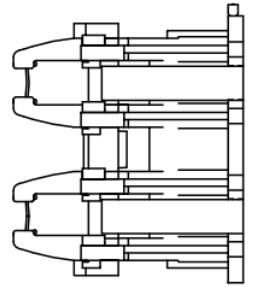
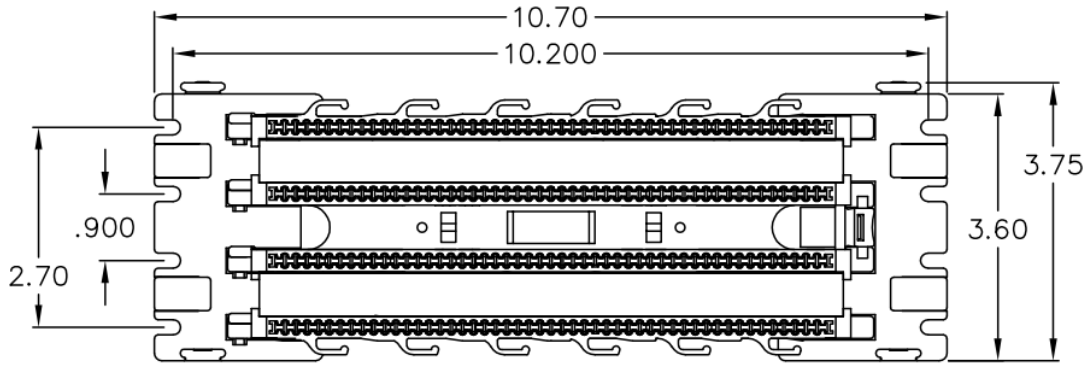
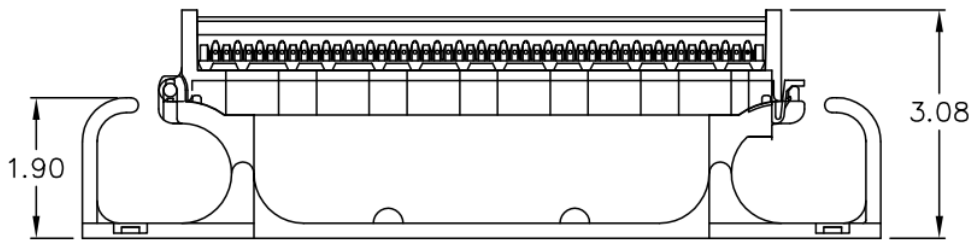
Package Includes:

- A. 100-Pair Hinged 110 Wiring Block, 1 PC
- B. Label Holder, 2 PCS
- C. Designation Label, 2 PCS
- D. Cable Organizer, 4 PCS
- E. 6" Cable Tie, 4 PCS
- F. #4 x 3/4" Truss Head Tapping Screw, 4 PCS
- G. Installation Instructions, 1 sheet



Features and Benefits

- High density wall mounted cross connect system designed for voice and data applications
- Hinged design allows block to swing open for easy access behind the block without removing the block from the wall
- Easy system administration with designation labels and label holders
- Used with IC110CB connecting blocks, IC110 cable management blocks, ICACSPDT00 and ICACSPDT05 110 punch down tools
- Installation instructions #MSR-0347 included
- ANSI/TIA-568-C and UL 1863 compliant
- Country Of Origin: Taiwan
- TAA Compliant



NOTE: UNLESS OTHERWISE SPECIFIED

1. MATERIAL: PC UL 94V-0
2. COLOR: IVORY