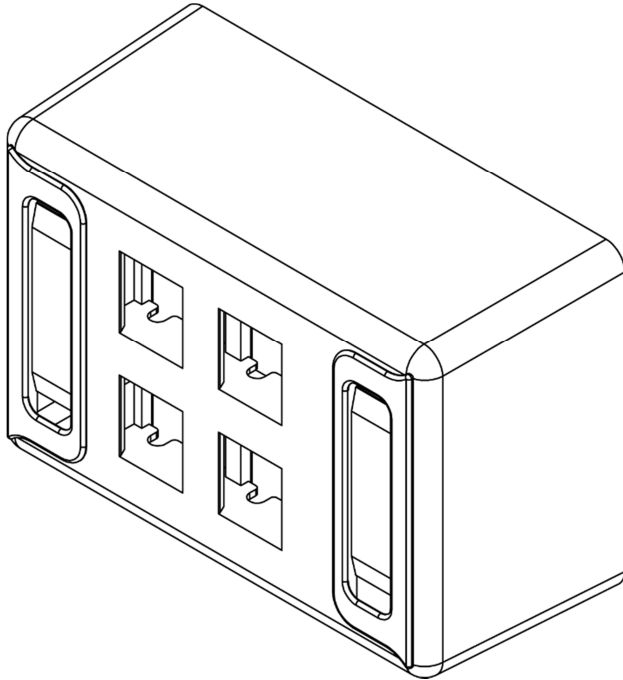


## 4-Port Universal Furniture Faceplate

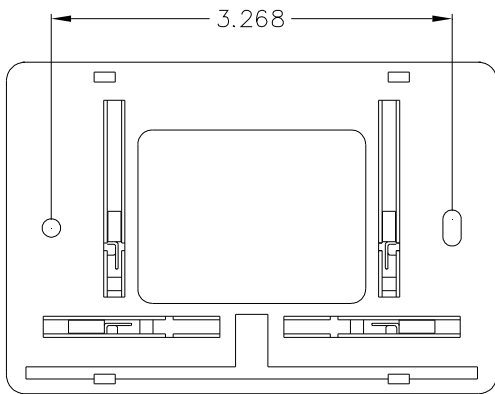
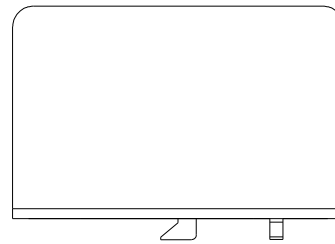
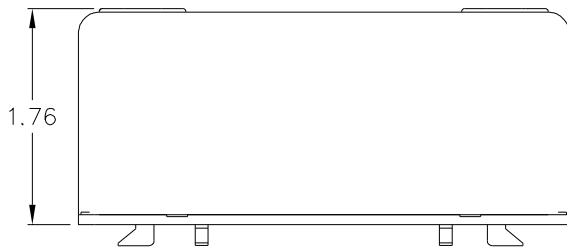
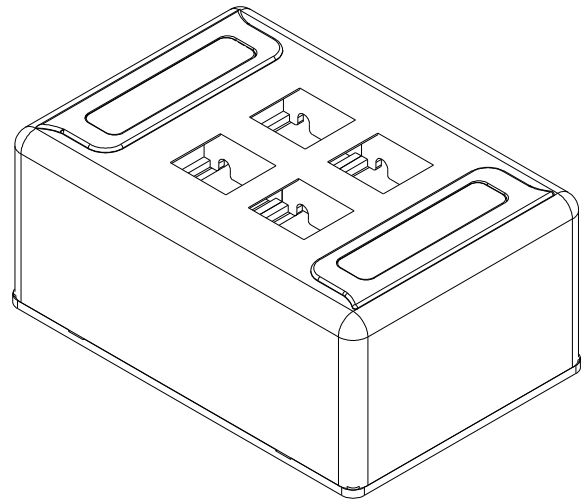
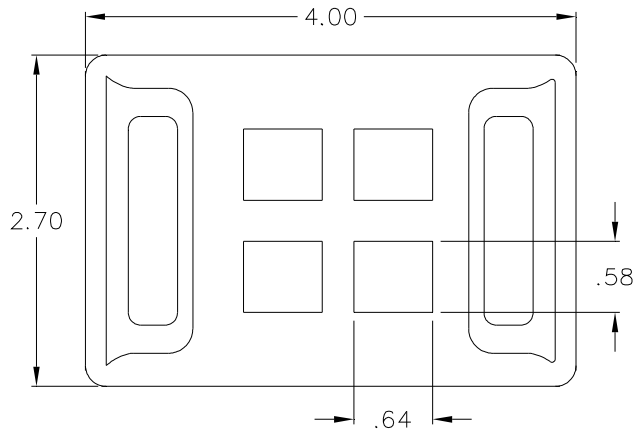


### Package Includes:

- A. 4-Port Universal Faceplate Cover, 1 Piece**
- B. Universal Faceplate Base, 1 Piece**
- C. Patch, 4 Pieces**
- D. Clear Label Cover, 2 Pieces**
- E. Paper Label, 2 Pieces**
- F. #6-32 x 3/4" Oval Head, Countersink, Deep Slotted Drive, Machine Screw, 2 Pieces**
- G. Installation Instructions, 1 Sheet**

### Features and Benefits

- Features an adjustable mounting system to fit all popular modular furniture cabling cutouts
- Designed to support the distribution of voice, data, and other communication needs to the work area
- 2-piece design with moveable locking tabs position the base of the faceplate into the cutouts of the furniture base cover
- Accommodates furniture cabling cutouts from 0.8125" to 1.9375"H and 2.34" to 3.5"W
- Fit popular brands of modular office furniture: Herman Miller, Knoll, Hayworth, Steelcase, and many others
- Rugged and durable constructions
- Easy station identification with use of enclosed labels protected by clear plastic covers
- Accommodates a wide variety of easy to snap-in modules, providing configuration flexibility
- Accepts all IC107 modules
- ANSI/TIA-568-C and UL 1863 compliant
- Country of Origin: Taiwan
- TAA Compliant



**NOTE: UNLESS OTHERWISE SPECIFIED**

1. Material: ABS, UL 94V-0
2. Surface Finish: Texture
3. Color (XX): BK-Black & WH-White

