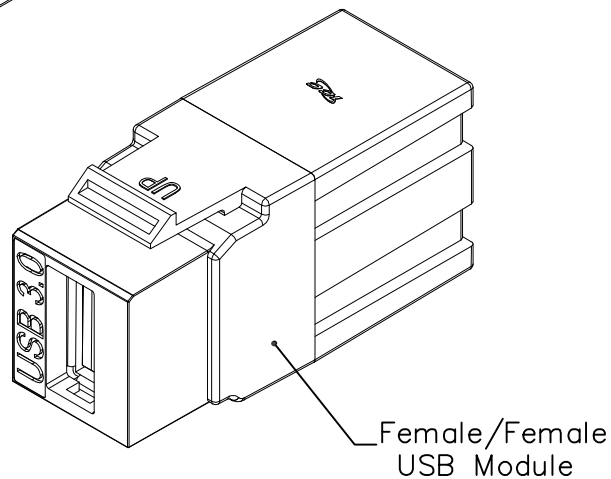
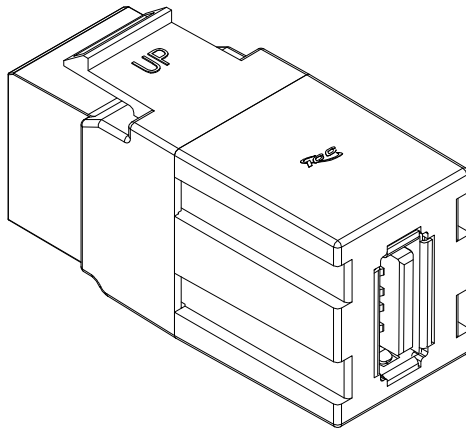


# USB 3.0 Type A Female Module

## PRODUCT SPECIFICATION

### Package includes:

A. USB 3.0 Type A Female Module, 1 pc



### Features and Benefits:

- Ideal for high-speed computers, notebooks, servers, and peripherals devices, external and portal storage hard drives, flash based thumb drives, etc.
- USB 3.0 and backwards compatible to v1.1 and v2.0
- Data rate transmission of up to 5 Gbps; 5 meters maximum
- Compatible with ICC's faceplates, surface mount boxes, blank patch panels and decorex inserts.
- High-density snap-in keystone module
- Available in white.
- Not compatible with ICC's angled single gang, double gang faceplates and angled elite bezels (IC107DAxxxx, IC107Axxxx and IC108Bxxxx).

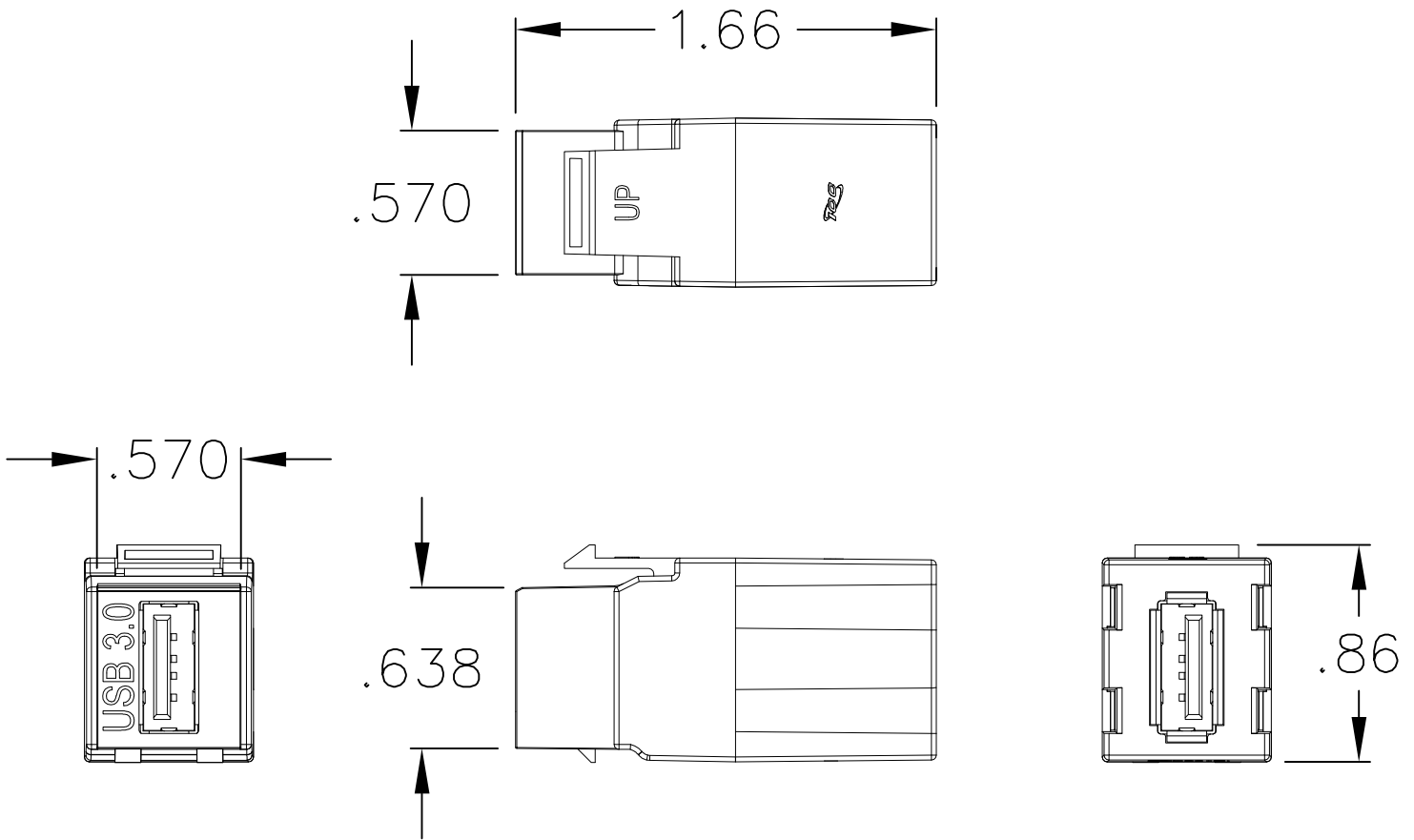
### MODULE, USB 3.0, TYPE A, FEMALE TO FEMALE

ITEM NO.	IC107UAAXX
DWG NO.	PS107UAA00

REV.	B
PAGE NO.	1




CUSTOMER CARE / TECHNICAL SUPPORT \* CSR@ICC.COM / 888-ASK-4-ICC (275-4422) \* 2100 E. Valencia Dr, Suite D, Fullerton, CA 92831\* www.icc.com



**NOTE: UNLESS OTHERWISE SPECIFIED**

1. HOUSING MATERIAL:
  - A. HOUSING: ABS+PC UL 94V-0
2. COLOR:
  - A. XX = WH-WHITE
3. USB ADAPTER:
  - A. VERSION 3.0
  - B. ELECTRICAL PERFORMANCE:
    - HIGH VOLTAGE TEST: DC/300V
    - INSULATION RESISTANCE: <20MΩ
    - CONNECTION RESISTANCE: <2Ω

<b>MODULE, USB 3.0, TYPE A, FEMALE TO FEMALE</b>			
ITEM NO.	IC107UAAXX		REV. B
DWG NO.	PS107UAA00		PAGE NO. 2

CUSTOMER CARE / TECHNICAL SUPPORT \* CSR@ICC.COM / 888-ASK-4-ICC (275-4422) \* 2100 E. Valencia Dr, Suite D, Fullerton, CA 92831\* www.icc.com