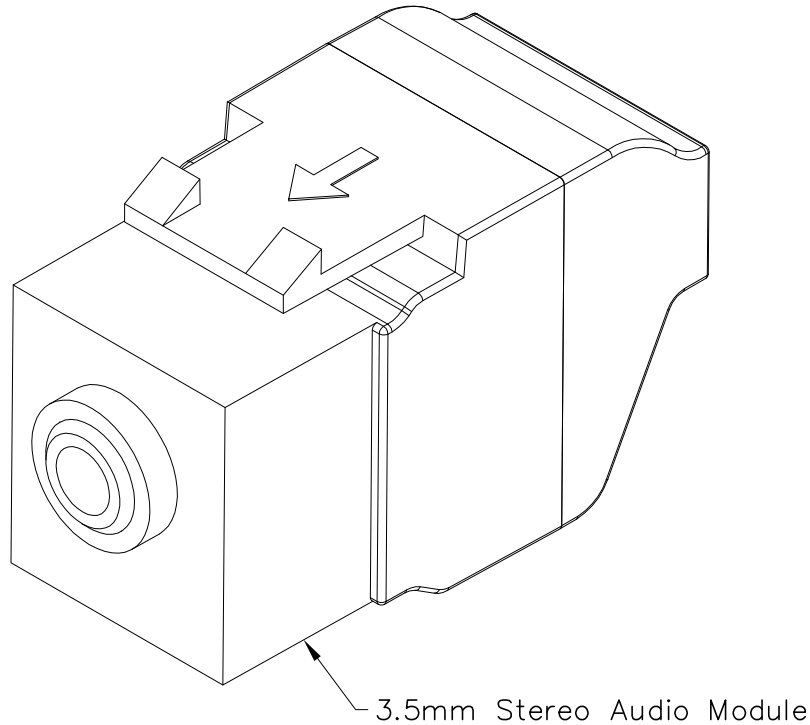


# 3.5mm Stereo Audio Module

## PRODUCT SPECIFICATION


### Package includes:

A. 3.5mm Stereo Audio Module, 1 pc

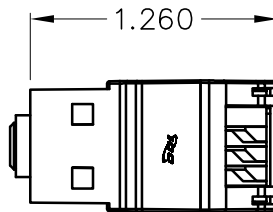
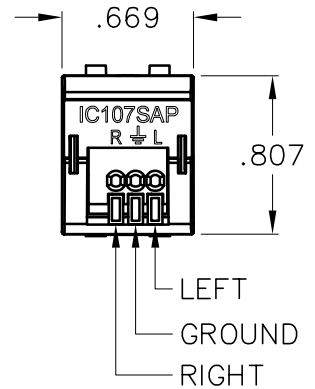
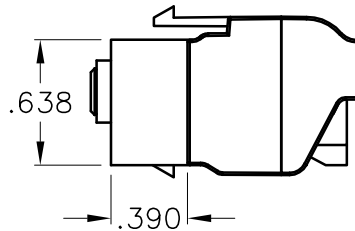
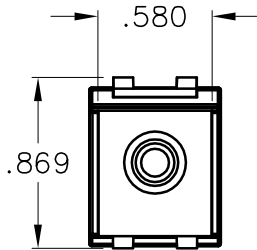
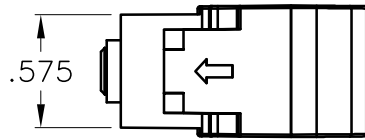


### Features and Benefits:

- Connect to headphone, microphone, infrared repeater devices, sound cards, and MP3 player from remote locations
- Fast fingertip insertion
- Capable of UTP wiring in size of 22 ~ 24 AWG for simple connection
- Compatible with any ICC keystone wall plates and decorex inserts
- Available in almond, black, ivory, and white

<b>MODULE, STEREO AUDIO, 3.5MM</b>		 <i>PremiumProducts</i> <i>ProvenPerformance</i> <i>CompetitivePrices</i>	
ITEM NO.	IC107SAPXX		REV. C
DWG NO.	PS107SAP00		PAGE NO. 1


CUSTOMER CARE / TECHNICAL SUPPORT \* CSR@ICC.COM / 888-ASK-4-ICC (275-4422) \* 14700 Alondra Blvd, La Mirada, CA 90638 \* www.icc.com




**NOTE: UNLESS OTHERWISE SPECIFIED**

1. MATERIAL:
  - A. CONNECTOR BODY: PHOSPHOR BRONZE
  - B. PLATING: NICKEL
  - C. HOUSING: ABS
2. ELECTRICAL:
  - A. RATING: DC 50V 0.5A
  - B. CONTACT RESISTANCE: 50M OHM MAX.
  - C. INSULATION RESISTANCE: 100M OHM MIN.
  - D. INSERTION FORCE: 0.3KGF ~ 3KGF
  - F. EXTRACTION FORCE: 0.3KGF ~ 3KGF
3. COLOR = AL-ALMOND, BK-BLACK, IV-IVORY, WH-WHITE
4. PERFORMANCE DISTANCE: 100 FT. MAX.

**Wiring Table**

Application	R (Ring / -)	 (Ground)	L (Tip / +)
<i>Stereo Audio</i>	Right	Ground	Left
<i>Balanced</i>	Negative	Ground	Positive
<i>Unbalanced</i>	Unused	Ground	Signal

<b>MODULE, STEREO AUDIO, 3.5MM</b>		 <b>Premium Products</b> Proven Performance Competitive Prices	
ITEM NO.	IC107SAPXX		REV. C
DWG NO.	PS107SAP00		PAGE NO. 2

CUSTOMER CARE / TECHNICAL SUPPORT \* CSR@ICC.COM / 888-ASK-4-ICC (275-4422) \* 14700 Alondra Blvd, La Mirada, CA 90638 \* www.icc.com