

4-Port TIA Furniture Faceplate



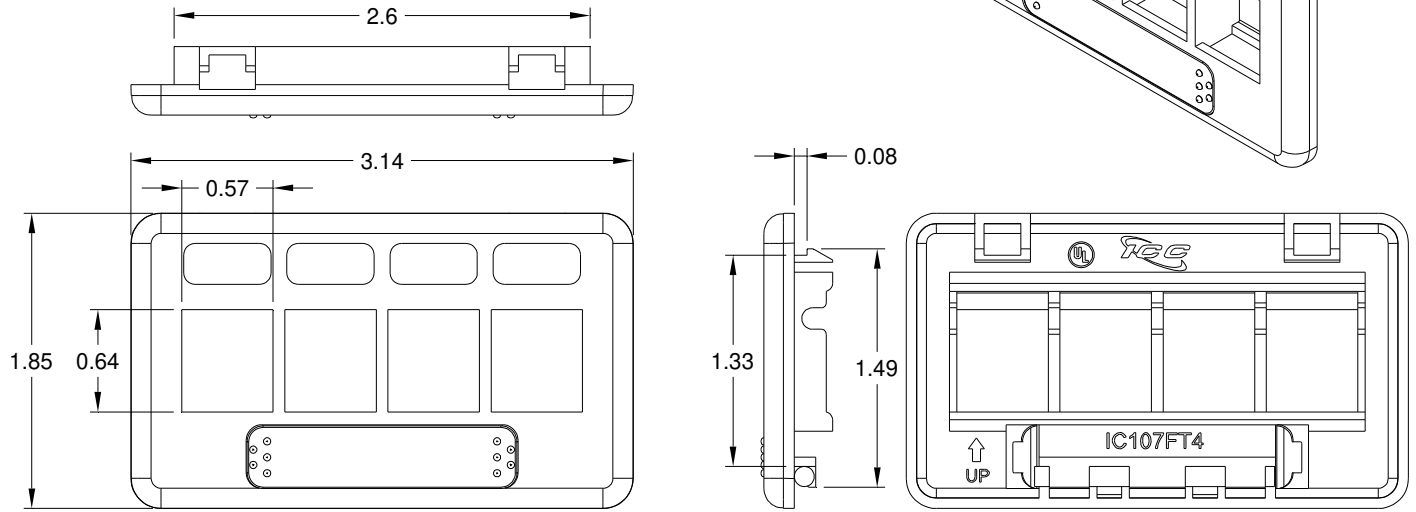
Package Includes:

- A. 4-Port TIA Furniture Faceplate, **1 Piece**
- B. Clear Label Cover, **1 Piece**
- C. Paper Label, **1 Piece**
- D. EPDM Foam Rubber, **1 Piece**

Features and Benefits

- Provides connectivity at the workstation creating a modern appearance with an easy to use identification scheme in modular furniture environments
- Designed to support the distribution of voice, data, and other communication needs to the work area
- Ideal for use in high density applications with more connectivity in less space
- TIA opening with snap in design seamlessly integrates into most popular modular furniture systems; including Herman Miller, Knoll, Hayworth, Steelcase, and many others
- Rugged and durable constructions
- Accommodates a wide variety of easy to snap-in modules, providing configuration flexibility
- Accepts all IC107 **HD** modules
- ANSI/TIA-568-C and UL 1863 compliant
- Available in Black, Gray, Ivory, and White
- Country Of Origin: Taiwan
- TAA Compliant

Product Specification



NOTE: UNLESS OTHERWISE SPECIFIED

1. Material: ABS, UL 94V-0
2. Surface Finish: Texture
3. Color (XX): BK-Black, GY-Gray, IV- Ivory, & WH- White

