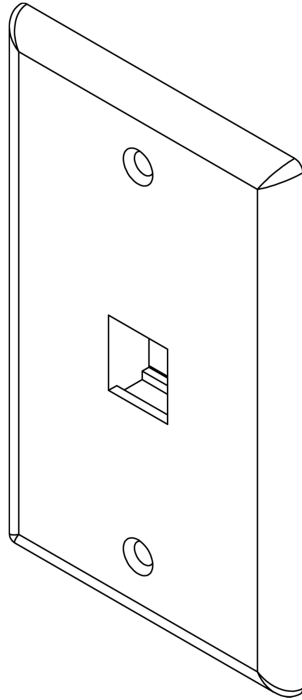


# 1-Port Single Gang Flat Faceplate

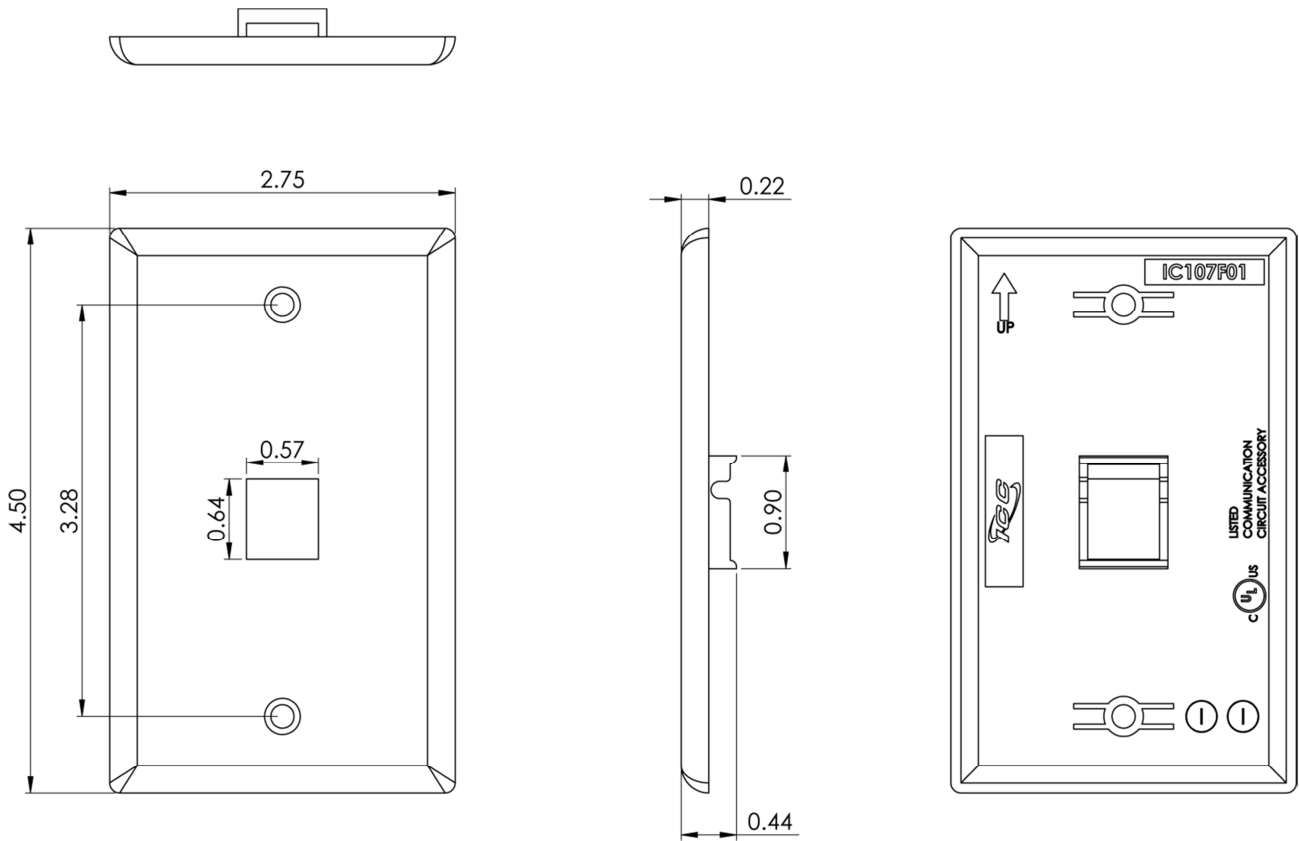


## Package Includes:

- A. 1-Port Single Gang Flat Faceplate, 1 Piece**
- B. #6-32 x 3/4" Oval Head, Countersink, Deep Slotted Drive, Machine Screw, 2 Pieces**

## Features and Benefits

- Configured to fit standard single gang outlet box
- Designed to support the distribution of voice, data, and other communication needs to the work area for commercial or residential applications
- Rugged and durable construction
- Accommodates a wide variety of easy to snap-in modules, providing configuration flexibility
- Accepts all IC107 modules
- ANSI/TIA-568-C and UL 1863 compliant
- Available in Almond, Black, Gray, Ivory, and White
- Country Of Origin: Taiwan
- TAA Compliant



**Specifications**

- Material: ABS, UL94V-0
- Finish: Texture
- Color: XX: AL-Almond, BK-Black, GY-Gray, IV-Ivory, & WH-White

