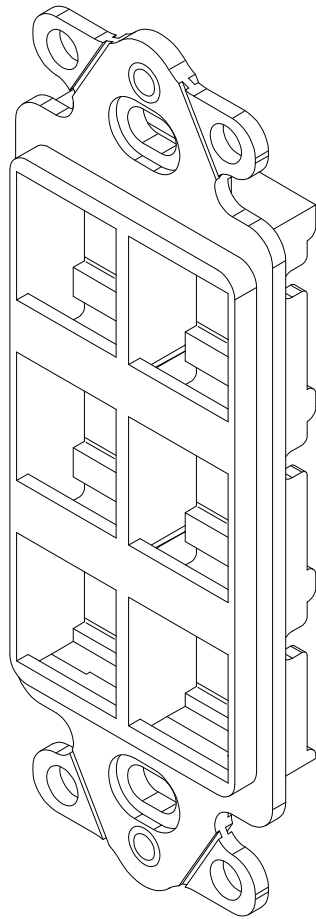


6-Port High Density Decorex Insert

PRODUCT SPECIFICATION



Package includes:

- A. 6-Port HD Decorex Insert, 1 pc
- B. #6-32 x 3/4" Pan Head Machine Screw, 2 pcs

6-Port HD Decorex Insert

Features and Benefits:

- Designed to support the distribution of voice, data, and other communication needs with contemporary styling for commercial or residential applications
- Ideal for use in high density applications with more connectivity in less space
- Fits standard NEMA electrical boxes
- Rugged and durable construction
- Designed for a consistent look with standard decorator style faceplates
- Compatible with all IC107 Decorex faceplates
- Accommodates a wide variety of easy to snap-in modules, providing configuration flexibility
- Compatible with all IC107 HD modules
- Available in almond, black, ivory, and white
- ANSI/TIA-568-C and UL 1863 compliant

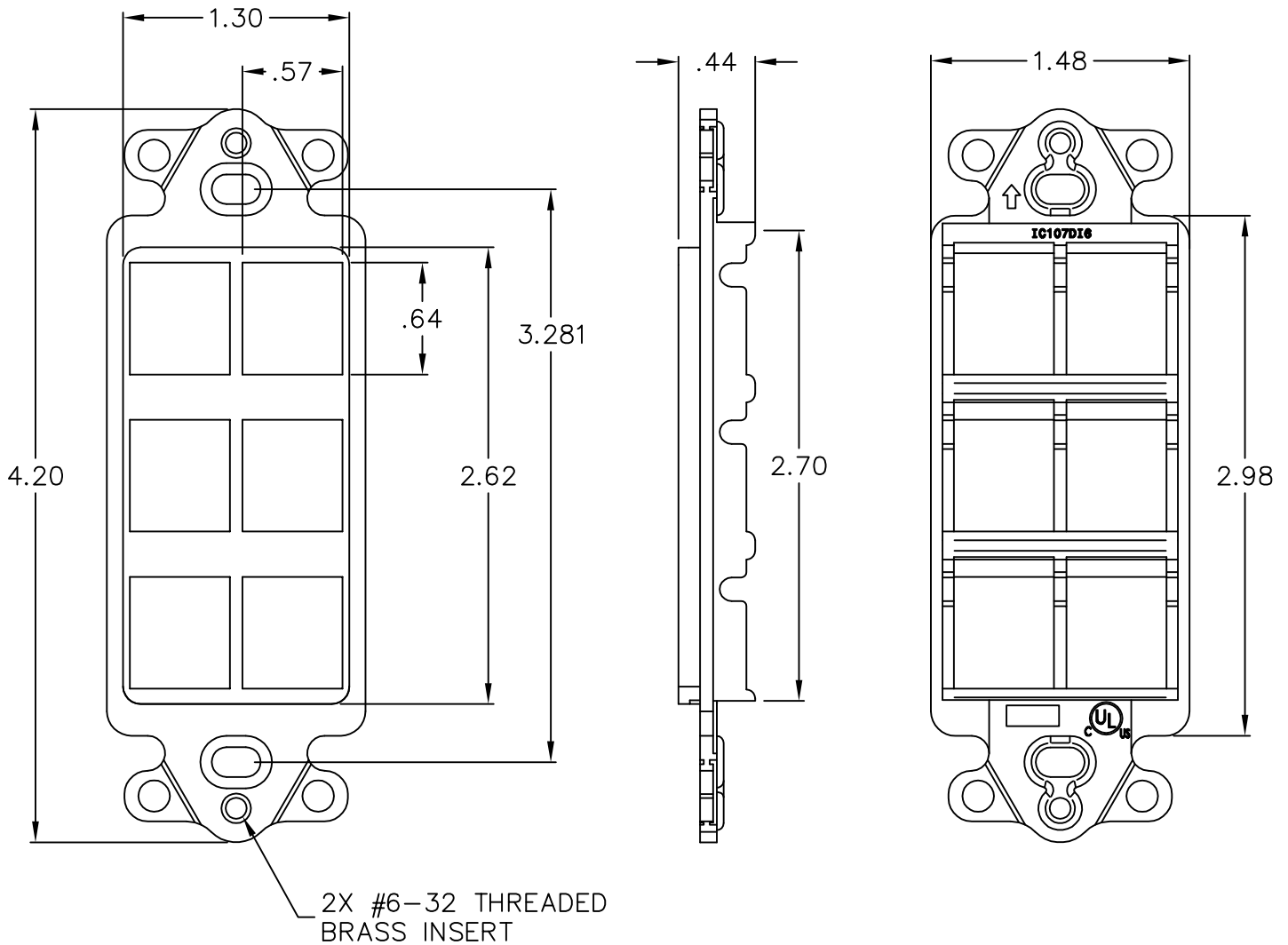
INSERT, DECOREX, HD, 6-PORT

ITEM NO.	IC107DI6XX
DWG NO.	PS107DI600

REV.	B
PAGE NO.	1




CUSTOMER CARE / TECHNICAL SUPPORT * CSR@ICC.COM / 888-ASK-4-ICC (275-4422) * 2100 E. Valencia Dr, Suite D, Fullerton, CA 92831 * www.icc.com



NOTE: UNLESS OTHERWISE SPECIFIED

1. MATERIAL: ABS, UL 94V-0
2. FINISH: GLOSSY
3. COLOR: XX: AL-ALMOND, BK-BLACK, IV-IVORY & WH-WHITE

UL US FILE NO. 125268

INSERT, DECOREX, HD, 6-PORT		 Premium Products <i>Proven Performance</i> <i>Competitive Prices</i>	
ITEM NO.	IC107DI6XX		REV. B
DWG NO.	PS107DI600		PAGE NO. 2

CUSTOMER CARE / TECHNICAL SUPPORT * CSR@ICC.COM / 888-ASK-4-ICC (275-4422) * 2100 E. Valencia Dr, Suite D, Fullerton, CA 92831 * www.icc.com