

8P8C RJ-45 CAT 6a Coupler Module, Pin 1-1

Package Includes

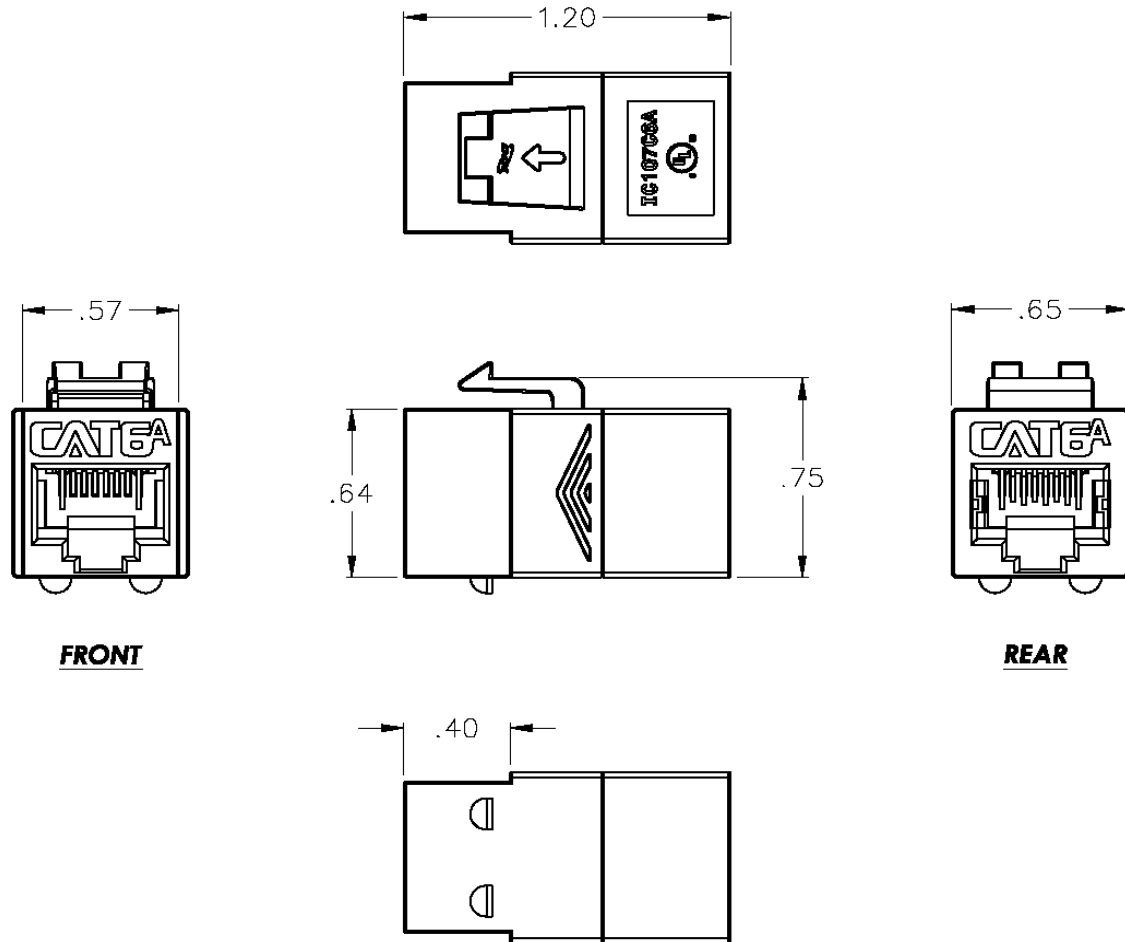
- A. 8P8C RJ-45 CAT 6a Coupler Module Pin 1-1, 1 pc



Features and Benefits

- Provides pin 1-1 RJ-45 CAT 6a coupling.
- Reduced rear footprint allows for greater connectivity density and provides for more port configurations in a smaller area.
- Compatible with all IC107 faceplates, inserts, surface mount boxes, and blank patch panels.
- Compatible with all IC108 furniture faceplates, bezels, and surface mount boxes.
- Available in black and white.
- Country Of Origin: Taiwan
- TAA Compliant

Specifications



NOTE: UNLESS OTHERWISE SPECIFIED

1. TRANSMISSION PERFORMANCE:
 - A. MEET ALL REQUIREMENT SPECIFIED IN CHANNEL REQUIREMENT OF: ISO/IEC 11801 , CLASS E, ANSI/TIA-568-C.2, CATEGORY 6A
2. ELECTRICAL:
 - A. ELECTRICAL INSULATION RESISTANCE: 500 MIN. @ 100V D.C
 - B. DIELECTRIC WITHSTANDING VOLTAGE: 1000V D.C. OR A.C. PEAK CONTACT TO CONTACT @ 60HZ FOR 1MINUTE
3. MECHANICAL:
 - A. INSERTION / EXTRACTION LIFE : 750 CYCLES MINIMUM
4. PHYSICAL:
 - A. HOUSING: HIGH-IMPACT, FLAME-RETARDANT PLASTIC, UL 94V-0
 - B. SPRING WIRE: PHOSPHOR BRONZE ALLOY PLATED WITH 50 MICRO-INCH OF GOLD
5. COLOR: IC107CP6ABK, IC107CP6AWH

For warranty information, go online to icc.com/warranty.

Part No: IC107CP6AXX Rev: A

Part No: IC107CP6AXX

Rev: A

Page 2 of 2

| 888-ASK-4ICC | icc.com | csr@icc.com |

