

8P8C Category 5e Coupler Module, 25 Pack

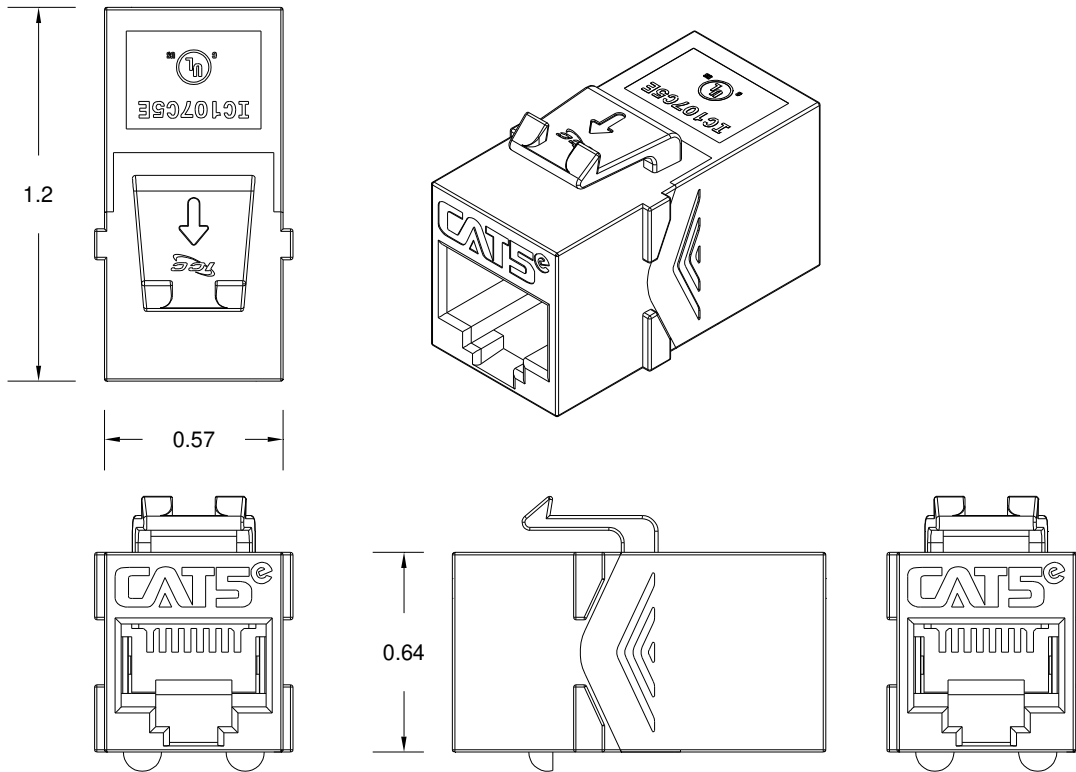


Package Includes:

A. 8P8C Category 5e Coupler Module, **25 Pieces**

Features and Benefits

- PCB technology provides maximum performance and superior signal quality
- Enhanced crosstalk cancellation reduces return loss and improves performance by rejecting noise and unwanted signals
- Reduced rear footprint allows for greater connectivity density and provides for more port configurations in a smaller area
- Backwards compatible to all lower rated category components
- Compatible with all IC107 faceplates, inserts, surface mount boxes, and blank patch panels
- Compatible with all IC108 furniture faceplates, bezels, and surface mount boxes
- Used with ICC Category 5e ICPCSJ and ICPCSC patch cords
- Available in Black
- ANSI/TIA-568-C and UL1863 compliant
- Country Of Origin: Taiwan
- TAA Compliant



NOTE: UNLESS OTHERWISE SPECIFIED

1. CAT 5e Module:

A. Electrical:

- Current Rating: 1.5 AMPS
- Voltage Rating: 150 Volts AC
- Dielectric Withstanding Voltage: 1000 Volts RMS, 60 HZ
- Insulation Resistance :> 10 MOHMS

B. Mechanical:

- Mating Force: 5 lbs. Max
- Unmating Force: 5 lbs. Max
- Plug Retention in Jack: 20 lbs. Min
- Durability: 750 Cycles

C. Material & Finish:

- Housing: ABS UL 94V-0
- Contact: Phosphor Bronze Alloy Plated with 50 µin of Gold over 70~100 µin of Nickel
- Gold Plating: 1.27 Micron/ 50 Micro inch Min

D. Colors: XX: BK-Black & WH-White

FREQUENCY (MHz)	NEXT (dB)	RETURN (dB)	ACRF (dB)	INSERTION (dB)
10.00	47.0	17.0	37.4	7.1
25.00	40.3	16.0	29.4	11.4
62.50	33.6	12.1	27.5	18.6
100.00	30.1	10.0	17.4	24.0

WIRING DIAGRAM	
PIN	PIN
1	1
2	2
3	3
4	4
5	5
6	6

