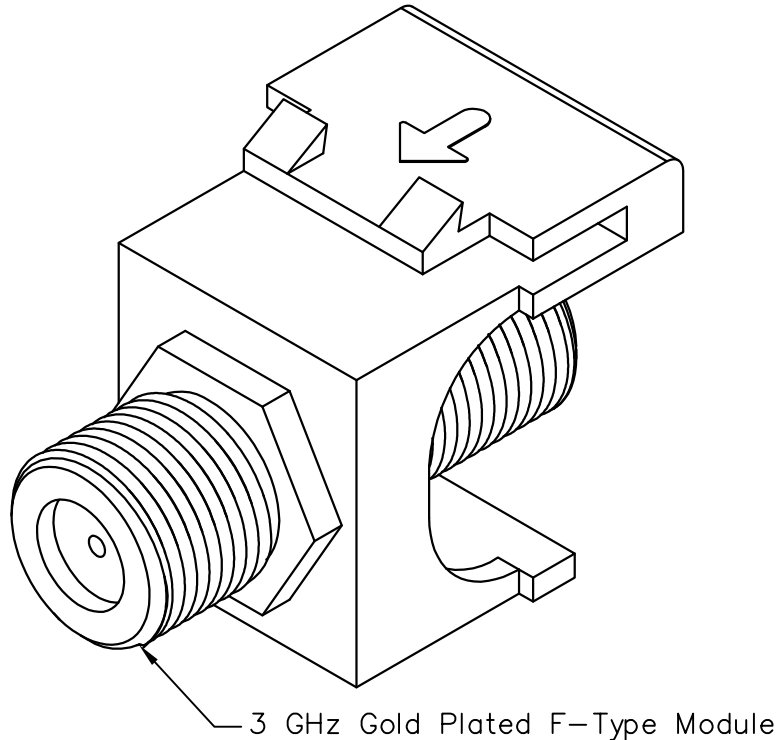


3 GHz Gold Plated F-Type Female-to-Female Module

PRODUCT SPECIFICATION

Package includes:

A. 3 GHz Gold Plated F-Type Module, 1 pc



Features and Benefits:

- Gold plating for improved performance with superior signal quality with minimal noise
- Designed with 3 GHz bandwidth for audio and video applications
- Rear threaded F-Type connectors for secure in-wall connections with both RG6 and RG59 coaxial cables
- Provides a clean and neat appearance installation
- Compatible with all IC107 faceplates, inserts, surface mount boxes, and blank patch panels
- Compatible with all IC108 furniture faceplates, bezels, and surface mount boxes
- Available in almond, black, ivory, and white
- ANSI/TIA-568-C and UL 1863 compliant

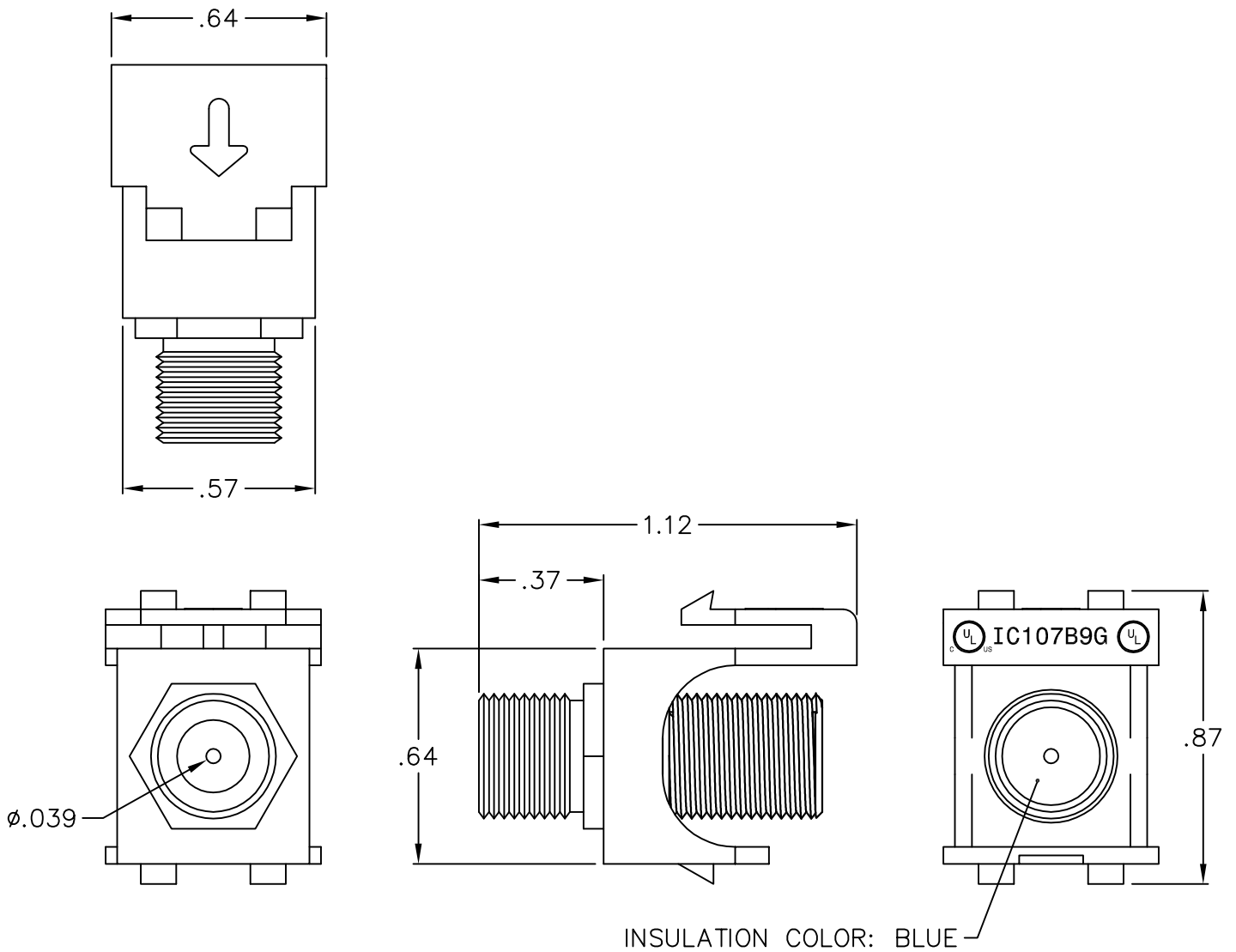
MODULE, F-TYPE, GOLD PLATED, 3 GHz

ITEM NO. IC107B9GXX
DWG NO. PS107B9G00

REV. C
PAGE NO. 1



CUSTOMER CARE / TECHNICAL SUPPORT * CSR@ICC.COM / 888-ASK-4-ICC (275-4422) * 2100 E. Valencia Dr. Suite D, Fullerton, CA 92831 * www.icc.com



NOTE: UNLESS OTHERWISE SPECIFIED

1. HOUSING:
 - A. MATERIAL: ABS, UL 94V-0
 - B. COLOR: XX: AL-ALMOND, BK-BLACK, IV-IVORY, & WH-WHITE
2. GOLD PLATED F-TYPE CONNECTOR:
 - A. MATERIAL: BRONZE WITH 3 MICRON GOLD PLATING
 - B. HOLDING FORCE > 80 GRAMS
 - C. F-TYPE CONNECTOR THREADS: 3/8-32 UNEF-2A
3. ELECTRICAL:
 - A. RETURN LOSS OF -20 dB MAX
 - B. FREQUENCY RANGE 1.4 ~ 3.0 GHZ
 - C. CONTACT RESISTANCE < 10 MOHM
 - D. INSULATION RESISTANCE > 5000 MOHM
 - E. INSERTION LOSS < 0.3 dB

UL US FILE NO. 125268

MODULE, F-TYPE, GOLD PLATED, 3 GHZ			
ITEM NO.	IC107B9GXX		REV. C
DWG NO.	PS107B9G00		PAGE NO. 2

CUSTOMER CARE / TECHNICAL SUPPORT * CSR@ICC.COM / 888-ASK-4-ICC (275-4422) * 2100 E. Valencia Dr, Suite D, Fullerton, CA 92831 * www.icc.com