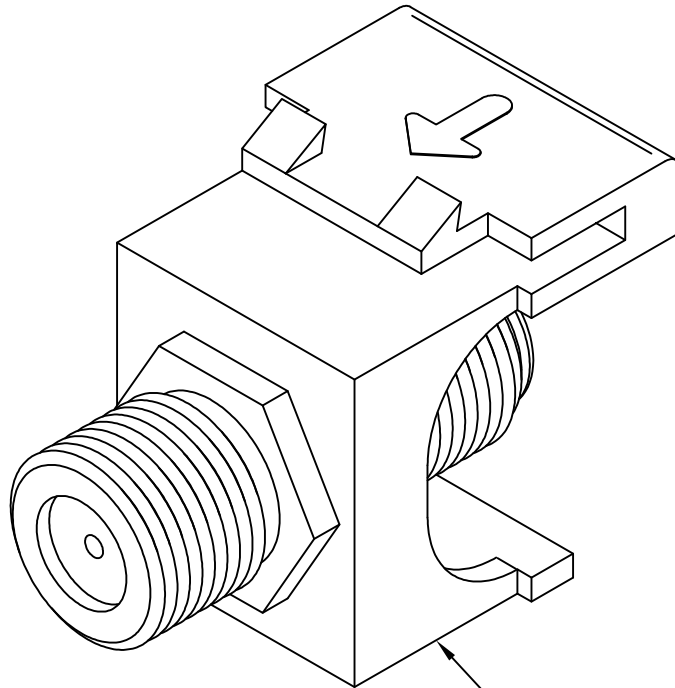


# Gold Plated F-Type Female-to-Female Module

## PRODUCT SPECIFICATION

### Package includes:

A. Gold Plated F-Type Module, 1 pc



Gold Plated F-Type Module

### Features and Benefits:

- Gold plating for improved performance with superior signal quality with minimal noise
- Used for audio and video applications
- Rear threaded F-Type connectors for secure in-wall connections with both RG6 and RG59 coaxial cables
- Provides a clean and neat appearance installation
- Compatible with all IC107 faceplates, inserts, surface mount boxes, and blank patch panels
- Compatible with all IC108 furniture faceplates, bezels, and surface mount boxes
- Available in almond, black, gray, ivory, and white
- ANSI/TIA-568-C and UL 1863 compliant

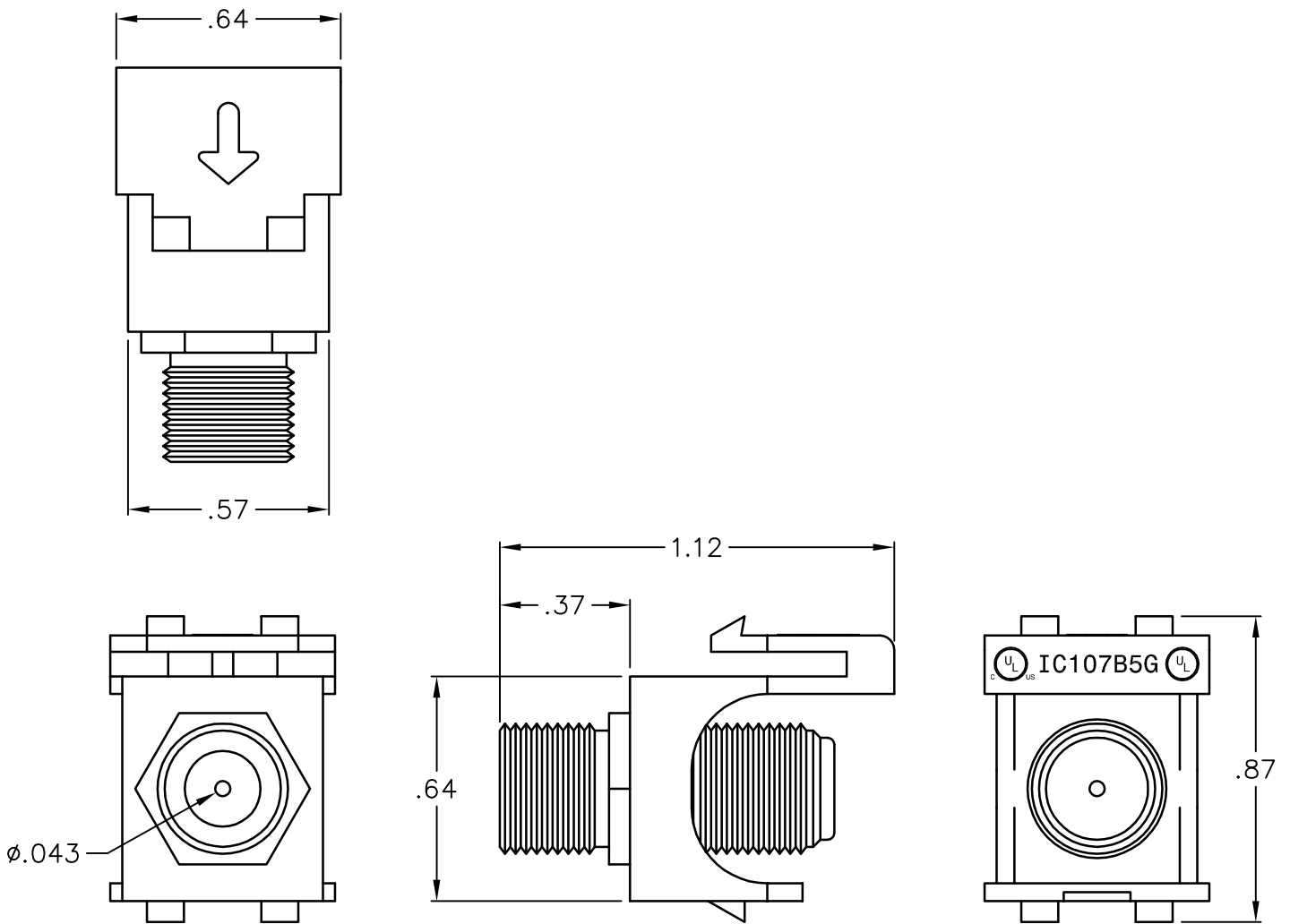
### MODULE, F-TYPE, GOLD PLATED

ITEM NO. IC107B5GXX  
DWG NO. PS107B5G00

REV. D  
PAGE NO. 1



CUSTOMER CARE / TECHNICAL SUPPORT \* CSR@ICC.COM / 888-ASK-4-ICC (275-4422) \* 2100 E. Valencia Dr, Suite D, Fullerton, CA 92831 \* www.icc.com



**NOTE: UNLESS OTHERWISE SPECIFIED**

1. HOUSING:

- A. MATERIAL: ABS, UL 94V-0
- B. COLOR: XX: AL-ALMOND, BK-BLACK, GY-GRAY, IV-IVORY, & WH-WHITE

2. GOLD PLATED F-TYPE CONNECTOR:

- A. MATERIAL: BRONZE WITH 3 MICRON GOLD PLATING
- B. INSULATOR COLOR: WHITE
- C. HOLDING FORCE > 80 GRAMS
- D. F-TYPE CONNECTOR THREADS: 3/8-32 UNEF-2A

3. ELECTRICAL:

- A. RETURN LOSS OF -20 dB MAX
- B. INSULATION RESISTANCE > 5000 MOHM
- C. INSERTION LOSS < 0.3 dB

UL US FILE NO. 125268

<b>MODULE, F-TYPE, GOLD PLATED</b>			
ITEM NO.	IC107B5GXX		REV. D
DWG NO.	PS107B5G00		PAGE NO. 2

CUSTOMER CARE / TECHNICAL SUPPORT \* CSR@ICC.COM / 888-ASK-4-ICC (275-4422) \* 2100 E. Valencia Dr, Suite D, Fullerton, CA 92831 \* www.icc.com