

PERFORATION

DOTTED LINE
DOES NOT
PRINT

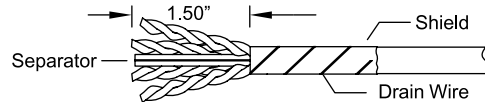
PRINT 2 COLOR
Black and White

BLACK INK
FOR PRINTING

WHITE INK FOR
PRINTING WITHIN
BLACK BOX

4x8 BAG

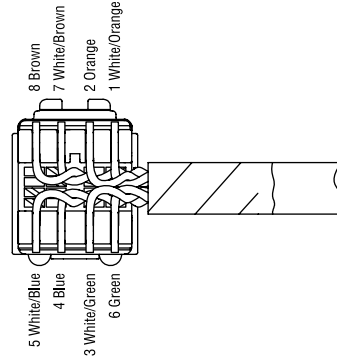
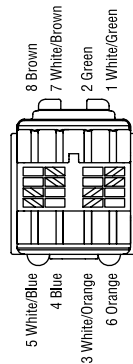
- Strip approximately 1.50" of cable jacket and trim the center separator. Slide the shield back over the cable jacket. Wrap the drain wire around the shielding.



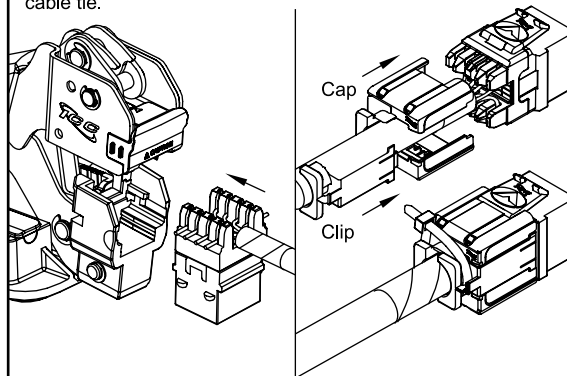
- Choose between TIA 568-A or 568-B wiring configuration. Sort the wires and place them into the IDC, but keep the twisting of the pairs as close as possible to IDC.

TIA 568-A

TIA 568-B



- Terminate wires using the JackEasy or single blade tool. Apply the cap and retaining clip then secure them using the cable tie.



Optional: Use a grounding wire (ICACSGK6AS) if you are not installing the connector onto an FTP patch panel.