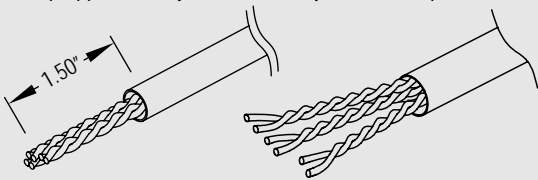
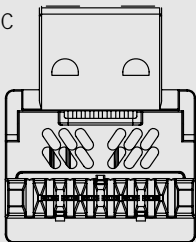


1. Strip approximately 1.50" of cable jacket and separate wires.



2. Choose between USOC or UTP wiring configuration.

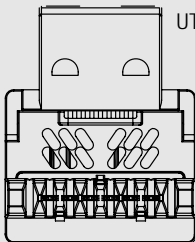
USOC



White
Black
Red
Green
Yellow
Blue

1 2 3 4 5 6

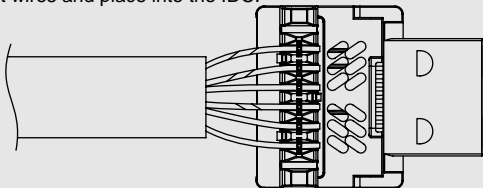
UTP Wiring



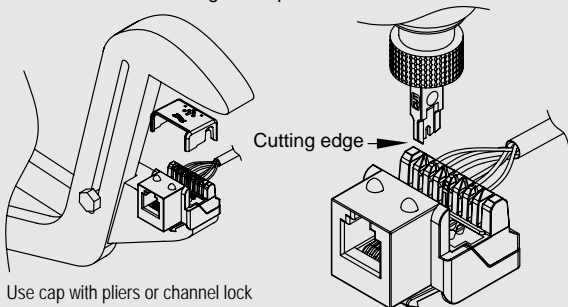
White/Green
White/Orange
Blue
White/Blue
Orange
Green

1 2 3 4 5 6

3. Sort wires and place into the IDC.



4. Terminate wires using the cap or Punch-Down Tool.



Use cap with pliers or channel lock