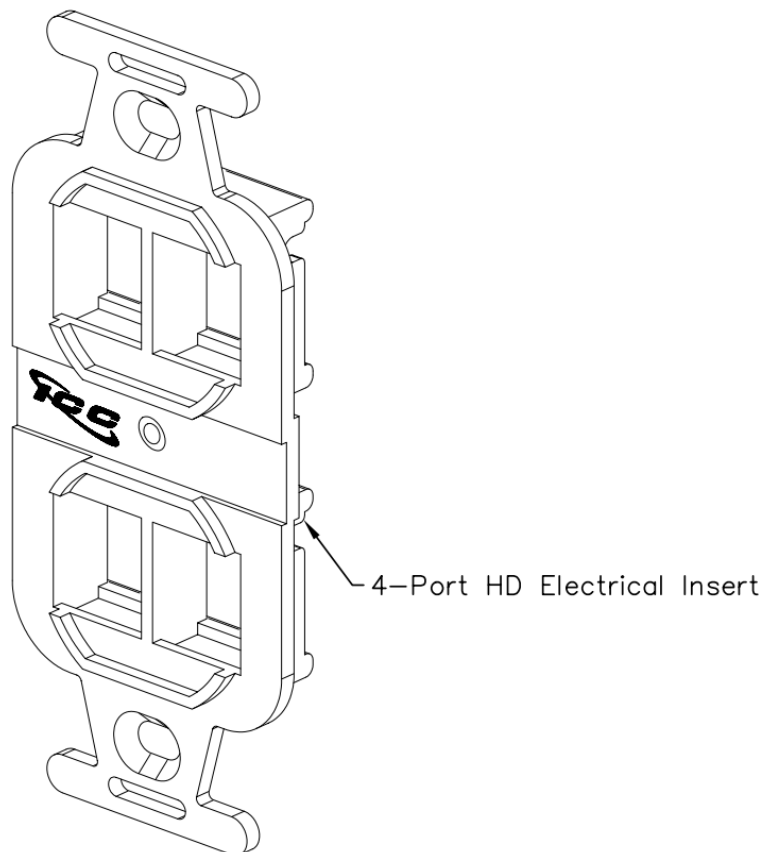


4 Port High Density Electrical Insert

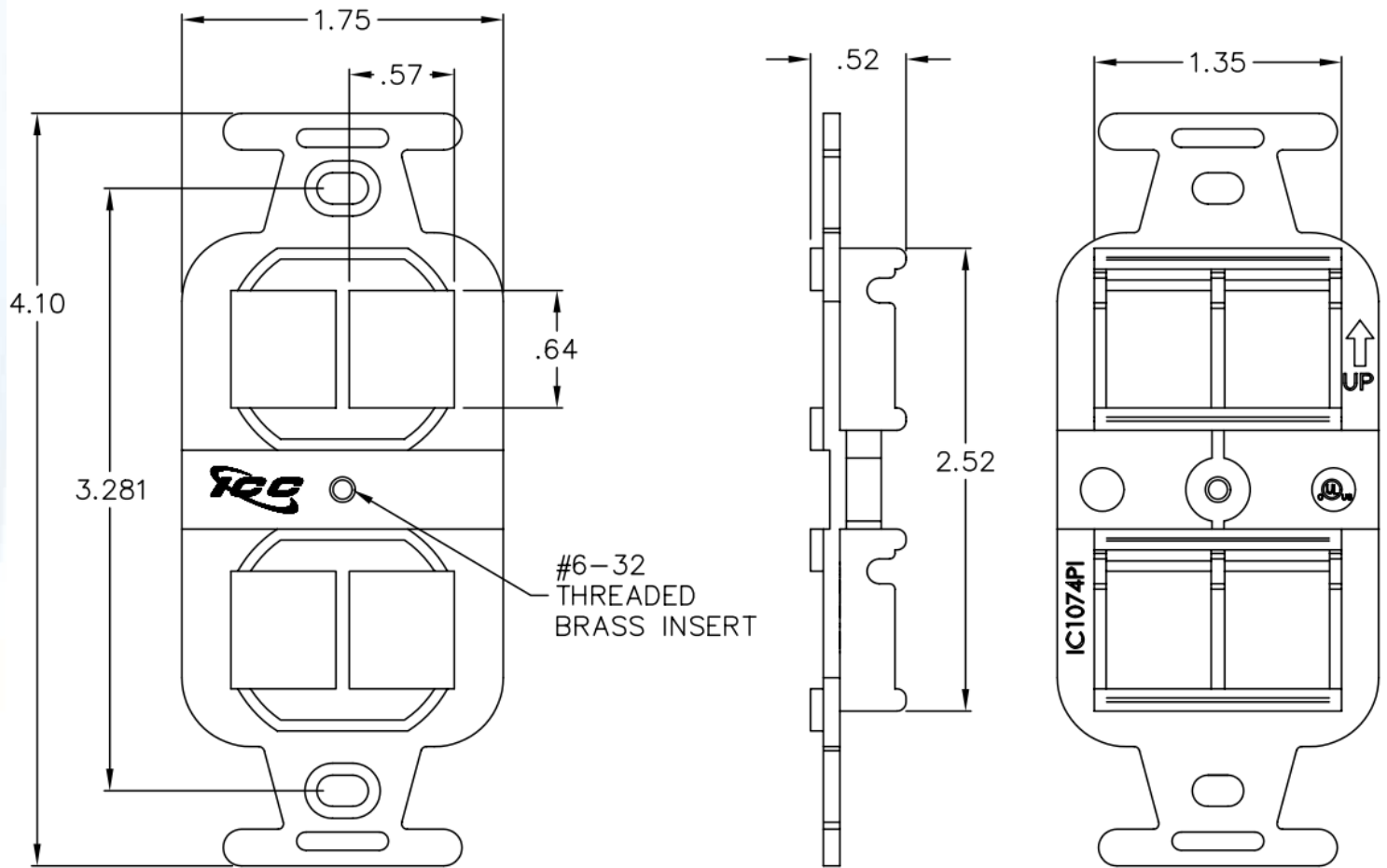
Package Includes:

- A. 4-Port HD Electrical Insert, 1 PC
- B. #6-32 x 3/4" Oval Head, Countersink Machine Screw, 2 PCS



Features and Benefits

- Designed to support the distribution of voice, data, and other communication needs to the work area for commercial or residential applications
- Ideal for use in high density applications with more connectivity in less space
- Fits standard NEMA electrical boxes
- Rugged and durable construction
- Designed for a consistent look with standard electrical faceplates
- Compatible with all IC106 electrical faceplates
- Accommodates a wide variety of easy to snap-in modules, providing configuration flexibility
- Compatible with all IC107 HD modules
- Available in almond, ivory, and white
- UL listed
- Country Of Origin: Taiwan
- TAA Compliant



NOTE: UNLESS OTHERWISE SPECIFIED

1. MATERIAL: ABS, UL 94V-0
2. FINISH GLOSSY
3. COLOR: XX-AL-ALMOND, IV-IVORY& WH-WHITE