

GV-CR1320 2MP H.264 IP Camera Reader



Introduction

GV-CR1320 is a 13.56 MHz card reader with a built-in 2 MP camera. GV-CR1320 recognizes identification cards and grants access as regulated by the connected controller. Its camera captures the live view of entrance and transmits it to the access control system GV-ASManager through network connection, without the need of installing and maintaining a separate camera in addition to the card reader.

VoIP Calls:

When its touchpad is activated, GV-CR1320 will place a call to the operator through VoIP. The operator can then communicate with the visitor and enter an access code to open the door.

Card Swiping plus Face Detection:

The Card and Face mode enables GV-CR1320 to perform face detection together with card verification before access can be granted.

4 IN 1
Access controller
with an **Eye**

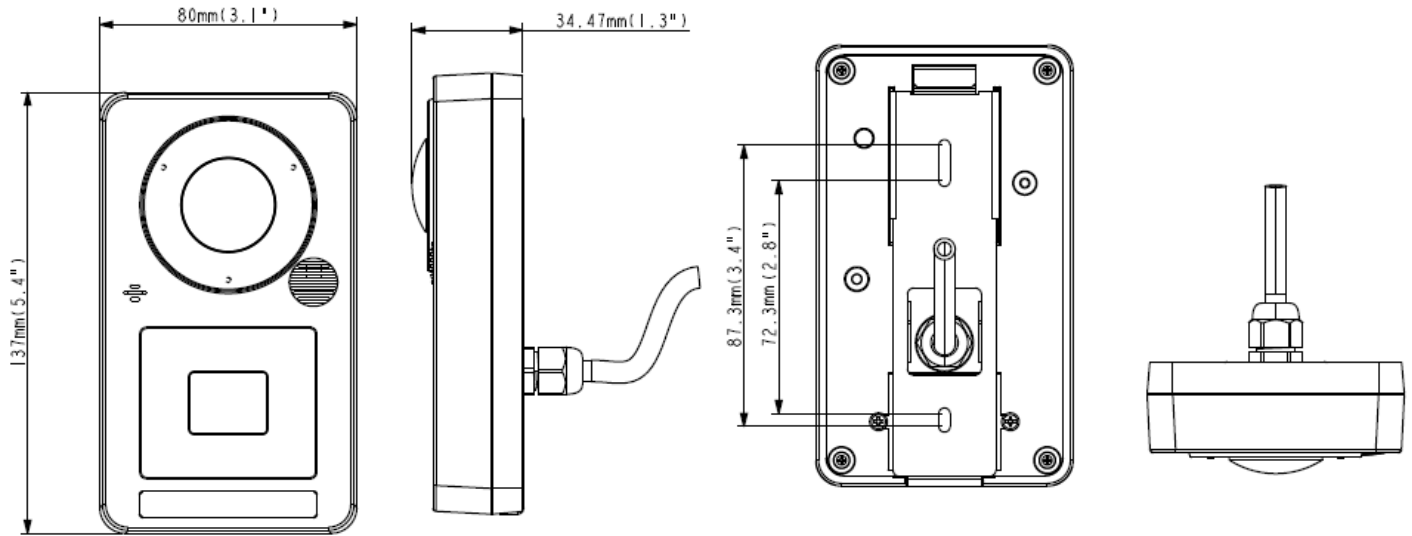
Manage Employees

No Face Wearing a hat/glasses Front Face

ACCESS DENIED ACCESS DENIED ACCESS GRANTED

No Face, No Access

Dimensions



Key Features

Camera

- 2 MP progressive scan super low lux CMOS
- Minimum illumination at 0.02 lux
- Dual streams from H.264 and MJPEG
- Up to 15 fps at 1920 x 1080
- Day and night function (with removable IR-cut filter)
- Built-in IR with effective distance up to 3 m (9.84 ft)
- Ingress protection (IP66)
- 12V DC, 2.5A / PoE+ (IEEE 802.3at)
- Built-in microphone and speaker
- Wide Dynamic Range (WDR)
- Built-in micro SD card slot
- Provides 180° panorama view

Reader

- 13.56 MHz reader (Mifare DESFire, MIFARE Plus and MIFARE Classic)
- Support for GeoVision access cards with GID (GeoVision Identifier) to enhance security
- Access by card swiping plus face detection
- Network interface for connecting to and access control by controllers
- Support for GV-WTR for connecting to and access control by 3rd-party Wiegand controllers

Access Control

- 2 inputs, dry contact
- 1 relay output (30V DC, 0.5A)
- Touchpad to activate two-way communication between the operator and visitors
- Snapshots captured upon card presented and touchpad activated
- SIP/VoIP calling support
- Different access control modes enabled according to the Authentication Schedule: Card only mode (default), Card and Face Mode
- GV-Access app for push notifications

Specifications

Camera		
Image Sensor		1/2.8" progressive scan super low lux CMOS
Picture Elements		1920 (H) x 1080 (V)
Minimum Illumination	B/W	0.02 Lux
Shutter Speed		Automatic, Manual (1/5 ~ 1/8000 sec)
White Balance		Automatic, Manual (2800K ~ 8500K)
S/N Ratio		52 db
Lens		
Megapixel		Yes
Day / Night function		Yes (with removable IR-cut filter)
Lens Type		Fixed
Focal Length		1.7 mm
Maximum Aperture		F/2.5
Mount		M12
Image Format		1/2.8"
Horizontal FOV		180°
IR LED Quantity		2
Max. IR Distance		3 m (9.84 ft.)
Operation		
Video Compression		H.264, MJPEG
Video Streaming		Dual streams from H.264 and MJPEG
Video Resolution	Stream 1	1920 x 1080 (16:9)
	Stream 2	640 x 360 (16:9)
Frame Rate		15 fps at 1920 x 1080 * The frame rate and the performance may vary depending on the number of connections and data bitrates (different scenes).
Image Setting		Brightness, Contrast, Saturation, Sharpness, Gamma, White Balance, Image Orientation, Shutter Speed
Audio Compression		G.711
Network		
Interface		10/100 Ethernet
Protocol		DHCP, DynDNS, FTP, HTTP, HTTPS, NTP, PSIA, QoS (DSCP), RTSP, SIP, SMTP, SNMP, TCP, UDP, UPnP, 3GPP/ISMA
Mechanical		
Local Storage		Micro SD card
Connectors	Power	2-pin terminal block
	Ethernet	Ethernet (10/100 Base-T), RJ-45 Connector
	Audio	Built-in microphone and speaker
	RS-485	RS-485 +, RS-485 -
General		
Operating Temperature		-10 ~ 50 °C (14 ~ 122 °F)
Humidity		10% to 90% (no condensation)
Power Source		12V DC, 2.5A / PoE+ (IEEE 802.3at)
Maximum Power Consumption		25.5 W
Regulatory		CE, FCC, RCM, RoHS compliant
Dimensions		137 x 80 x 34.5 mm (5.4 x 3.15 x 1.36 in)
Weight		315 g (0.69 lb)
Ingress Protection		IP66
Web Interface		
Installation Management		Web-based configuration
Maintenance		Firmware upgrade through Web Browser or GV-IP Device Utility

Access from Web Browser	Camera live view, change video quality, bandwidth control, image snapshot, audio, picture in picture, picture and picture
Language	English / French / Portuguese / Russian / Spanish / Traditional Chinese
Applications	
Mobile Phone support	embedded 3GPP/ISMA browser
Live Viewing	Web browser (IE, Edge, Chrome, Firefox)
Access Control / LPR Management	GV-ASManager
Reader	
CPU	32-bit RISC microprocessor
Frequency	13.56 MHz for ISO14443A (Mifare DESFire, Mifare Plus and Mifare Classic)
RS-485 Interface	1 RS-485 interface for GV-WTR
TCP/IP Interface	1 TCP/IP interface for GV-AS controller
Communication Protocol	TCP/IP
Digital I/O	2 inputs, dry contact NO/NC 1 relay output (30V DC, 0.5A)
ID Formats	GID and UID

Note:

1. To support face detection function, avoid placing the camera reader where the light source is directly behind the subject.
2. All specifications are subject to change without notice.

Compatible GV-ASManager and GV-AS Controller

- **GV-ASManager:** V5.1.0 or later
- **GV-AS210 / 2110 / 2111:** V2.20 or later
- **GV-AS410 / 4110 / 4111:** V2.20 or later
- **GV-AS810 / 8110 / 8111:** V2.20 or later
- **GV-AS1520:** V2.02 or later
- **GV-AS1620:** V1.00 or later
- **GV-CS1320:** V3.00 or later

Packing List

- GV-CR1320
- Mounting Plate
- Standard Screw x 2
- Plastic Screw Anchor x 2
- Security Screw
- Torx Wrench
- Silica Gel Bag
- Micro SD Card 2 GB (inserted and formatted)
- Download Guide
- Warranty Card

Options

Optional devices can expand the capabilities and versatilities of your GV-AS Controllers. Consult our sales representative for more information.

GV-AS ID Card / Key Fob & GV-UHF Tag	125 KHz and 13.56 MHz cards / key fobs, 900 MHz UHF Tag are available.
GV-CS1320	GV-CS1320 is an access controller with a built-in 2 MP camera and 13.56 MHz reader. It can manage up to 40,000 access cards and be connected to up to 2 extended readers.
GV-AS1520	GV-AS1520, designed for parking lot management, is a controller with a built-in Radio Frequency Identification (RFID) reader and able to store up to 100,000 cards.
GV-AS2120 / 4110 / 4111 / 8110 / 8111	GV-AS series are controllers used to manage up to 4/8 doors via connected readers and have the capability of storing and granting / restricting access for up to 100,000 cards.
GV-IB25 / 65 / 85 Infrared Button	GV-IB25 / 65 / 85 Infrared Button detects infrared movement within 3 to 12 cm and allows you to open the door with a wave of hand.
GV-WTR	GV-WTR is a converter designed for converting Wiegand interface to RS-485 interface, and vice versa. It enables 3rd party readers to be connected to RS-485 GV-Controllers, as well as allowing GV-AI FR (software) and GV-CR1320 (RS-485 camera reader) to be connected to 3 rd -party Wiegand controllers.
Electric Lock	Three types of electric locks are available: electromagnetic lock, electric bolt and electric strike.
Power Adapter	Contact our sales representatives for the countries and areas supported.
Push Button Switch	The push button switch can be integrated with any standard access control systems, allowing door exit by activating or deactivating the electric locking device. Both American standard and European standard push buttons are available.