

Carlton® Door Chimes

Stocked Items:

Wired Chimes

Wireless Chimes

Pushbuttons and

Accessories



Special Order Items:

Wired Chimes

Wireless Chimes

Pushbuttons and

Accessories



Table of Contents

Stocked Items

Wired Chimes

Chime Kits:

Two-Button Chime Kits	2
Stucco Button Chime Kits	2
Stucco Buttons.....	2

Wireless Chimes

Plug-In Chimes:

One-Button Chime	3
Two-Button Chime	3
Extend-A-Chime®	3
Entrance Alert Chime	3

Accessories & Installation

Transmitter Buttons	4
Batteries	4
Add-On Chime	4
Installation	5 - 6

Special Order Items

Wired Chimes

Decorative Chimes	8 - 9
Specialty Chimes	10
Classic Chimes	11 - 12
Intercoms, Transformers.....	13
Buzzer, Bell, Wire, Electric Door Strike	14
Pushbuttons	15 - 19

Wireless Chimes

Battery-Operated:

Decorative Chimes	20
Specialty Chimes.....	21
Classic Chimes	22

Plug-In:

Classic Chimes	23
Extend-A-Chime®	23

Entrance Alert:

Plug-In	24
Battery-Operated	24

Accessories:

Transmitter Button, Batteries	24
-------------------------------------	----

Chime Kits

Two Button Chime Kits



CK225

- Two lighted buttons - one gold, one white
- 16V transformer
- One or two door operation - two notes for front door and one note for back

Finish	Push Buttons	Dimensions H x W x D	Std. Ctn. Qty.	Std. Ctn. Wt. (lbs.)
White	1 Gold - lighted 1 White - lighted	7 1/2" x 3 7/8" x 2"	12	24.1



CK221RP

- Two unlighted buttons - white
- 16V transformer
- One or two door operation - two notes for front door and one note for back

Finish	Push Buttons	Dimensions H x W x D	Std. Ctn. Qty.	Std. Ctn. Wt. (lbs.)
White	2 White - unlighted	7 1/2" x 3 7/8" x 2"	9	18.1



Stucco Button Chime Kits



CK260

- One lighted brass button
- Mounting tube for new construction
- 16V transformer
- One or two door operation - two notes for front door and one note for back (2nd button sold separately)

Finish	Push Buttons	Dimensions H x W x D	Std. Ctn. Qty.	Std. Ctn. Wt. (lbs.)
White	1 Brass - lighted	7 3/16" x 4" x 2 1/8"	12	24.9



CK263

- One lighted satin nickel button
- Mounting tube for new construction
- 16V transformer
- One or two door operation - two notes for front door and one note for back (2nd button sold separately)

Finish	Push Buttons	Dimensions H x W x D	Std. Ctn. Qty.	Std. Ctn. Wt. (lbs.)
White	1 Satin nickel - lighted	7 3/16" x 4" x 2 1/8"	12	24.9

Stucco Buttons



DH1260L

Finish	Lighted or Unlighted	Std. Ctn. Qty.	Std. Ctn. Wt. (lbs.)
Brass	Lighted	6	0.8



DH1263L

Finish	Lighted or Unlighted	Std. Ctn. Qty.	Std. Ctn. Wt. (lbs.)
Satin Nickel	Lighted	6	0.8

Plug-In Chimes

One Button Chime

RC3250



- One unlighted white button
- 13 sound options
- Different sounds for front, back and other doors
- 2.25" speaker w/ volume control
- 32 selectable codes block interference
- Up to 150 foot operating range

Finish	Push Buttons	Dimensions H x W x D	Std. Ctn. Qty.	Std. Ctn. Wt. (lbs.)
White	1 White - unlighted	5" x 3 1/16" x 2 1/8"	3	2.6

Two Button Chime Kits

RC3252



- Two unlighted white buttons
- 13 sound options
- Different sounds for front, back and other doors
- 2.25" speaker w/ volume control
- 32 selectable codes block interference
- Up to 150 foot operating range

Finish	Push Buttons	Dimensions H x W x D	Std. Ctn. Qty.	Std. Ctn. Wt. (lbs.)
White	2 White - unlighted	5" x 3 1/16" x 2 1/8"	3	2.9

Extend-A-Chime®

RC3200



- Extends existing wired bell system
- 6 sound options
- 2.25" Speaker
- 32 selectable codes block interference
- Up to 150 foot operating range

Finish	Push Buttons	Dimensions H x W x D	Std. Ctn. Qty.	Std. Ctn. Wt. (lbs.)
White	–	5" x 3 1/16" x 2 1/8"	3	2.1

Entrance Alert Chime

RC3260



- Perfect for business/office to announce visitors
- 13 sound options and alarm
- 32 selectable codes block interference
- Up to 150 foot operating range

Finish	Push Buttons	Dimensions H x W x D	Std. Ctn. Qty.	Std. Ctn. Wt. (lbs.)
White	1 White	5" x 3 1/16" x 2 1/8"	3	2.8

Transmitter Buttons



RC3301

- Weatherproof – use indoors or outdoors
- Works with all Carlon chime systems
- Batteries installed
- Includes double-sided tape and mounting screws
- Fits brick molding
- 32 selectable codes block interference
- Up to 150 foot operating range

Finish	Lighted or Unlighted	Mounting	Dimensions H x W x D	Std. Ctn. Qty.	Std. Ctn. Wt. (lbs.)
White w/ black button	Unlighted	Surface	3 1/4" x 1 1/8" x 1"	6	1.1



RC3341

- Weatherproof – use indoors or outdoors
- Works with all Carlon chime systems
- Batteries installed
- Includes double-sided tape and mounting screws
- Fits brick molding
- 32 selectable codes block interference
- Up to 150 foot operating range

Finish	Lighted or Unlighted	Mounting	Dimensions H x W x D	Std. Ctn. Qty.	Std. Ctn. Wt. (lbs.)
White	Unlighted	Surface	3 1/4" x 1 1/8" x 1"	6	1.1



RC3311

- Weatherproof – use indoors or outdoors
- Works with all Carlon chime systems
- Batteries installed
- Includes double-sided tape and mounting screws
- Fits brick molding
- 32 selectable codes block interference
- Up to 150 foot operating range

Finish	Lighted or Unlighted	Mounting	Dimensions H x W x D	Std. Ctn. Qty.	Std. Ctn. Wt. (lbs.)
Black w/gold plate	Unlighted	Surface	3 1/4" x 1 1/8" x 1"	6	1.1

Batteries



RC3395

- 3-volt battery
- Size CR2032 lithium battery
- Two batteries per package
- For use with buttons RC3301, RC3311, and RC3341



Volts	Std. Ctn. Qty.	Std. Ctn. Wt. (lbs.)
3	12	0.6

Add-On Chime

RC3253

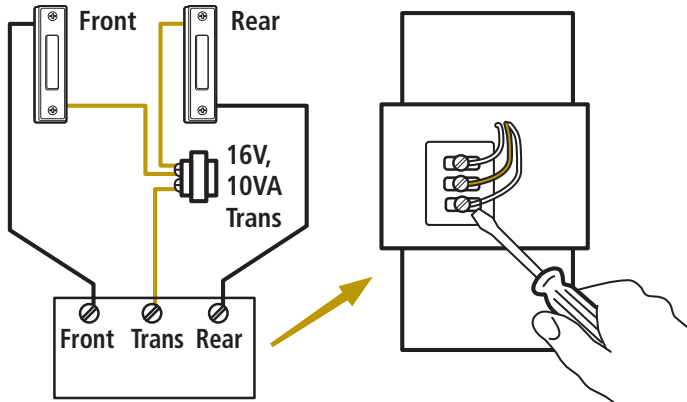


- 13 sound options
- 2.25" speaker w/ volume control
- Up to 150 foot operating range
- 32 changeable codes reduce interference
- Different sounds for front, back and other doors
- For use with Carlon chimes RC3200, RC3250, RC3252, and RC3260

Finish	Push button	Dimensions H x W x D	Std. Ctn. Qty.	Std. Ctn. Wt. (lbs.)
White	–	5" x 3 1/16" x 2 1/8"	6	4.2

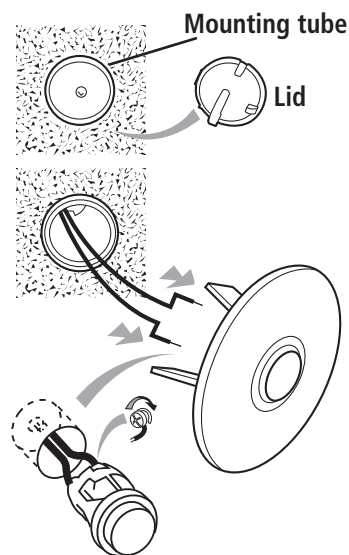
Installation - Chime Kits

Two Button Chime

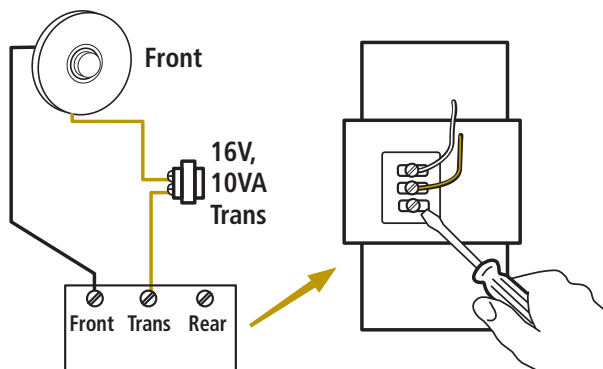


- Always turn off house power before beginning installation.
- Choose a location for your chime receiver which allows it to be seen as well as heard.
- Mount the transformer to a junction or circuit breaker box. Attic location is not recommended
- Using wire nuts, connect power transformer leads to house power leads.
- Extend standard bell wire from transformer and pushbutton(s) terminals to chime. See wiring diagram above for assistance. Be sure to label all wires (front, rear, transformer).
- Insert wires through holes in base and mount base, using provided screws.
- Connect labeled wires to correct terminal screws. See wiring diagram to the left.
- Position chime cover securely over base.

Stucco Chime



- Simple chime replacement does not involve the transformer and it is not necessary to disconnect power source. If old transformer does need replacement, turn off house power before beginning installation.
- Remove the chime cover from the base. Disconnect the wires from terminal screws, marking them front, rear, transformer as they are moved.
- Remove existing chime base from the wall. Insert wires through hole in new chime base and mount base, using provided screws.
- Connect labeled wires to correct terminal screws. See wiring diagram to the left for assistance.
- Position chime cover securely over base.



Installation - RC3250 & RC3252

Mounting back cover of door chime button

NOTE: Mounting door chime button on aluminum siding or metal door frame may reduce range.

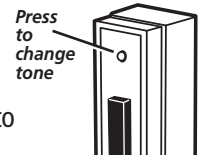
If you want to cover the wire hole from your existing button, save mounting of the new door chime button until after removing the existing button.

1. Remove cover from back of button by inserting ballpoint pen into round hole at bottom of transmitter and gently pushing in on tab. Lift chime button cover away from the back plate.
2. For tape mounting:
 - A.) Make sure surfaces are free of dust, oil, and other substances that could affect adhesion.

- B.) Attach double-sided tape to chime button back cover
 - C.) Making sure that the end with the hook-shaped latch is facing down, press cover firmly to mounting surface.
3. For screw mounting:
 - A.) Place chime button back cover where desired and mark screw locations.
 - B.) Place chime button back cover against mounting surface and screw into marked locations using screws enclosed (may require drilling pilot holes on hardwoods.)

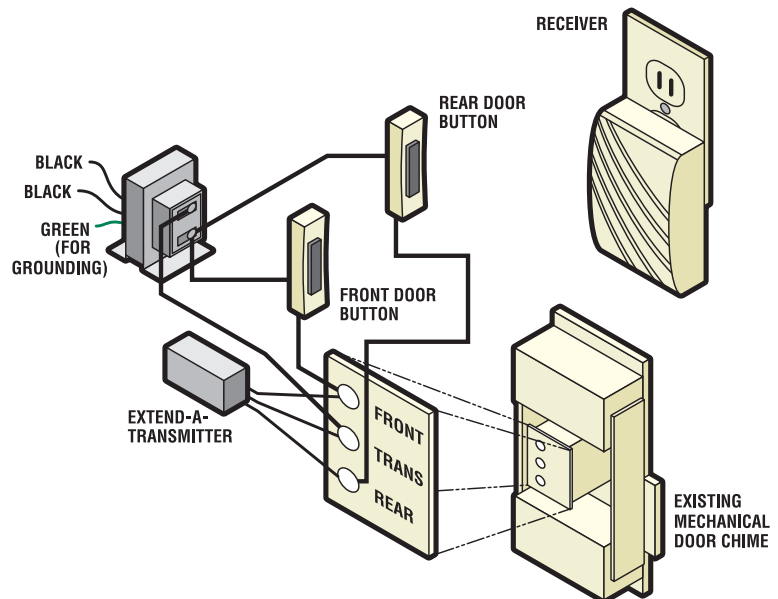
Changing tone/melody selection

To change tone to different tone or melody, press once on the small raised button located on the top of the button. Receiver will play next selection. To continue changing melody or selection, press down once again and wait for receiver to confirm change.



Installation - Extend-A-Chime®

- Connect Extend-A-Chime® transmitter to existing mechanical door chime.
- Press existing doorbell button.
- Existing doorbell rings and sends signal to Extend-A-Chime®.
- Extend-A-Chime® rings.
- Extend-A-Chime® may be placed anywhere user wants to hear doorbell ring: laundry room, garage, work shop, deck.



Special Order
Door Chimes,
Push Buttons
and Accessories

Decorative Chimes



DH600

- Medium finish wood cover with a diagonal design
- One or two door operation
- Sounds two notes for front door and one note for back door

Finish	Dimensions H x W x D	Std. Ctn. Qty.	Std. Ctn. Wt. (lbs.)
Medium	8" x 5 1/8" x 2 1/4"	1	1.7



DH506

- Medium finish wood cover with brass finish tubes
- One or two door operation
- Sounds two notes for front door and one note for back door

Finish	Dimensions H x W x D	Std. Ctn. Qty.	Std. Ctn. Wt. (lbs.)
Medium finish, w/ brass finish tubes	9 1/4" x 7 1/2" x 2 1/4"	1	2.5



DH509

- Cherry finish wood cover with brass finish tubes
- One or two door operation
- Sounds two notes for front door and one note for back door

Finish	Dimensions H x W x D	Std. Ctn. Qty.	Std. Ctn. Wt. (lbs.)
Cherry finish w/ brass finish tubes	9" x 7" x 2 3/8"	1	2.5



DH504

- White cover with brass finish tubes
- One or two door operation
- Sounds two notes for front door and one note for back door

Finish	Dimensions H x W x D	Std. Ctn. Qty.	Std. Ctn. Wt. (lbs.)
White w/ brass finish tubes	8 1/2" x 7 1/2" x 2 1/4"	1	2.2

Installation

For new installation, the following is required:

- 16-volt, 10VA transformer (part # DH905)
- Bell wire (part # DH965)
- Pushbuttons sold separately - see pages 15 - 19

SS624



- Wired shelf chime
- Solid wood medium finish
- One or two door operation
- Sounds two notes for front door and one note for back door

Finish	Dimensions H x W x D	Std. Ctn. Qty.	Std. Ctn. Wt. (lbs.)
Medium	6 ³ / ₄ " x 11 ¹ / ₈ " x 4"	1	3.8

SS686



- Solid wood chime with flower panel
- One or two door operation
- Sounds two notes for front door and one note for back door

Finish	Dimensions H x W x D	Std. Ctn. Qty.	Std. Ctn. Wt. (lbs.)
Medium w/ flower panel	10 ¹ / ₂ " x 6" x 3"	1	2.8

SS689



- Solid wood chime with wire inlay
- One or two door operation
- Sounds two notes for front door and one note for back door

Finish	Dimensions H x W x D	Std. Ctn. Qty.	Std. Ctn. Wt. (lbs.)
Medium w/ wire inlay	8 ⁵ / ₈ " x 6 ³ / ₄ " x 2 ³ / ₈ "	1	2.1

SS696



- Solid wood chime with stain glass design
- One or two door operation
- Sounds two notes for front door and one note for back door

Finish	Dimensions H x W x D	Std. Ctn. Qty.	Std. Ctn. Wt. (lbs.)
Medium w/ stain glass design	9 ¹ / ₂ " x 7 ¹ / ₄ " x 2 ³ / ₄ "	1	2.7

Installation

For new installation, the following is required:

- 16-volt, 10VA transformer (part # DH905)
- Bell wire (part # DH965)
- Pushbuttons sold separately - see pages 15 - 19

Specialty Chimes

Record-A-Chime

Record song using the internal microphone or plug microphone cord (included) into computer, radio or CD player



DH840E

- Superior CD quality sound
- Designed for three door operation
- Three sound options: Ding Dong, Westminster Chimes or your recorded tune

Finish	Dimensions H x W x D	Std. Ctn. Qty.	Std. Ctn. Wt. (lbs.)
White	8 ³ / ₈ " x 6" x 3 ¹ / ₈ "	1	2.0



DH845E

- Superior CD quality sound
- Designed for three door operation
- Three sound options: Ding Dong, Westminster Chimes or your recorded tune

Finish	Dimensions H x W x D	Std. Ctn. Qty.	Std. Ctn. Wt. (lbs.)
Mahogany	17 ³ / ₄ " x 10 ⁷ / ₈ " x 4 ¹ / ₄ "	1	6.3



SS846E

- Superior CD quality sound
- Designed for three door operation
- Three sound options: Ding Dong, Westminster Chimes or your recorded tune

Finish	Dimensions H x W x D	Std. Ctn. Qty.	Std. Ctn. Wt. (lbs.)
Light Oak	17 ³ / ₄ " x 10 ⁷ / ₈ " x 4 ¹ / ₄ "	1	6.3



SS856E

- Battery or transformer operated
- Single, two, or three door operation
- Three sound options: Ding Dong, Westminster Chimes, or your recorded tune

Finish	Dimensions H x W x D	Std. Ctn. Qty.	Std. Ctn. Wt. (lbs.)
Wood	44 ¹ / ₂ " x 11 ¹ / ₄ " x 4 ¹ / ₂ "	1	13.6

Victorian



SS940

- Victorian desk bell
- Solid brass
- Pleasant sound

Finish	Dimensions H x W x D	Std. Ctn. Qty.	Std. Ctn. Wt. (lbs.)
Solid Brass	3" x 3 ³ / ₈ " diameter	1	1.0



DH945

- Victorian shop keeper's bell
- Solid brass
- Pleasant sound
- Mount on door with screws

Finish	Dimensions H x W x D	Std. Ctn. Qty.	Std. Ctn. Wt. (lbs.)
Solid Brass	7 ¹ / ₈ " x 5 ¹ / ₈ " x 2 ⁷ / ₈ "	1	1.0



DH950

- Victorian mechanical doorbell
- Solid brass
- Pleasant sound
- Bell rings continuously as long as handle is being turned

Finish	Dimensions H x W x D	Std. Ctn. Qty.	Std. Ctn. Wt. (lbs.)
Solid Brass	5" x 4 ³ / ₄ " x 3 ¹ / ₂ "	1	1.0

Classic Chimes



DH110

- White chime with grid and gold accents
- One or two door operation
- Sounds two notes for front door and one note for back door

Finish	Dimensions H x W x D	Std. Ctn. Qty.	Std. Ctn. Wt. (lbs.)
White w/ grid and gold accents	7 ³ / ₁₆ " x 4" x 2"	1	1.3



DH120

- White chime with vertical lines
- One or two door operation
- Sounds two notes for front door and one note for back door

Finish	Dimensions H x W x D	Std. Ctn. Qty.	Std. Ctn. Wt. (lbs.)
White w/ vertical lines	7 ¹ / ₂ " x 3 ⁷ / ₈ " x 2"	1	1.2



DH252

- Contemporary white cover
- Battery or transformer operated
- One or two door operation
- Sounds two notes for front door and one note for back door

Finish	Dimensions H x W x D	Std. Ctn. Qty.	Std. Ctn. Wt. (lbs.)
White	7 ¹ / ₂ " x 4 ¹ / ₄ " x 2 ¹ / ₄ "	1	1.2



SS254

- Contemporary grey cover
- Battery or transformer operated
- One or two door operation
- Sounds two notes for front door and one note for back door

Finish	Dimensions H x W x D	Std. Ctn. Qty.	Std. Ctn. Wt. (lbs.)
Grey	7 ¹ / ₂ " x 4 ¹ / ₄ " x 2 ¹ / ₄ "	1	1.2



SS253

- Contemporary nickel finish cover
- Battery or transformer operated
- One or two door operation
- Sounds two notes for front door and one note for back door

Finish	Dimensions H x W x D	Std. Ctn. Qty.	Std. Ctn. Wt. (lbs.)
Nickel	7 ¹ / ₂ " x 4 ¹ / ₄ " x 2 ¹ / ₄ "	1	1.2

Installation - Specialty and Classic Chimes

For new installation, the following is required:

- 16-volt, 10VA transformer (part # DH905)
- Bell wire (part # DH965)
- Pushbuttons sold separately - see pages 15 - 19

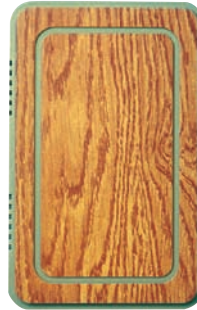
Classic Chimes



DH300

- White contoured cover
- One or two door operation
- Sounds two notes for front door and one note for back door

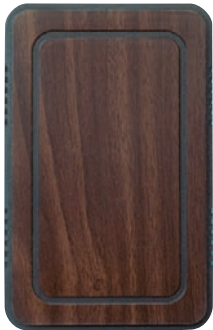
Finish	Dimensions H x W x D	Std. Ctn. Qty.	Std. Ctn. Wt. (lbs.)
White	8" x 5 1/8" x 2 1/4"	1	1.5



DH310

- Tan with medium oak print finish
- One or two door operation
- Sounds two notes for front door and one note for back door

Finish	Dimensions H x W x D	Std. Ctn. Qty.	Std. Ctn. Wt. (lbs.)
Tan w/ medium oak print	8" x 5 1/8" x 2 1/4"	1	1.5



DH315

- Brown with dark oak print finish
- One or two door operation
- Sounds two notes for front door and one note for back door

Finish	Dimensions H x W x D	Std. Ctn. Qty.	Std. Ctn. Wt. (lbs.)
Dark oak print	8" x 5 1/8" x 2 1/4"	1	1.5



DH320

- Brown with mahogany print finish
- One or two door operation
- Sounds two notes for front door and one note for back door

Finish	Dimensions H x W x D	Std. Ctn. Qty.	Std. Ctn. Wt. (lbs.)
Mahogany print	8" x 5 1/8" x 2 1/4"	1	1.5

Installation - Specialty and Classic Chimes

For new installation, the following is required:

- 16-volt, 10VA transformer (part # DH905)
- Bell wire (part # DH965)
- Pushbuttons sold separately - see pages 15 - 19

Door Chime Intercoms

DH705



- Perfect for apartments
- System includes built-in buzzer, talk-listen lever, door-lock release switch and volume control
- Replacement for NuTone® Direct-A-Com 3 Door Communication System

Finish	Dimensions H x W x D a	Std. Ctn. Qty.	Std. Ctn. Wt. (lbs.)
White	6 ³ / ₄ " x 4 ⁷ / ₈ " x 1 ⁷ / ₈ "	1	1.1

DH720



- Outdoor speaker includes nameplate insert and pushbutton
- Indoor speaker includes volume control, adjustable timeout control (set between 25 and 35 seconds), and pull cord
- Designed for use with only one pushbutton

Finish	Dimensions H x W x D	Std. Ctn. Qty.	Std. Ctn. Wt. (lbs.)
Tan w/ medium oak print	7" x 5 ¹ / ₂ " x 1 ¹ / ₂ " Indoor 4 ¹ / ₂ " x 3 ¹ / ₂ " x 1 ³ / ₈ " Outdoor	1	2.4

Transformers

DH905



- For a single chime, bell or buzzer
- 16 volt, 10 VA (watts) transformer
- Dimensions: 2¹/₂" x 2" x 2¹/₄"

Description	Std. Ctn. Qty.	Std. Ctn. Wt. (lbs.)
Wired 16V transformer	1	1.0

DH910



- For up to 2 chimes, bells or buzzers
- 8, 16 or 24 volt AC, 10-20 VA (watts) transformer
- Dimensions: 2¹/₂" x 2" x 2¹/₄"

Description	Std. Ctn. Qty.	Std. Ctn. Wt. (lbs.)
Wired tri-volt transformer	1	1.1

DH915



- For up to 3 chimes, bells or buzzers
- 24 volt AC, 40 VA (watts) transformer
- Dimensions: 2¹/₂" x 2" x 2⁷/₈"

Description	Std. Ctn. Qty.	Std. Ctn. Wt. (lbs.)
Wired 24V transformer	1	1.9

Buzzer



DH920

- All-purpose chrome buzzer
- For use with 3-9 volt DC or 8-16 volt AC transformer
- Single door operation
- Dimensions: 3" x 2 1/2" x 1 1/8"

Description	Std. Ctn. Qty.	Std. Ctn. Wt. (lbs.)
Chrome buzzer	1	0.4

Bell



DH922

- Wired chrome 2 1/2" bell
- For use with 4.5 - 9 volt DC or 8-16 volt AC transformer
- Single door operation
- Dimensions: 6" x 2 1/2" x 1 1/8"

Description	Std. Ctn. Qty.	Std. Ctn. Wt. (lbs.)
2 1/2" Chime bell	1	0.6

Installation - Buzzer and Bell

For new installation, the following is required:

- 16-volt, 10VA transformer (part # DH905)
- Bell wire (part # DH965)
- Pushbuttons sold separately - see pages 15 - 19

Wire



DH965

- 20 AWG wire
- 48 volt maximum
- Low voltage load 65 feet

Description	Std. Ctn. Qty.	Std. Ctn. Wt. (lbs.)
20 AWG bell wire	1	0.5

Electric Door Strike



DH970

- Brass plated
- For use with lock sets having up to 1/2" throw
- For use in new or replacement installations in wood or metal jambs
- Voltage class: 8-16V AC, 4-6V DC, 0.9 - 2.5 amps, 2.2 ohms
- Sound: AC - buzz
DC - silent

Description	Std. Ctn. Qty.	Std. Ctn. Wt. (lbs.)
Brass plated electric door strike	1	1.1

Classic Push Buttons

Silver

DH1201L



DH1404L



DH1504L



(Metal)

White

DH1408L



SS1508L



(Metal)

DH1814



SS1612L



(Wrought iron)

Gold

DH1202L



DH1405L



DH1505L



(Metal)

Black

DH1407L



DH1824



DH1610L



(Wrought iron)

SS1507L



(Metal)

Brass

DH1605



DH1608L



Antique Brass

DH1615L



(Wrought iron)

DH1607



Two-tone

DH1203L



Part No.	Lighted or Unlighted	Mounting	Dimensions H x W x D	Std. Ctn. Qty.	Std. Ctn. Wt. (lbs.)
*DH1201	Unlighted	Flush	7/8" Diameter	1	0.1
*DH1201L	Lighted	Flush	7/8" Diameter	1	0.1
*DH1202	Unlighted	Flush	7/8" Diameter	1	0.1
*DH1202L	Lighted	Flush	7/8" Diameter	1	0.1
*DH1203L	Lighted	Flush	7/8" x 3/4" Diameter	1	0.1
*DH1404L	Lighted	Surface	2-7/8" x 7/8" x 3/4"	1	0.1
*DH1405L	Lighted	Surface	2-7/8" x 7/8" x 3/4"	1	0.1
*DH1407	Unlighted	Flush	2-7/8" x 7/8" x 3/4"	1	0.1
*DH1407L	Lighted	Surface	2-7/8" x 7/8" x 3/4"	1	0.1
*DH1408	Unlighted	Surface	2-7/8" x 7/8" x 3/4"	1	0.1
*DH1408L	Lighted	Flush	2-7/8" x 7/8" x 3/4"	1	0.1
*DH1504L	Lighted	Surface	2-7/8" x 1" x 3/4"	1	0.1
*DH1505L	Lighted	Surface	2-7/8" x 1" x 3/4"	1	0.1
*SS1507L	Lighted	Surface	2-3/4" x 1" x 5/8"	1	0.1
*SS1508L	Lighted	Surface	2-3/4" x 1" x 5/8"	1	0.1
DH1605	Unlighted	Surface	1-3/4" Diameter	1	0.1
DH1607	Unlighted	Surface	1-3/4" Diameter	1	0.1
DH1608L	Lighted	Flush	3" x 1-1/4" x 1"	1	0.1
*DH1610L	Lighted	Flush	3-7/8" x 1-1/8" x 7/8"	1	0.1
*SS1612L	Lighted	Flush	3-7/8" x 1-1/16" x 1"	1	0.1
*DH1615L	Lighted	Flush	3-7/8" x 1-1/8" x 7/8"	1	0.1
*DH1814	Unlighted	Surface	2-1/8" x 7/8" x 3/4"	1	0.1
*DH1824	Unlighted	Surface	2-1/8" x 7/8" x 3/4"	1	0.1

For use with wired chimes, buzzers and bells. 8-24V. Do not use with battery powered chimes
*Fits brick molding

Decorative Push Buttons

Brass

DH1630L



SS1911



SS1920



DH1669L



DH1650L



DH1667L



SS1668L



DH1665L



SS1663L



DH1670L



Satin Nickel

DH1633L



SS1673L



DH1653L



Part No.	Lighted or Unlighted	Mounting	Dimensions H x W x D	Std. Ctn. Qty.	Std. Ctn. Wt. (lbs.)
DH1630L	Lighted	Flush	2-7/8" x 1-1/4" x 7/8"	1	0.2
DH1633L	Lighted	Flush	2-7/8" x 1-1/4" x 7/8"	1	0.2
DH1650L	Lighted	Flush	2-1/4" Diameter	1	0.2
DH1653L	Lighted	Flush	7/8" x 2-1/4" diameter	1	0.2
SS1663L	Lighted	Flush	5-1/4" x 1-3/8" x 3/4"	1	0.3
DH1665L	Lighted	Flush	3-1/4" x 1-1/2" x 3/4"	1	0.2
DH1667L	Lighted	Flush	3-1/4" x 1-1/2" x 3/4"	1	0.2
SS1668L	Lighted	Flush	3-1/4" x 1-3/8" x 3/4"	1	0.2
DH1669L	Lighted	Flush	2-3/4" x 1-3/8" x 3/4"	1	0.2
DH1670L	Lighted	Flush	3-1/2" x 1-1/2" x 1"	1	0.2
SS1673L	Lighted	Flush	3-3/8" x 1-1/2" x 1"	1	0.2
SS1911	Unlighted	Flush	3" x 1-3/8" x 3/4"	1	0.3
SS1920	Unlighted	Surface	3" x 1-1/4" x 7/8"	1	0.3

For use with wired chimes, buzzers and bells. 8-24V.
Do not use with battery powered chimes

Antique Brass

DH1691L



DH1651L



DH1631L



DH1641L



Copper

SS1645L



DH1635L



DH1695L



Oil-Rubbed Bronze

DH1632L



DH1652L



Verde

DH1636L



Part No.	Lighted or Unlighted	Mounting	Dimensions H x W x D	Std. Ctn. Qty.	Std. Ctn. Wt. (lbs.)
DH1631L	Lighted	Flush	2-7/8" x 1-1/4" x 1"	1	0.2
DH1632L	Lighted	Flush	2-7/8" x 1-1/4" x 1"	1	0.2
DH1635L	Lighted	Flush	2-7/8" x 1-1/4" x 7/8"	1	0.2
DH1636L	Lighted	Flush	2-7/8" x 1-1/4" x 1"	1	0.2
DH1641L	Lighted	Flush	3-3/8" x 1-1/4" x 1"	1	0.2
SS1645L	Lighted	Flush	3-3/8" x 1-1/4" x 1"	1	0.2
DH1651L	Lighted	Flush	2-1/4" diameter	1	0.2
DH1652L	Lighted	Flush	2-1/4" diameter	1	0.2
DH1691L	Lighted	Flush	2-7/8" x 1-1/4" x 1"	1	0.2
DH1695L	Lighted	Flush	2-7/8" x 1-1/4" x 1"	1	0.2

For use with wired chimes, buzzers and bells. 8-24V.
Do not use with battery powered chimes

Vicki Lane Decorative Collection

These hand-cast resin doorbells add an unexpected flair to any entryway. Colorful and unique, they include instructions for connection to existing wiring.

- For use with wired chimes, bells and buzzers
- Hand painted
- Lighted

SS1753L



Magnolia

SS1755L



Seashells

DB26



Grape cluster

DB36



Horse

DB16



Chickadees

DB17-BW



Raiding birdhouse

DB31-BE



Beagle and kitten

SS1754L



Frog

DB19



Timber wolf

DB23



Northwest pine

SS1750L



Hummingbird

SS1758L



Lighthouse

DB25



Jumping bass

Order Information:

- Minimum order quantity: 1
- Allow 4-6 weeks for delivery

Custom Designed

- For use with wired chimes, bells, and buzzers.
- Hand crafted lighted buttons
- Made of solid stone and oil rubbed bronze or pewter

How To Order...

Pick a Travertine Base, then add an Accent Button to create your own personalized doorbell.

- Minimum order quantity: 1
- Allow 4-6 weeks for delivery



LTR-N

+



PW-HB

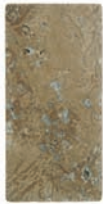
=



PW-HB-LTR-N

Travertine Base

DTR-N



Dark narrow travertine
2" x 4"

LTR-N



Light narrow travertine
2" x 4"

DTR-S



Dark Smooth travertine
4" x 4"
Diamond set
5" tip to tip

DTR-S



Light Smooth travertine
4" x 4"
Diamond set
5" tip to tip

Accent Button

ORB-CP



Compass

ORB-GE



Gecko

PW-AH



Arrowhead

PW-BS



Bass

PW-CT



Cat with Pots

PW-CP



Compass

PW-CB



Cowboy Boots

PW-GE



Gecko

PW-GC



Golf Clubs

PW-HB



Hummingbird

PW-PI



Pineapple

PW-SB



Sailboat

PW-SW



Swirl

PW-TR



Trout

PW-WG



Wine Grapes

Disclaimer: Our doorbells are handmade from natural materials, so the stone on the actual doorbell you receive may vary slightly, and is guaranteed one-of-a-kind!

Oil Rubbed Bronze (ORB)

Deep, dark brown finish with a luster coat.

Pewter Finish (PW)

Silver, nickel finish with darker patina in crevasses for effect.

Decorative Chimes



RC3306F

- Solid wood cover with brass finish tubes
- Battery operated - 4 "D" batteries
- Volume control
- 4 inch speaker
- Up to 150 foot operating range
- 13 Sound Options
- 32 selectable codes block interference

Finish	Dimensions H x W x D	Std. Ctn. Qty.	Std. Ctn. Wt. (lbs.)
Medium w/ brass finish tubes	8 ³ / ₄ " x 7 ¹ / ₄ " x 2 ¹ / ₂ "	1	2.4



RC3304F

- White cover with brass finish tubes
- Battery operated - 4 "D" batteries
- Volume control
- 4 inch speaker
- Up to 150 foot operating range
- 13 Sound Options
- 32 selectable codes block interference

Finish	Dimensions H x W x D	Std. Ctn. Qty.	Std. Ctn. Wt. (lbs.)
White w/ brass finish tubes	8 ³ / ₈ " x 7 ¹ / ₄ " x 2 ¹ / ₄ "	1	2.1



RC3676

- Solid wood clock chime
- Battery operated - 4 "C" batteries
- 13 sound options
- Volume control
- 32 selectable codes block interference
- Up to 150 foot operating range

Finish	Dimensions H x W x D	Std. Ctn. Qty.	Std. Ctn. Wt. (lbs.)
Medium	9 ¹ / ₂ " x 7 ³ / ₈ " x 3 ⁷ / ₈ "	1	3.9



RC3624

- Solid wood shelf chime
- Battery operated - 4 "C" batteries
- 13 sound options
- Volume control
- 32 selectable codes block interference
- Up to 150 foot operating range

Finish	Dimensions H x W x D	Std. Ctn. Qty.	Std. Ctn. Wt. (lbs.)
Medium	11 ¹ / ₂ " x 6 ¹ / ₄ " x 3 ⁷ / ₈ "	1	3.9



RC3346

- Battery operated - 4 "C" batteries
- 13 sound options
- Volume control
- 32 selectable codes block interference
- Up to 150 foot operating range

Finish	Dimensions H x W x D	Std. Ctn. Qty.	Std. Ctn. Wt. (lbs.)
Medium	16 ¹ / ₄ " x 9" x 3 ¹ / ₂ "	1	3.1



RC3196

- Corner chime
- 6 Sound Options
- 32 selectable codes block interference
- Up to 150 foot operating range

Finish	Dimensions H x W x D	Std. Ctn. Qty.	Std. Ctn. Wt. (lbs.)
White	8" x 6 ³ / ₄ " x 5 ¹ / ₄ "	1	1.9

Specialty Chimes

CD Quality Sound

RC4100



- Battery operated
- 3 sound options
- 3 inch speaker
- Volume control
- 32 selectable codes block interference
- Up to 150 foot operating range

Finish	Dimensions H x W x D	Std. Ctn. Qty.	Std. Ctn. Wt. (lbs.)
White	7 ¹ / ₂ " x 6 ³ / ₈ " x 2"	1	1.4

RC4300



- Battery operated
- 13 sound options
- 4 inch speaker
- Adjustable volume control
- Different sounds for front, back and other doors
- 32 selectable codes block interference
- Up to 150 foot operating range

Finish	Dimensions H x W x D	Std. Ctn. Qty.	Std. Ctn. Wt. (lbs.)
White w/ brass finish tubes	8 ¹ / ₄ " x 7 ¹ / ₄ " x 2 ¹ / ₄ "	1	2.2

Record-A-Chime

RC4336



- Solid wood with brass finish tubes
- Battery operated
- CD quality sound
- 3 sound options: 2 pre-set, 1 recordable
- 4 inch speakers
- Volume Control
- Computer "connector" to download sounds
- 32 selectable codes block interference
- Up to 150 foot operating range

Finish	Dimensions H x W x D	Std. Ctn. Qty.	Std. Ctn. Wt. (lbs.)
Medium	8 ⁷ / ₈ " x 7 ¹ / ₄ " x 2 ⁵ / ₈ "	1	2.5

RC4346



- Solid wood with hanging brass finish tubes
- Battery operated
- CD quality sound
- Designed for 3 door operation
- 3 sound options: 2 pre-set, 1 recordable
- 32 selectable codes block interference
- Up to 150 foot operating range

Finish	Dimensions H x W x D	Std. Ctn. Qty.	Std. Ctn. Wt. (lbs.)
Medium	17 ¹ / ₂ " x 10 ³ / ₄ " x 4 ¹ / ₈ "	1	6.7

Wireless Chimes - Battery Operated

Classic Chimes

Economy Chime



(Compatible only with RC5101 and RC5120)

RC5110

- Battery operated - 2 "AA" batteries
- 2 sound options
- Red light on button illuminates when working
- Belt clip for use as a portable pager
- 32 frequency codes
- Up to 100 foot operating range

Finish	Dimensions H x W x D	Std. Ctn. Qty.	Std. Ctn. Wt. (lbs.)
White	4 5/8" x 3" x 1 1/2"	1	0.5

RC3190D



- Battery operated - 2 "AA" batteries
- 8 sound options
- Compact size
- 2 inch speaker
- Belt clip for use as a portable pager
- 32 selectable codes block interference
- Up to 150 foot operating range

Finish	Dimensions H x W x D	Std. Ctn. Qty.	Std. Ctn. Wt. (lbs.)
White	4" x 2 3/4" x 1 5/8"	1	0.5

Weatherproof



RC3510D

- Ideal for patios and decks
- Battery operated - 4 "C" batteries
- 13 sound options
- Mounts vertically or horizontally
- Low battery indicator
- Up to 150 foot operating range
- 32 selectable codes block interference

Finish	Dimensions H x W x D	Std. Ctn. Qty.	Std. Ctn. Wt. (lbs.)
White	6 3/4" x 2 5/8" x 1 1/2"	1	1.1

RC3520



- Battery operated - 4 "C" batteries
- 13 sound options
- Different sounds for front and back door
- 32 selectable codes block interference
- Up to 150 foot operating range

Finish	Dimensions H x W x D	Std. Ctn. Qty.	Std. Ctn. Wt. (lbs.)
White	6 3/4" x 5 1/4" x 1 1/2"	1	1.0

Wallpaper and paintable



RC3410

- Front panel can be wallpapered or painted
- Battery operated - 4 "C" batteries
- 13 sound options
- Mounts vertically or horizontally
- Different sounds for front and back door
- 32 selectable codes block interference
- Up to 150 foot operating range

Finish	Dimensions H x W x D	Std. Ctn. Qty.	Std. Ctn. Wt. (lbs.)
White	6 3/4" x 5 1/4" x 1 5/8"	1	1.4

Wallpaper and paintable



RC3610

- Front panel can be wallpapered
- Battery operated - 4 "C" batteries
- 13 sound options
- Snap-in wood trim (light/dark) included
- 32 selectable codes block interference
- Up to 150 foot operating range

Finish	Dimensions H x W x D	Std. Ctn. Qty.	Std. Ctn. Wt. (lbs.)
White w/ snap-in light & dark wood trim	6 3/4" x 5 1/4" x 1 5/8"	1	1.5

Classic Chimes

Economy Chime



(Compatible only with RC5101 and RC5110)

RC5120

- Plug-in chime - plugs into any 120V AC electrical outlet
- 2 sound options - Westminster and ding dong
- Red light on button illuminates when working
- Up to 100 foot operating range
- 32 selectable codes block interference

Finish	Dimensions H x W x D	Std. Ctn. Qty.	Std. Ctn. Wt. (lbs.)
White	4 3/8" x 3" x 2 1/4"	1	0.6



RC3730D / RC3732D / RC3733D

- 8 sound options
- 1.5 inch speaker
- Volume control
- 32 selectable codes block interference

Finish	Dimensions H x W x D	Std. Ctn. Qty.	Std. Ctn. Wt. (lbs.)
White	4 3/8" x 2 5/8" x 1 1/2"	1	0.6

Extend-A-Chime®



RC3030D

- Use with existing door chime
- 6 sound options
- 1.5" speaker
- 32 selectable codes block interference

Finish	Dimensions H x W x D	Std. Ctn. Qty.	Std. Ctn. Wt. (lbs.)
White	4 3/8" x 2 5/8" x 1 1/2"	1	0.6

Wireless Entrance Alert Chimes

Plug-In



RC3760D

- Chime sounds when a monitored door is opened
- 8 sound options
- Adjustable volume control
- 32 selectable codes block interference
- Up to 150 foot operating range

Finish	Dimensions H x W x D	Std. Ctn. Qty.	Std. Ctn. Wt. (lbs.)
White	5" x 3 ¹ / ₁₆ " x 2 ¹ / ₈ "	1	0.6



RC3270

- Flashing door chime
- Ability to make lamp flash with tune being played
- Plugs into standard phone outlet
- Transmits signal to chime receiver when phone rings to play sound
- 6 sound options
- 32 selectable codes block interference
- Up to 150 foot operating range

Finish	Dimensions H x W x D	Std. Ctn. Qty.	Std. Ctn. Wt. (lbs.)
White	6 ³ / ₄ " x 4 ¹ / ₂ " x 2 ³ / ₄ "	1	0.6

Battery Operated



RC3450

- Wireless door sensor
- Alarm or chime sounds when transmitter and magnet are separated
- Uses a 6-volt battery (included)
- Indoor use only
- Compatible with all chime systems except the economy chimes

Finish	Dimensions H x W x D	Std. Ctn. Qty.	Std. Ctn. Wt. (lbs.)
White	3 ¹ / ₂ " x 2 ¹ / ₄ " x 1"	1	0.4



RC3095

- Replacement battery for RC3450
- 6-volt alkaline battery
- One battery per card
- Size PX28A alkaline

Volts	Std. Ctn. Qty.	Std. Ctn. Wt. (lbs.)
6	1	0.06

Wireless Chime Accessories

Transmitter Button



RC5101

- Red light illuminates when button is working
- Uses (2) 3-volt lithium batteries (installed)
- Ding dong sound
- 32 selectable codes block interference
- Up to 100 foot operating range

(Compatible only with RC3110 and RC3120)

Finish	Lighted or Unlighted	Mounting	Dimensions H x W x D	Std. Ctn. Qty.	Std. Ctn. Wt. (lbs.)
White	Unlighted	Surface	3 ⁵ / ₈ " x 1" x 3/4"	1	0.2

