

WSSPK Series

Outdoor Speaker and Speaker/Strobe Series

1 unit per carton, 2 pounds per carton

Applications

The Gentex WSSPK Series is an outdoor listed, wall mount, speaker and speaker/strobe designed to meet code requirements for audio, visual and voice communications. The WSSPK Series are quality speaker products that offer both dependable evacuation signaling and visual alarms, or a combination of both.

The WSSPK24 speaker/strobe offers a fixed 15/75 candela. The WSSPK Series provides a 25 or 70.7 VRMs speaker with field selectable power taps of 1/8W, 1/4W, 1/2W, 1W, 2W or 4W.

Included with the WSSPK Series speaker and speaker/strobe is the GBLP outdoor listed back box. Using the GBLP back box with the WSSPK Series provides protection from weather related conditions and allows the necessary full candela output.

The WSSPK devices are ANSI/UL 1480, ANSI/UL 1638 and CAN/ULC S526 and/or CAN/ULC S541 listed and warranted for 3 years from the date of purchase.

Standard Features

- Speaker/strobe nominal voltage 24 VDC
- 24 VDC fixed 15/75 candela
- WSSPK speaker and WSSPK24 speaker/strobe shipped with GBLP outdoor listed back box
- WSSPK unit dimension: 6.1" (15.494 cm) square x 3.19" (8.10 cm) deep
- WSSPK24 unit dimension: 6.1" (15.494 cm) square x 4.06" (10.31) deep
- Speaker voltage 25 or 70.7 VRMs standard, field selectable
- Field selectable power taps: 1/8W, 1/4W, 1/2W, 1W, 2W, 4W
- High quality dBA output (intelligible)
- Frequency range 400-4000Hz
- Screw terminals, separate in/out wiring (12-18 gauge)
- Synchronize use the Gentex AVSM Control Module
- Tamperproof grill
- Faceplate available in red or off-white
- Wall Mount



WSSPK Speaker and WSSPK24 Speaker/Strobes

Model Number	Part Number	Lettering
WSSPKR - Speaker	904-1437-002	
WSSPKW - Speaker	904-1438-002	
WSSPK24-15/75WR	904-1433-002	FIRE Text
WSSPK24-15/75WW	904-1435-002	FIRE Text
WSSPK24-15/75AWR	904-1431-002	ALERT Text
WSSPK24-15/75AWW	904-1432-002	ALERT Text

R = Red Faceplate, W = White Faceplate

A = ALERT text (speaker/strobe only)

All units are available in plain (no lettering)
Plain units are not returnable

SSPK24WLP Strobe Current Ratings (mA)

24 VDC (16-33 Volts)		
Candela	24 VDC	UL Max
15/75	63 mA	96 mA

Speaker dBA @ 10 ft.

Input Watts	25 Volts	70.7 Volts
1/8	74.6 dBA	73.7 dBA
1/4	77.7 dBA	76.7 dBA
1/2	80.5 dBA	79.6 dBA
1	83.1 dBA	82.5 dBA
2	85.6 dBA	85.4 dBA
4	87.9 dBA	87.9 dBA

Product Listings

SIGNALING



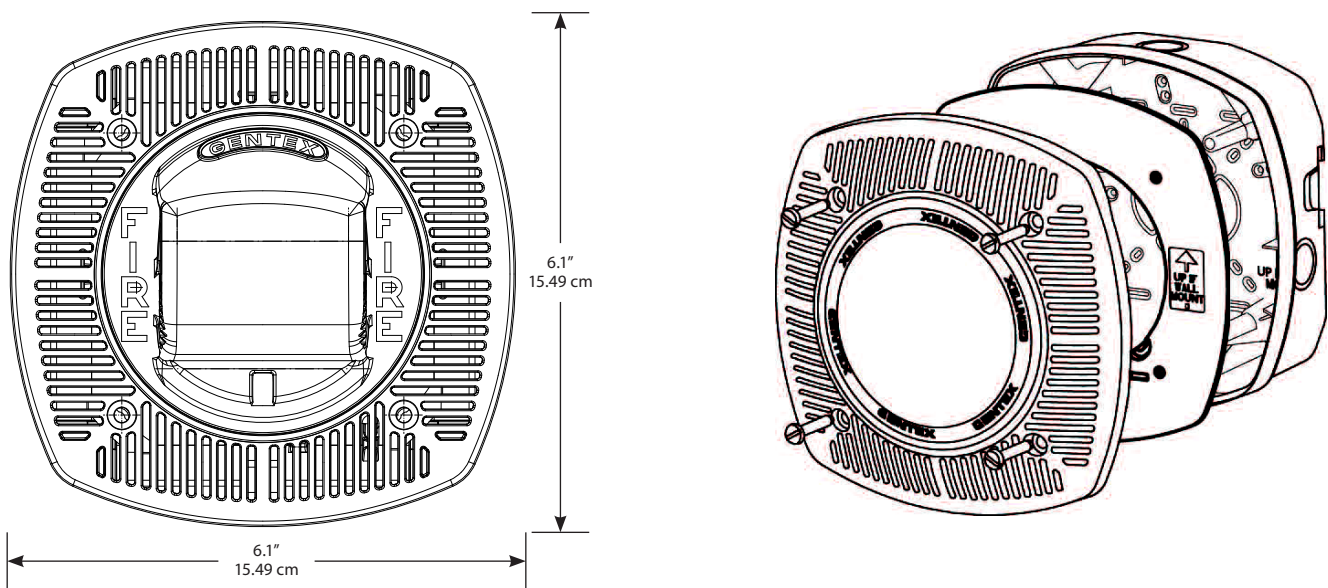
- ANSI/UL 1480 and ANSI/UL 1638 Listed
- CAN/ULC S526 and/or CAN/ULC S541 Listed
- CSFM: 7320-0569:0141

Product Compliance

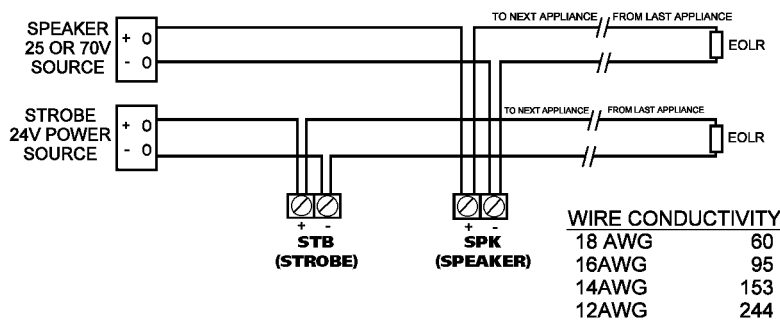
- NFPA 72 and NFPA 720
- IBC/IFC/IRC
- City & State Ordinances/Laws/Regulations
- Quality Management System is certified to: ISO 9001:2008

WSSPK Series

Outdoor Speaker and Speaker/Strobe Series



Wiring Diagram



* MAX. WIRE DISTANCE (IN FEET) = $\frac{\text{PANEL VOLTAGE} - \text{DEVICE MINIMUM VOLTAGE}}{\text{TOTAL CURRENT DRAW}} \times \text{WIRE CONDUCTIVITY (STROBE ONLY)}$

Notes

- Indoor operating temperature: 32° to 120°F (0° to 49°C)
- Outdoor operating temperature: -31° to 150°F (-35° to 66°C)
- The WSSPK Series is listed for outdoor use
- For nominal and peak current across ANSI/UL regulated voltage range for filtered DC power and unfiltered (FWR [Full Wave Rectified]) power, see installation manual
- This appliance is not recommended for use on coded or pulsing signaling circuits

Architect & Engineering Specifications

The fire alarm speaker shall be Gentex WSSPK, WSSPK24 or equivalent and shall be listed by Underwriters Laboratories, Inc. (ANSI/UL) per ANSI/UL 1638, ANSI/UL 1480 and with CAN/ULC S526 and/or CAN/ULC S541 Listed. The speaker shall be capable of producing alarm tones or voice on all 25 or 70.7 VRMs audio systems. The speaker shall provide incremental tap settings of 1/8, 1/4, 1/2, 1, 2 or 4 watts. Minimum dBA rating at 1/4 watt shall be 76.7 dBA at 70.7 volts and a minimum dBA rating at 4 watts shall be 87.9 dBA at 70.7 volts. Tap settings shall be adjustable with field selectable jumper pins. The speaker shall also have an optional visual signal capability with an operating current of 96 mA or less at 24 VDC for the 15/75 Cd strobe circuit. The strobe appliance shall have an input voltage range of 16-33 volts with either direct current or full wave rectified power for 24 volt models. The visual signal shall have a 1Hz flash rate regardless of input voltage. All field wiring connections shall be made via separate in-out terminal connections. The appliance has extended temperature range of -31° to 150°F (-35° to 66° C) and shall satisfy all outdoor and sever environment applications. The GBLP back box includes a gasket that must be inserted between the box and device and include drain holes in the back box to allow for drainage, the seal on the GBLP is not water tight.

GENTEX
CORPORATION

Fire Protection Products Group | 10985 Chicago Drive | Zeeland, MI 49464
gentex.com | Phone: 616.392.7195 | Toll-free: 800.436.8391 | Fax: 616.392.4219

551-0072-03

Important Notice: These materials have been prepared by Gentex Corporation ("Gentex") for informational purposes only, are necessarily summary, and are not purported to serve as legal advice and should not be used as such. Gentex makes no representations and warranties, express or implied, that these materials are complete and accurate, up-to-date, or in compliance with all relevant local, state and federal laws, regulations and rules. The materials do not address all legal considerations as there is inevitable uncertainty regarding interpretation of laws, regulations and rules and the application of such laws, regulations and rules to particular fact patterns. Each person's activities can differently affect the obligations that exist under applicable laws, regulations or rules. Therefore, these materials should be used only for informational purposes and should not be used as a substitute for seeking professional legal advice. Gentex will not be responsible for any action or failure to act in reliance upon the information contained in this material. Gentex Corporation reserves the right to make changes to the product data sheet at their discretion.