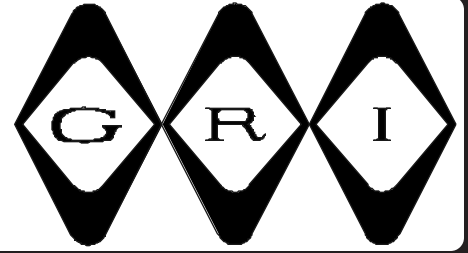


MINIATURE SURFACE MOUNT SWITCH SET



50, 50F & 55F SERIES

- ◆ Excellent For Residential Applications
- ◆ Surface Mount Magnetic Contact
- ◆ Self Stick or Breakaway Screw Down Flange
- ◆ Center or End 12" #22AWG Leads
- ◆ Longer Leads, Zip Cord or Jacketed Cable Upon Request
- ◆ Hermetically Sealed ◆ Plated Contacts Resist Sticking or Freezing
- ◆ Mounting Hardware Included
- ◆ Built-in E.O.L. Resistors and Diodes Upon Request
- ◆ Supervisory Loops Upon Request
- ◆ Switches and Magnets Available Separately
- ◆ Colors: White, Brown, Gray, Almond ◆ Lifetime Warranty



50-12



50F-12



55F-12

PART NUMBERS:

	Closed Loop	Open Loop	SPDT
Standard Gap 1/2" +	50-12 50F-12 55F-12	60-12 60F-12 65F-12	70-12 70F-12 75F-12
Wide Gap 3/4" +	50-12WG 50F-12WG 55F-12WG	60-12WG 60F-12WG 65F-12WG	70-12WG 70F-12WG 75F-12WG

GEORGE RISK INDUSTRIES, INC.
G.R.I. PLAZA
KIMBALL, NE 69145



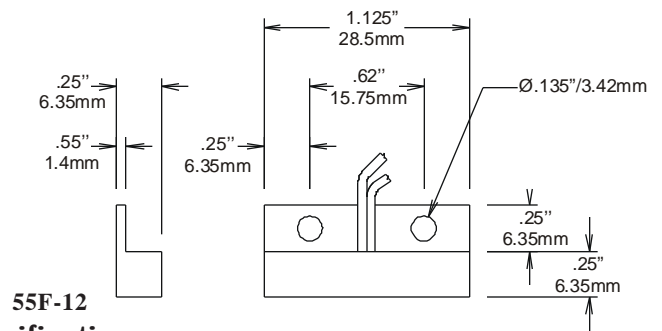
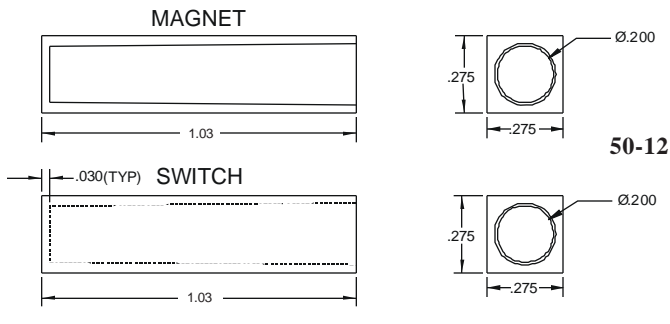
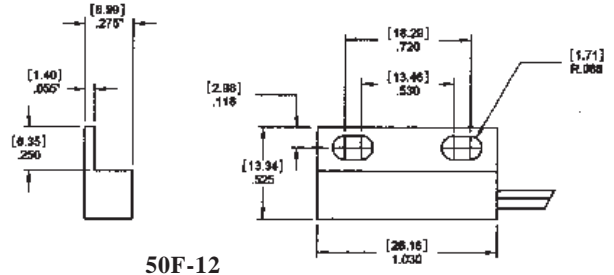
MADE IN U.S.A.

TOLL-FREE 1-800-445-5218
TOLL-FREE 1-800-523-1227
(308) 235-4645
FAX (308) 235-3561
E-MAIL: grisales@megavision.com
WEB SITE: www.grisk.com



MINIATURE SURFACE MOUNT SWITCH SET

INSTALLATION APPLICATIONS: The G.R.I. 50, 50F and 55F series switch sets are the most chosen configurations for residential installations. Low profile and self adhesive 3M tape make installing the sets quick and simple. The 50F and 55F come with a breakaway flange for applications where screw mounts are advisable. The 50 type is self adhesive only. The 50 and 50F have 12" leads exiting the case on the end. The 55F has 12" leads exiting from the middle of the case. Available in open loop, closed loop and SPDT, regular and wide gap, White, Brown, Gray and Almond. All mounting hardware included.



GRI products meet or exceed these minimum general specifications:

PART NUMBER	LOOP TYPE	ELECTRICAL CONFIG.	REED FORM	MAXIMUM INITIAL CONTACT RESISTANCE (Ω)	MAXIMUM CONTACT RATING (W)	MAXIMUM SWITCHING VOLTAGE (VDC)	MAXIMUM SWITCHING CURRENT (A)
50-12	Closed	N/O	A	.150	10	200	.500
50-12WG	Closed	N/O	A	.150	10	160	.400
50F-12	Closed	N/O	A	.150	10	200	.500
50F-12WG	Closed	N/O	A	.150	10	160	.400
55F-12	Closed	N/O	A	.150	10	200	.500
55F-12WG	Closed	N/O	A	.150	10	200	.500
60-12	Open	N/C	B	.140	5	175VDC	.250
60-12WG	Open	N/C	B	.140	5	175VDC	.250
60F-12	Open	N/C	B	.140	5	175VDC	.250
60F-12WG	Open	N/C	B	.140	5	175VDC	.250
65F-12	Open	N/C	B	.140	5	175VDC	.250
65F-12WG	Open	N/C	B	.140	5	175VDC	.250
70-12	Open/Closed	SPDT	C	.140	5	175VDC	.250
70-12WG	Open/Closed	SPDT	C	.140	5	175VDC	.250
70F-12	Open/Closed	SPDT	C	.140	5	175VDC	.250
70F-12WG	Open/Closed	SPDT	C	.140	5	175VDC	.250
75F-12	Open/Closed	SPDT	C	.140	5	175VDC	.250
75F-12WG	Open/Closed	SPDT	C	.140	5	175VDC	.250

WARRANTY:

Lifetime warranty against workmanship, material and factory defects.

CONTACT YOUR G.R.I. DISTRIBUTOR OR CALL:

GEORGE RISK INDUSTRIES, INC.
G.R.I. PLAZA
KIMBALL, NE 69145



MADE IN U.S.A.

TOLL-FREE 1-800-445-5218
TOLL-FREE 1-800-523-1227
(308) 235-4645
FAX (308) 235-3561
E-MAIL: grisales@megavision.com
WEB SITE: www.grisk.com