

TILT SENSOR RoHS COMPLIANT

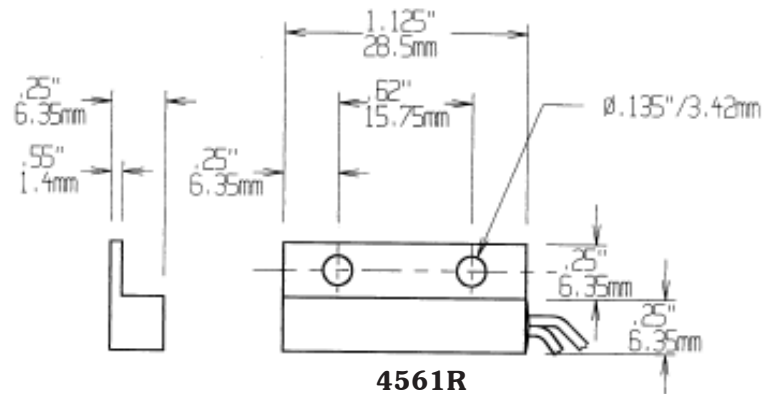


4561R

- ◆ Attractive Miniature Profile
- ◆ Senses Movement Or Removal of Museum Pieces, Paintings, Valuable Art Objects
- ◆ Senses Tampering or Movement Of Equipment Covers
 - ◆ Signals An Alarm If Equipment is Moved



4561R



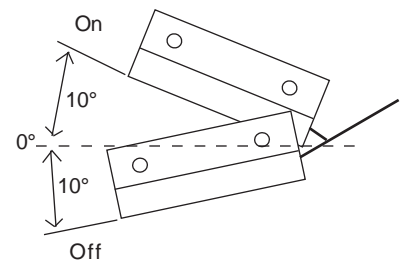
4561R

The GRI RoHS Tilt Switch fits a variety of applications where accurate detection of tampering is critical. The GRI 4561R was designed for use in a closed or open loop zone. The switch is incredibly durable and is hermetically sealed. Operation is based on the tilting of the sensor more than 10°. Using the wires as a reference point, tilt the switch toward the wires and the circuit is closed. Tilting away from the wires opens the circuit. The GRI 4561R Tilt Switch is very precise and accurately assures long reliable service in adverse environments.

Additional Applications: May be used on computer equipment as well as televisions or other valuables in hotels or apartments. Use as a tamper switch on hood convenience lights or as a hatch open indicator. The GRI 4561R Tilt Switch can be used in any situation where the movement or removal of objects must be monitored. The GRI 4561R can be mounted with either screws or adhesive.

SPECIFICATIONS:

Ratings:	Switching Voltage	60VAC Max
	Switching Current	0.25A Max
	Switching Capacity	5VA Max
Maximum Differential Angle: 10 Degrees		



WARRANTY:

One year warranty against workmanship, material and factory defects

GEORGE RISK INDUSTRIES, INC.
GRI PLAZA
KIMBALL, NE 69145



MADE IN U.S.A.

TOLL-FREE 1-800-445-5218
TOLL-FREE 1-800-523-1227
(308) 235-4645

FAX (308) 235-3561

E-MAIL: grisales@megavision.com

WEB SITE: www.grisk.com