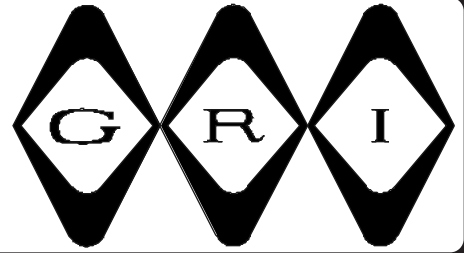


3/8" DIAMETER RECESSED SWITCH SET



2020-12/2020-T SERIES

- ◆ Recessed Magnetic Contacts ◆ Press To Fit
- ◆ 12" Leads #22 AWG Leads or Screw Terminals
- ◆ Longer Leads, Zip Cord or Jacketed Cable Upon Request
- ◆ Hermetically Sealed ◆ Plated Contacts Resist Sticking or Freezing
 - ◆ Built-in E.O.L. Resistors and Diodes Upon Request
 - ◆ Supervisory Loops Available Upon Request
 - ◆ Switches and Magnets Available Separately
- ◆ Colors: White, Brown, Gray, Almond ◆ Lifetime Warranty



2020-12



2020-T

PART NUMBERS:

	Closed Loop	Open Loop	SPDT	DPDT
Standard Gap 1/2" +	2020-12 2020-T	3030-12 3030-T	4040-12	4545-12
Wide Gap 1" +	2020-12WG 2020-TWG	3030-12WG 3030-TWG	4040-12WG	4545-12WG
Extra Wide Gap 1 1/2" +	2020-12XWG 2020-TXWG	3030-12XWG 3030-TXWG	4040-12XWG	

GEORGE RISK INDUSTRIES, INC.
G.R.I. PLAZA
KIMBALL, NE 69145



MADE IN U.S.A.

TOLL-FREE 1-800-445-5218
TOLL-FREE 1-800-523-1227
(308) 235-4645
FAX (308) 235-3561
E-MAIL: grisales@megavision.com
WEB SITE: www.grisk.com

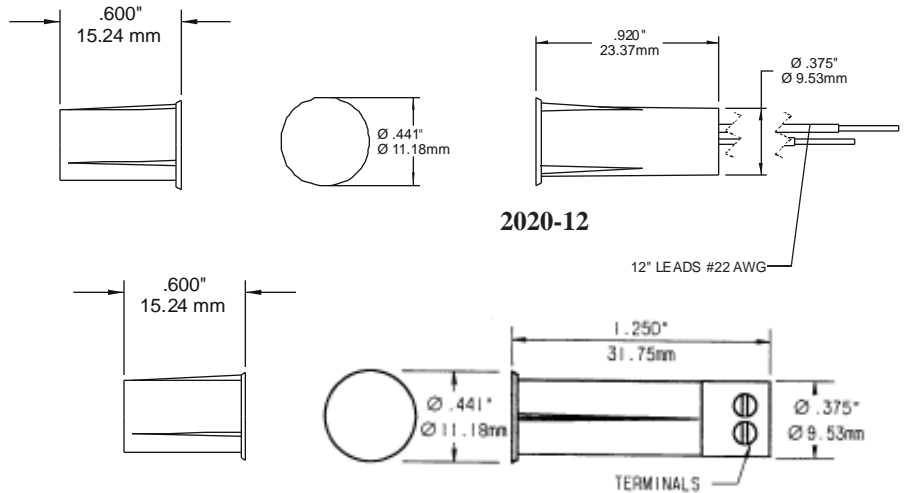


3/8" DIAMETER RECESSED SWITCH SET

INSTALLATION APPLICATIONS:

G.R.I.'s 3/8" recessed press-to-fit contacts can be installed in many different positions to accommodate a variety of applications. The switch and magnet can be mounted end-to-end within an imaginary arc around the switch, or parallel to the switch. When the application calls for a wide gap switch, install the painted end of the bare magnet facing the switch as they are polarity sensitive. The switch and magnet should never form a "T" configuration when installed.

If this series is to be used in a steel door application, G.R.I.'s PA-75 adaptor should be used with a wide gap switch.



GRI products meet or exceed these minimum general specifications:

2020-T

PART NUMBER	LOOP TYPE	ELECTRICAL CONFIG.	REED FORM	MAXIMUM INITIAL CONTACT RESISTANCE (Ω)	MAXIMUM CONTACT RATING (W)	MAXIMUM SWITCHING VOLTAGE (VDC)	MAXIMUM SWITCHING CURRENT (A)
2020-12	Closed	N/O	A	.150	10	200	.500
2020-12WG	Closed	N/O	A	.150	10	200	.400
2020-12XWG	Closed	N/O	A	.150	10	200	.400
2020-T	Closed	N/O	A	.150	10	160	.400
2020-TWG	Closed	N/O	A	.150	10	160	.400
2020-TXWG	Closed	N/O	A	.150	10	160	.400
3030-12	Open	N/C	B	.140	5	175VDC	.250
3030-12WG	Open	N/C	B	.140	5	175VDC	.250
3030-12XWG	Open	N/C	B	.140	5	175VDC	.250
3030-T	Open	N/C	B	.140	5	175VDC	.250
3030-TWG	Open	N/C	B	.140	5	175VDC	.250
3030-TXWG	Open	N/C	B	.140	5	175VDC	.250
4040-12	Open/Closed	SPDT	C	.140	5	175VDC	.250
4040-12WG	Open/Closed	SPDT	C	.140	5	175VDC	.250
4040-12XWG	Open/Closed	SPDT	C	.140	5	175VDC	.250
4545-12		DPDT	C X 2	.140	5	175VDC	.250
4545-12WG		DPDT	C X 2	.140	5	175VDC	.250

WARRANTY:

Lifetime warranty against workmanship, material and factory defects.

CONTACT YOUR G.R.I. DISTRIBUTOR OR CALL:

GEORGE RISK INDUSTRIES, INC.
G.R.I. PLAZA
KIMBALL, NE 69145



MADE IN U.S.A.

TOLL-FREE 1-800-445-5218
TOLL-FREE 1-800-523-1227
(308) 235-4645

FAX (308) 235-3561

E-MAIL: grisales@megavision.com

WEB SITE: www.grisk.com