

## 150RS Series Recessed 1/2" Short Switch Sets



**150RS-12**



**150RS-T**

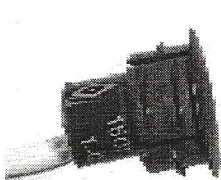
- 12" #22AWG Leads or Screw Terminals
- Designed for Hollow Core Doors and Windows
- Hole size allows for extra wire, etc.
- 1/2"+ Standard Gap
- Installs firmly in wood, vinyl and aluminum

# RECESSED 1/2" SHORT SWITCH SET



## 150RS SERIES

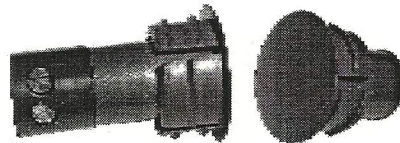
- ◆ 12" #22AWG Leads or Screw Terminals
- ◆ Designed For Hollow Core Doors & Windows
  - ◆ Hole Size Allows For Extra Wire, etc.
  - ◆ 1/2" + Standard Gap
- ◆ Installs Firmly In Wood, Vinyl And Aluminum
- ◆ Recessed Magnetic Contact ◆ Press or Snap Fit
- ◆ Longer Leads, Zip Cord or Jacketed Cable Upon Request
- ◆ Hermetically Sealed ◆ Plated Contacts Resist Sticking or Freezing
- ◆ Built-in E.O.L. Resistors and Diodes Upon Request
  - ◆ Supervisory Loops Upon Request
  - ◆ Switches and Magnets Available Separately
- ◆ Color: White & Brown ◆ Lifetime Warranty



150RS-12



150RS-T



N150RS-12WG

N150RS-T

N150RS-TWG

### PART NUMBERS

Standard Gap 1/2"

Standard Gap 1/2"

Standard Gap 1/2"

Wide Gap 3/4"

Standard Gap 1/2"

Wide Gap 3/4"

### Closed Loop

150RS-12

150RS-T

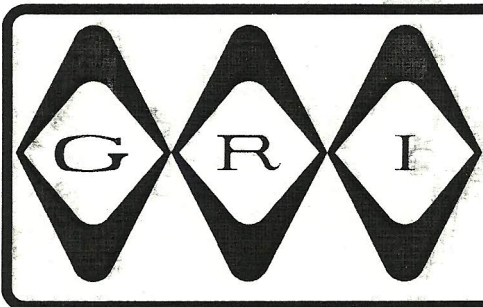
N150RS-12

N150RS-12WG

N150RS-T

N150RS-TWG

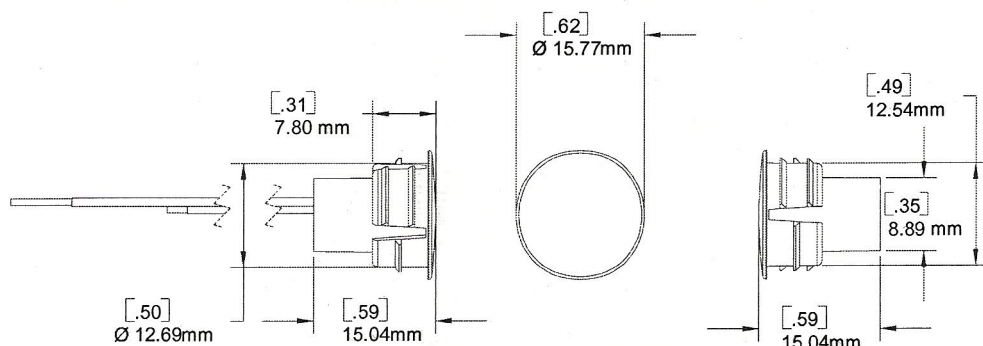




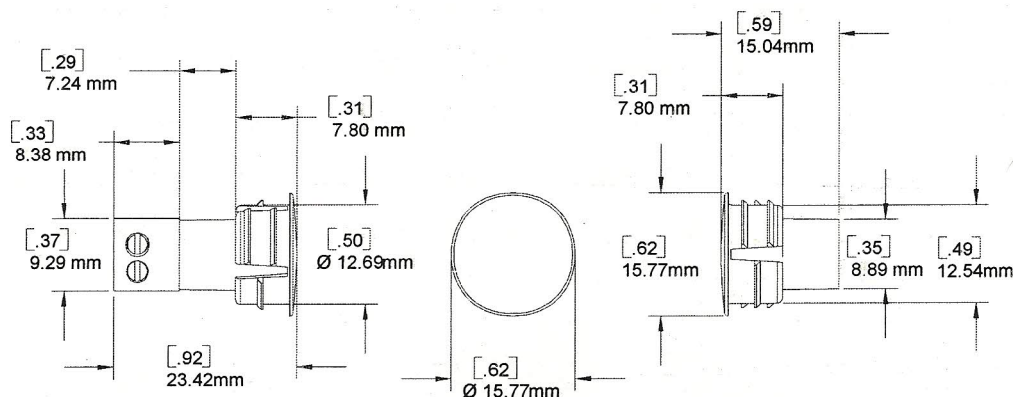
# RECESSED 1/2" SHORT SWITCH SET

Larger than 3/8" but smaller than 3/4", the GRI 150RS Series is a one-half inch diameter, flush mount contact. This 1/2" diameter design allows additional "working room" for extra wire, E.O.L. resistors, etc. Manufactured from a special polyvinyl material, the unique collar design will "press-fit" into hollow core aluminum or vinyl clad windows with a "snap-in" fit. The 150RS can be ordered with 12" leads or screw terminals.

The G.R.I. 150RS is paired with a matching 1/2" magnet case to offer the installer a 1/2" + gap. The 150RS switches can also be paired with any of the wide selection of G.R.I. magnets to help resolve difficult installation applications, including our MF-875. Patent Pending.



150RS-12



150RS-T

## GRI products meet or exceed these minimum general specifications:

PART NUMBER	LOOP TYPE	SWITCH ELECTRICAL CONFIG.	REED FORM	MAXIMUM INITIAL CONTACT RESISTANCE (Ω)	MAXIMUM CONTACT RATING (W)	MAXIMUM SWITCHING VOLTAGE (VDC)	MAXIMUM SWITCHING CURRENT (A)
150RS-12	CLOSED	N/O	A	.150	10	200	.500
150RS-T	CLOSED	N/O	A	.150	10	200	.500
N150RS-12	CLOSED	N/O	A	.150	10	200	.500
N150RS-12WG	CLOSED	N/O	A	.150	10	200	.500
N150RS-T	CLOSED	N/O	A	.150	10	200	.500
N150RS-TWG	CLOSED	N/O	A	.150	10	200	.500

### WARRANTY:

Lifetime warranty against workmanship, material and factory defects

## Contact your GRI Distributor or call:

GEORGE RISK INDUSTRIES, INC.  
G.R.I. PLAZA  
KIMBALL, NE 69145



MADE IN U.S.A.

TOLL-FREE 1-800-445-5218  
TOLL-FREE 1-800-523-1227  
(308) 235-4645 • FAX (308) 235-3561  
E-MAIL: [grisales@megavision.com](mailto:grisales@megavision.com)  
WEB SITE: [www.grisk.com](http://www.grisk.com)