

120T/4473 Series 3/4" Switch 3/8" Magnet Recessed Switch Sets



120T-12

UL and ULC approved



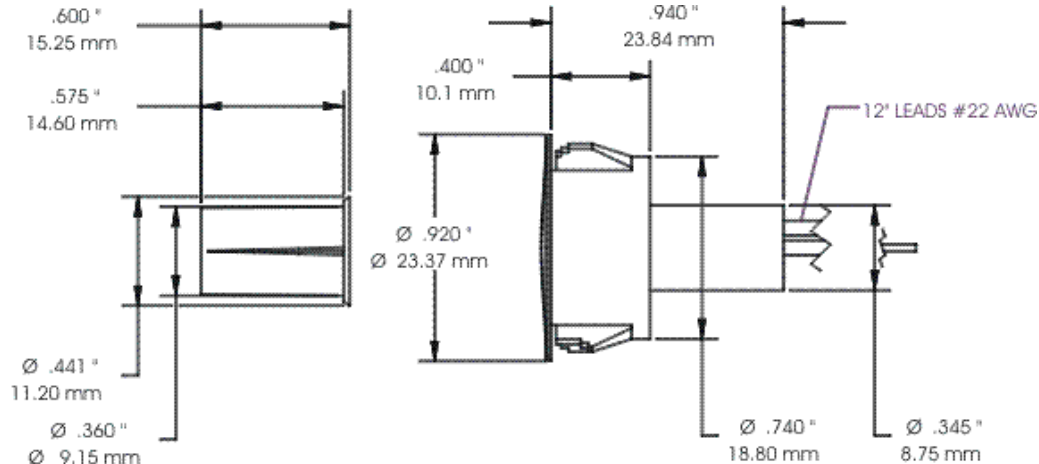
4473

- Lifetime Warranty
- Available in closed loop, open loop and SPDT
- Wire leads or terminal blocks
- 12" leads
- Available with new rare earth Magnets
- Longer Leads, Zip Cords, or Jacketed Cable on Request
- Built-in Resistors and Diodes Available on Request
- Switches or Magnets are Available Separately
- Supervisory Loops Available

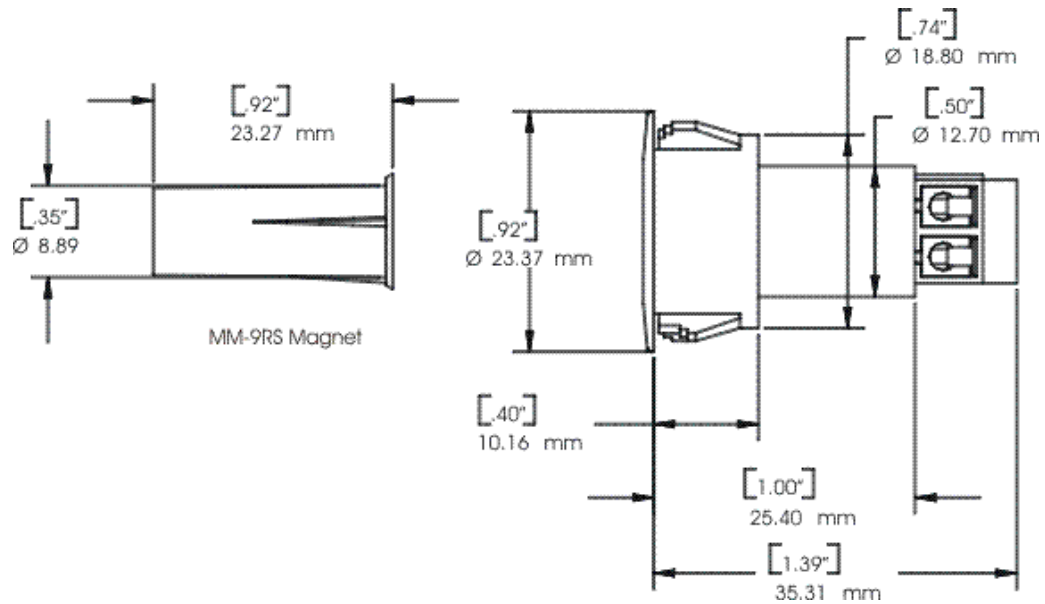
The 120T/4473 requires that a 3/4" hole be drilled for the switch and 3/8" hole for the magnet. The 3/4" switch mounting is desirable since the extra wire and connections can be more easily inserted into the larger hole for concealment. Also, should the need arise for testing or replacement, it would be easy to pull the switch, extend the extra wire and access the original connections.

Installation is further enhanced by using a smaller 3/8" diameter magnet to avoid the need to center a larger hole in a 1" to 1 1/2" thick door or window. This will allow you to offset the magnet should it be required.

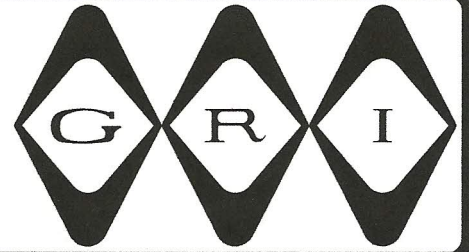
The 120T/4473 switch set was developed for and should only be used in openings with wooden or aluminum frames.



120T-12



RECESSED 3/4" SWITCH SET

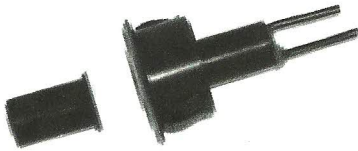


120T-12/4473 SERIES

3/4" Switch, 3/8" Magnet For Wooden or Aluminum Door & Windows



- ◆ Recessed Magnetic Contact
 - ◆ Press To Fit
 - ◆ Also Available in Stubby Version
 - ◆ 12" #22AWG Leads or Screw Terminals
- ◆ Longer Leads, Zip Cord or Jacketed Cable Upon Request
 - ◆ Hermetically Sealed
 - ◆ Plated Contacts Resist Sticking or Freezing
- ◆ Built-in E.O.L. Resistors and Diodes Upon Request
 - ◆ Supervisory Loops Upon Request
- ◆ Switches and Magnets Available Separately
 - ◆ Colors: White, Brown, Gray, Black
 - ◆ Lifetime Warranty



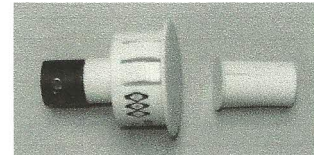
MM-9RS 120T-12



MM-9RS 4473



120RST-12



4473RS

PART NUMBERS

	Closed Loop	Open Loop	SPDT
Standard Gap 1/2" +	120T-12 120RST-12 4473 4473RS	130T-12	140T-12
Wide Gap 3/4" +	120T-12WG	130T-12WG	140T-12WG
Extra Wide Gap 1 1/2" +	120T-12XWG	130T-12XWG	140T-12XWG

GEORGERISK INDUSTRIES, INC.
G.R.I. PLAZA
KIMBALL, NE 69145



MADE IN U.S.A.

TOLL-FREE 1-800-445-5218
TOLL-FREE 1-800-523-1227
(308) 235-4645
FAX (308) 235-3561

E-MAIL: grisales@megavision.com
WEB SITE: www.grisk.com



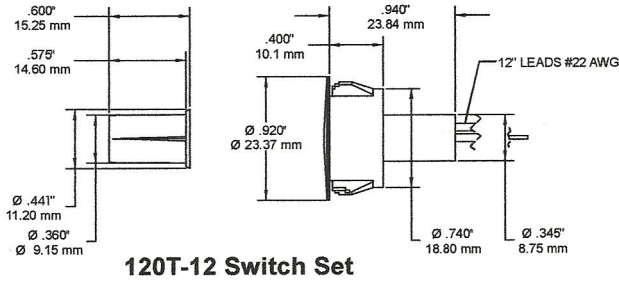
RECESSED 3/4" SWITCH SET

INSTALLATION INSTRUCTIONS:

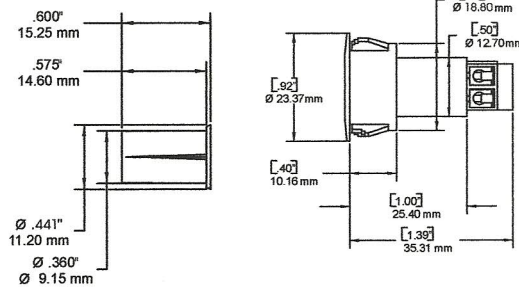
The 120T-12/4473 requires that a 3/4" hole be drilled for the switch and a 3/8" hole for the magnet. The 3/4" switch mounting is desirable since the extra wire and connections can be more easily inserted into the larger hole for concealment. Also, should the need arise for testing or replacement, it would be easy to pull the switch, extend the extra wire and access the original connections.

Installation is further enhanced by using a smaller 3/8" diameter magnet to avoid the need to center a larger hole in a 1" to 1 1/2" thick door or window. This will allow you to offset the magnet should it be required.

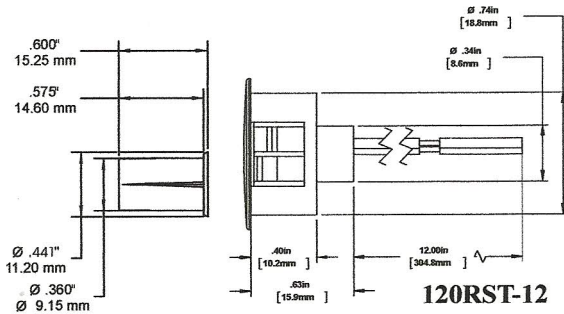
The 120T-12/4473 switch set was developed for and should only be used in openings with wooden or aluminum frames.



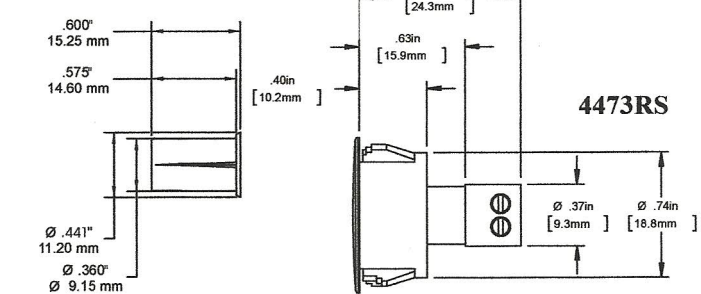
120T-12 Switch Set



4473 Switch Set



120RST-12



4473RS

GRI products meet or exceed these minimum general specifications:

PART NUMBER	LOOP TYPE	SWITCH ELECTRICAL CONFIG.	REED FORM	MAXIMUM INITIAL CONTACT RESISTANCE (Ω)	MAXIMUM CONTACT RATING (W)	MAXIMUM SWITCHING VOLTAGE (VDC)	MAXIMUM SWITCHING CURRENT (A)
120T-12	Closed	N/O	A	.150	10	200	.500
120RST-12	Closed	N/O	A	.150	10	200	.500
120T-12WG	Closed	N/O	A	.150	10	200	.400
120T-12XWG	Closed	N/O	A	.150	10	160	.400
4473	Closed	N/O	A	.150	10	200	.500
4473RS	Closed	N/O	A	.150	10	200	.500
130T-12	Open	N/C	B	.140	5	175VDC	.250
130T-12WG	Open	N/C	B	.140	5	175VDC	.250
130T-12XWG	Open	N/C	B	.140	5	175VDC	.250
140T-12	Open/Closed	SPDT	C	.140	5	175VDC	.250
140T-12WG	Open/Closed	SPDT	C	.140	5	175VDC	.250
140T-12XWG	Open/Closed	SPDT	C	.140	5	175VDC	.250

WARRANTY: Lifetime warranty against workmanship, material and factory defects

Contact your GRI Distributor or call:

GEORGE RISK INDUSTRIES, INC.
G.R.I. PLAZA
KIMBALL, NE 69145



MADE IN U.S.A.

TOLL-FREE 1-800-445-5218 • 1-800-523-1227

(308) 235-4645

FAX (308) 235-3561

E-MAIL: grisales@megavision.com

WEB SITE: www.grisk.com