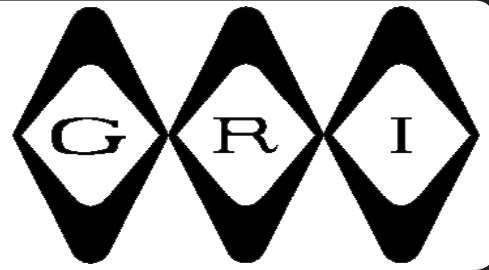


INDUSTRIAL OVERHEAD DOOR SWITCH SET

Now With Universal Fit Mounting Holes



200/250 SERIES



- ◆ Extruded Aluminum Floor or Wall Mount Switch
- ◆ Universal Fit Mounting Holes on 200-36 Series
- ◆ Screw Mount ◆ #22AWG In 36" Stainless Steel Armored Cable
- ◆ Longer Leads Upon Request ◆ Hermetically Sealed
 - ◆ Plated Contacts Resist Sticking or Freezing
- ◆ Magnet, Bracket and Mounting Hardware Included
 - ◆ Built-in E.O.L. Resistors Upon Request
 - ◆ Supervisory Loops Available Upon Request
- ◆ Switches and Magnets Available Separately ◆ Lifetime Warranty



200-36



250-36

PART NUMBERS:

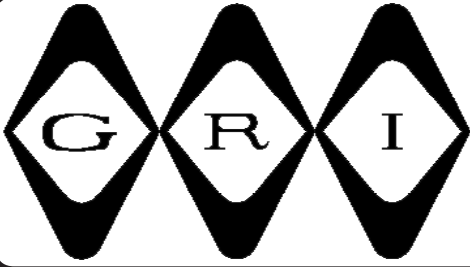
	Gap	Closed Loop	Open Loop	SPDT	DPDT
Floor Mount	2 1/2"	200-36	210-36	220-36	230-36
	3"	200-36HD			
Wall Mount	2 1/2"	250-36	260-36	270-36	280-36
	3"	250-36HD			

GEORGE RISK INDUSTRIES, INC.
G.R.I. PLAZA
KIMBALL, NE 69145



MADE IN U.S.A.

TOLL-FREE 1-800-445-5218
TOLL-FREE 1-800-523-1227
(308) 235-4645
FAX (308) 235-3561
E-MAIL: sales@grisk.com
WEB SITE: www.grisk.com

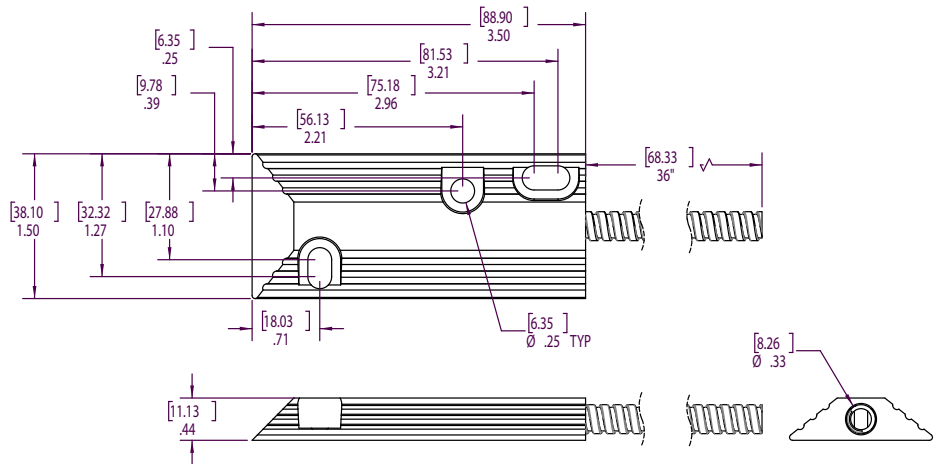


INDUSTRIAL OVERHEAD DOOR SWITCH SET

Now With Universal Fit Mounting Holes

INSTALLATION APPLICATIONS:

The G.R.I. 200 series is referenced and produced as an industrial grade floor mount switch. Primarily used for the protection of overhead doors where the operation of heavy motorized traffic would make it impossible to use any type of a plastic encapsulated switch. The new 200-36 Series case allows replacement of a new contact switch without redrilling. The 200 housing is extruded from a 6063 T5 aluminum material and tested to withstand a crushing force of 20,000 pounds or 10 tons without harming or causing failure of the delicate reed switch. All mounting hardware is provided as well as a mounting bracket for the actuating magnet. A 1/4" masonry bit is required for anchor installation.



200-36

GRI products meet or exceed these minimum general specifications:

PART NUMBER	LOOP TYPE	ELECTRICAL CONFIG.	REED FORM	MAXIMUM INITIAL CONTACT RESISTANCE (Ω)	MAXIMUM CONTACT RATING (W)	MAXIMUM SWITCHING VOLTAGE (VDC)	MAXIMUM SWITCHING CURRENT (A)
200-36	Closed	N/O	A	.150	10	200	.500
200-36HD	Closed	N/O	A	.150	10	200	.500
250-36	Closed	N/O	A	.150	10	200	.500
250-36HD	Closed	N/O	A	.150	10	200	.500
210-36	Open	N/C	B	.140	5	175VDC	.250
260-36	Open	N/C	B	.140	5	175VDC	.250
220-36	Open/Closed	SPDT	C	.140	5	175VDC	.250
270-36	Open/Closed	SPDT	C	.140	5	175VDC	.250
230-36		DPDT	CX2	.140	5	175VDC	.250
280-36		DPDT	CX2	.140	5	175VDC	.250

WARRANTY:

Lifetime warranty against workmanship, material and factory defects.

CONTACT YOUR G.R.I. DISTRIBUTOR OR CALL:

GEORGE RISK INDUSTRIES, INC.
G.R.I. PLAZA
KIMBALL, NE 69145



MADE IN U.S.A.

TOLL-FREE 1-800-445-5218
TOLL-FREE 1-800-523-1227
(308) 235-4645
FAX (308) 235-3561
E-MAIL: sales@grisk.com
WEB SITE: www.grisk.com