

Super Switch (Takeover Module)

INSTALL INSTRUCTIONS

The 2GIG-TAKE-345 Super Switch is 2GIG's wireless takeover module. This unit was designed to convert 8 hardwired zones into eight wireless zones, make installation simple, and work with existing 12-volt control panels. The module is to be mounted next to the existing Control Panel where the hardwired zones are connected. All of the zones on the Super Switch act as supervised wireless zones.

IMPORTANT: If the control panel has been removed then a 12-volt power supply with battery backup is required (not supplied).

Box Contents

- Takeover Module
- Mounting Plate
- 2 Phillips head screws
- 2 Plastic drywall anchors



PROGRAMMING

The following steps are guidelines for programming (learning) the Super Switch into the 2GIG Control Panel. Scroll between options using the ← and → arrows. Move to the previous or next prompt by pressing the ↑ and ↓ arrows.

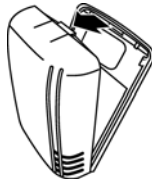
- 1 Select RF sensor #(01 to 48). Assign the Takeover Module to a new zone. (Terminals 1-8)
- 2 Select RF sensor type.
 - (01) Exit/Entry
 - (02) Exit/Entry
 - (03) Perimeter
 - (04) Interior Follower
- 3 Select RF equipment type.
- 4 Select RF sensor equipment code. Enter 0873 for the 2GIG-TAKE-345 module.
- 5 Enter RF sensor serial number (7 digits).

Manual Entry: Type in the last 7-digit serial number that ends in "1" (XXX-XXXX1) that is found on the back of the Super Switch (this is the serial number for Zone 1).

For each additional zone, add a digit to the end of the serial number. For example, Zone (terminal) 2 will be (XXX-XXX2)

Auto Entry: With the panel in Learn-in mode (press **Shift** then **Learn**) trip the zone that you want to learn in. The correct TX ID should appear. Accept the correct TX ID by pressing **ok**.

Remember to press the ↓ arrow to continue through the system configuration prompts.
- 6 Select RF sensor equipment age.
 - (0) new (product is new)
- 7 Select RF sensor loop number (1).
 - (1) 1
- 8 Select RF sensor 1 dialer delay.
 - (0) disabled
 - (1) enabled
- 9 Construct RF sensor descriptor. Press **Insert** then press any number between 002 and 255 to add a word. For example, if you wanted to name this Takeover Module as "Wireless Sensor Tool," press **Insert** then press **252** for **WIRELESS**. Press **Insert** then press **191** for **SENSOR**. Press **Insert** then press **233** for **TOOL**.
- 10 Select RF sensor reports (0 to 1).
 - (0) disabled (sensor does NOT report to the central station)
 - (1) enabled (sensor reports to the central station)
- 11 Select RF sensor supervised (0 to 1).
 - (0) disabled (sensor does NOT report loss of supervision or low battery)
 - (1) enabled (sensor reports loss of supervision or low battery)
- 12 Select RF sensor chime (0 to 13).
 - (0) disabled (panel will not chime when sensor is activated)
 - (1-13) enabled (selects a voice and/or chime to sound when sensor is activated)
- 13 To program another sensor, click **next**.
- 14 To exit programming, click **skip** then **end** and **exit**. Upon exit, the panel takes a few seconds to reset.



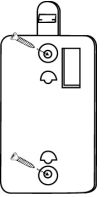
FOR UL/ETL Listed Installations use the following equipment:

Altronix (TM) power supply/charger model #AL100UL with an Altronix (TM) plug-in transformer, model #TP1620 and a Power Sonic Model PS-1212 12 Volt 1.4 Amp Hour rechargeable sealed lead acid battery or equivalent. See "Using the Altronix Power Supply" on page 3.

SUPERSWITCH

Monitoring the Battery

The Super Switch will operate on the connected battery if there is an AC failure, unless the battery is not capable of supplying enough power. The Super Switch monitors the battery to ensure it is operational. When the Super Switch detects a battery voltage below normal level for a period of time, the Super Switch reports a low battery for each zone (if programmed in step 11 under Programming).



Testing the Battery Voltage

If you get a "Low Battery" Indicator, do the following:

- 1 Test the battery's voltage with a volt reader to ensure that 12 volts are passing through the switch.
- 2 If the battery is fine, remove power from the Super Switch (disconnect battery and AUX power terminal 2).
- 3 Rewire the Super Switch by connecting the battery first.
- 4 After the Super Switch is powered by the battery, connect AUX power to terminal 2 on the Super Switch.
- 5 Remove power from the Control Panel and then power up the Control Panel. If everything is connected correctly, the "Low Battery" indicator should disappear.

IMPORTANT: If there is no existing system, then use your own power supply and group all of the ground wires together and connect them to the ground port on the Super Switch.

INSTALLING AND MOUNTING

- Screw the mounting bracket to a wall and attach the Super Switch. To release the bracket, pull up on the tab and slide the bracket down. Mount the bracket with 2 screws. *Mount the Super Switch in RF range of the Control Panel.*

To Wire Super Switch with an Existing Power Source

**See Figure 1 on next page*

- 1 Remove AC power from existing wired panel.
 - 2 Remove leads from battery on existing wired panel.
 - 3 With power removed, wire the zones to the Super Switch. Terminals 3-10 are marked as Zones 1-8 on the Super Switch and are where the zones are connected. For example, to wire zone 1 on the Super Switch take the positive or HI side of the zone off the existing panel and place it in terminal 3/Zone 1 on the Super Switch. Leave the negative side or the LO (GND) side of the zone wired to the existing Control Panel.
 - 4 Repeat this procedure for all zones to be connected to the Super Switch.
- TIP:** An option is to remove all LO wires from existing panel, group them together, and connect them to the ground port.

WARNING: THIS IS NOT FOR USE IN A UL/ETL LISTED INSTALLATION.

To Wire Super Switch without an Existing Power Source

See "Using Existing System Wiring" on page 3.

**See Figure 2 on next page*

IMPORTANT: Before connecting power to the Super Switch, wire the zones to the Super Switch. Terminals 3-10 are marked as Zones 1-8 on the Super Switch. For example, to wire zone 1 on the Super Switch take the positive or HI side of the zone place it in terminal 3/Zone 1 on the Super Switch.

- 1 Repeat above for all zones to be connected to the Super Switch.
- 2 Group all LO/(GND) wires together and connect them to terminal 1/G (GND Port) of the Super Switch.

WARNING: DO NOT PLUG THE POWER SUPPLY/CHARGER PLUG-IN TRANSFORMER INTO AN OUTLET CONTROLLED BY A SWITCH.

Powering the Super Switch and Other Devices

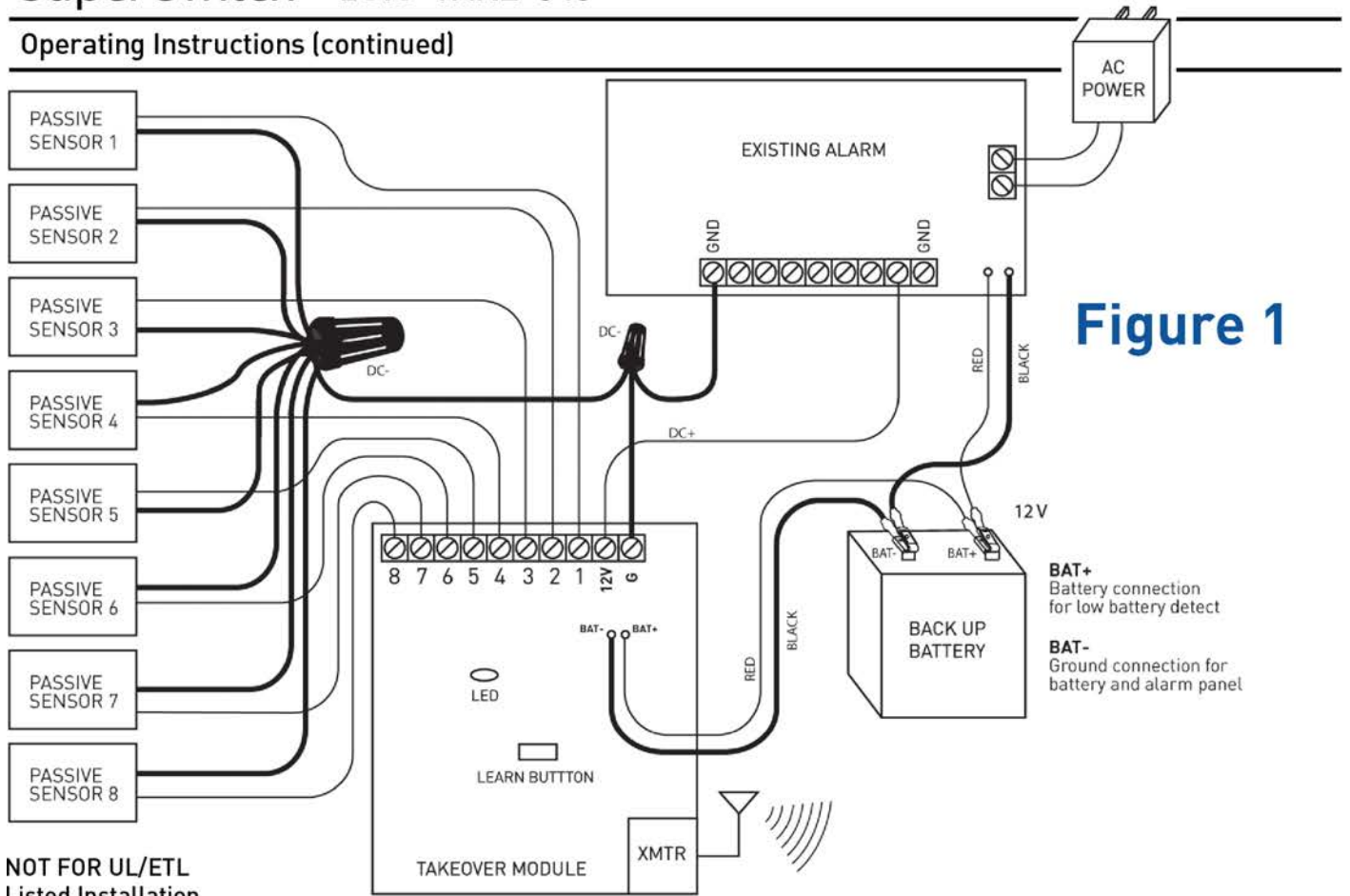
- 1 The Super Switch has two wires attached RED (+) and BLACK (-). Connect the Red wire to the red terminal and the black wire to the black terminal on the existing Control Panel's battery.
- 2 Connect the wires from the existing Control Panel for the battery into the spades lugs on top of the wires from the Super Switch that is now connected to the battery.
- 3 **IF USING AN EXISTING POWER SOURCE:** Wire the existing panels AUX power out to terminal 2/12V port on the Super Switch. If you are using the Super Switch with PIRs, Glass Break Detectors, or other devices that need power, then they must receive power from the AUX power on the existing Control Panel. Reconnect AC power to existing panel.

NOTE: Remove all other devices wired to AUX power on the existing Control Panel (such as keypads or any other unused devices requiring power).

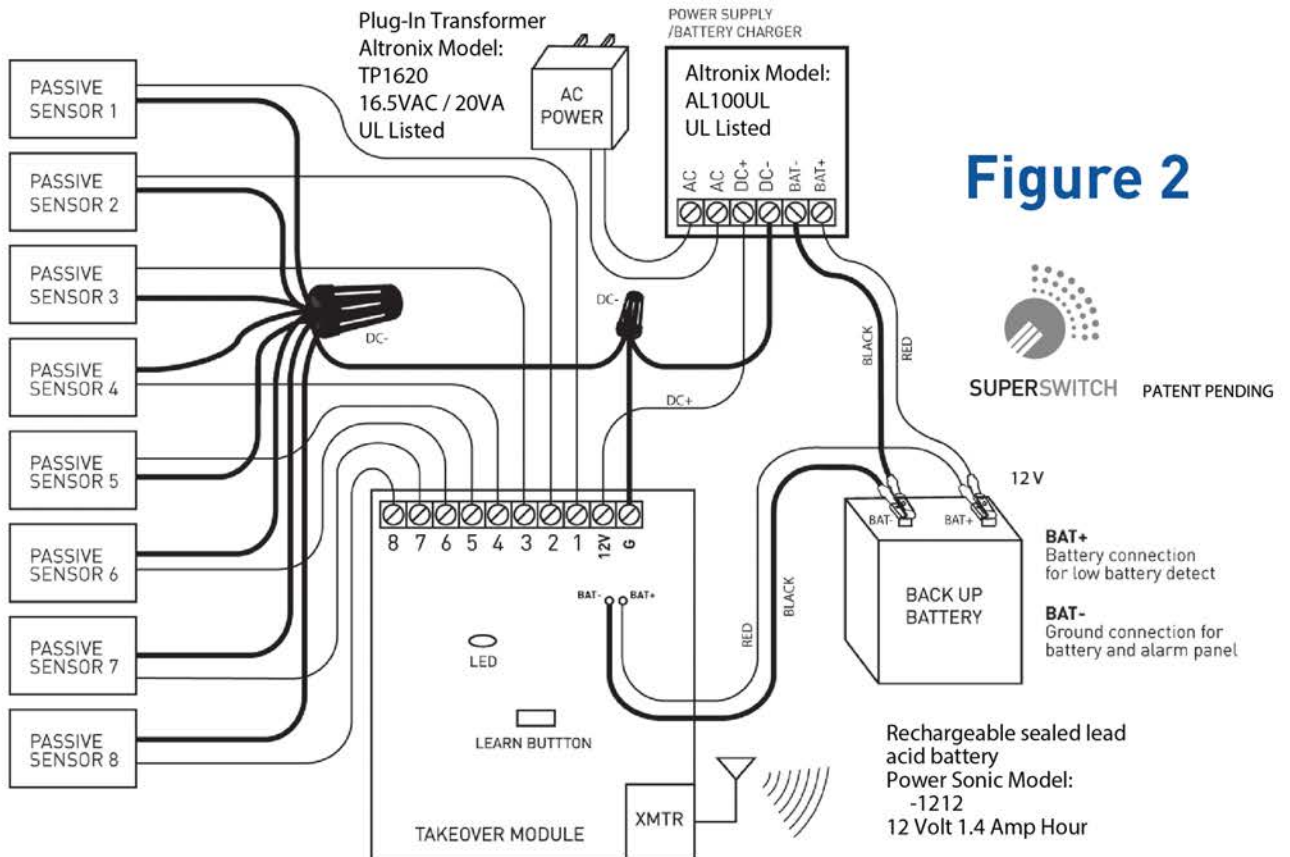
WARNING: THIS IS NOT FOR USE IN A UL/ETL LISTED INSTALLATION.

Super Switch 2GIG-TAKE-345

Operating Instructions (continued)

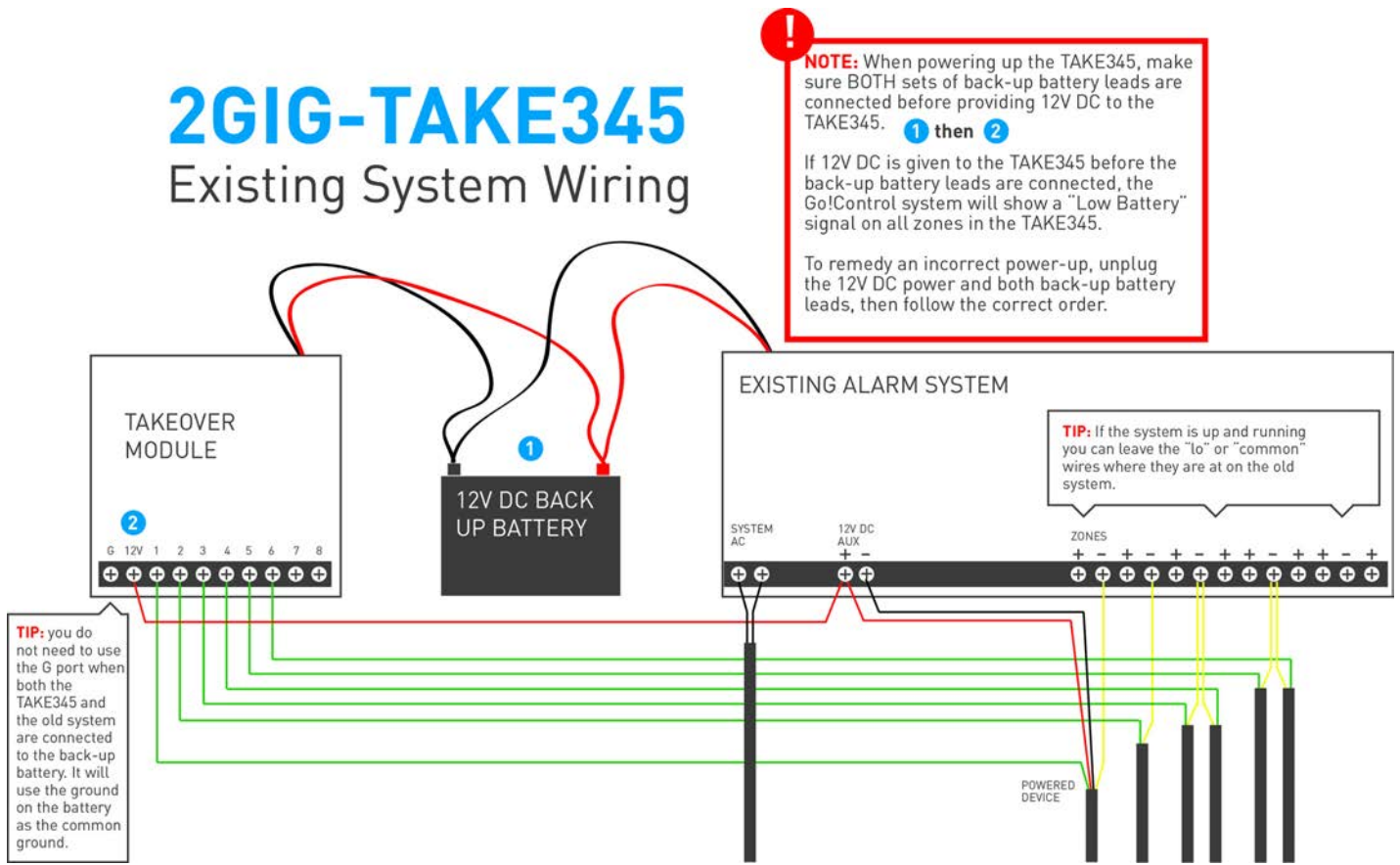


NOT FOR UL/ETL Listed Installation



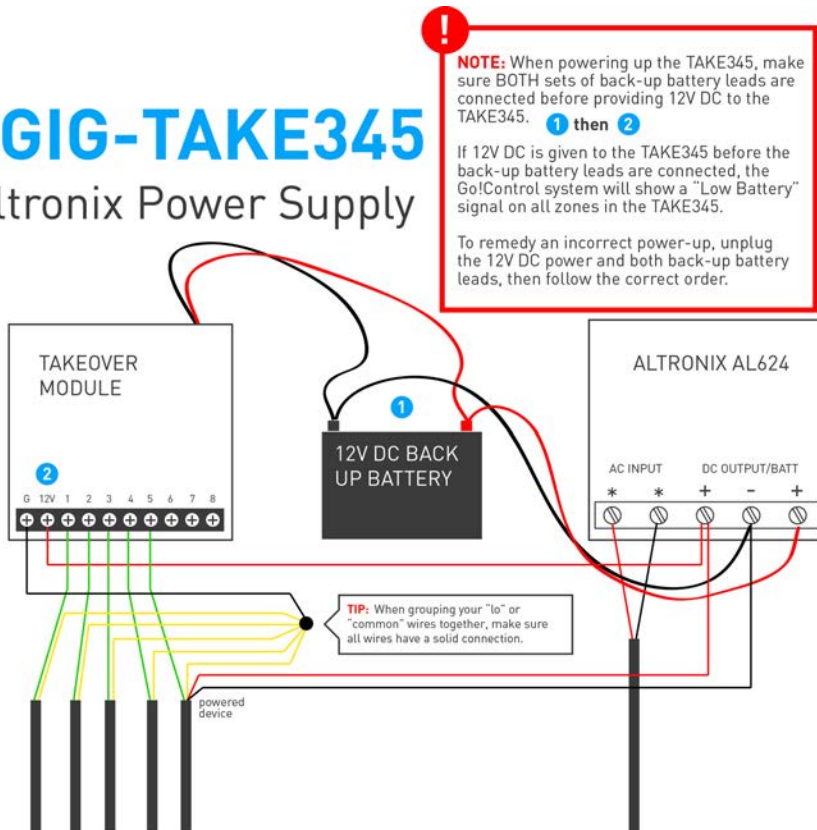
2GIG-TAKE345

Existing System Wiring



2GIG-TAKE345

Altronix Power Supply



Important to Remember

- 1 All of the zones on the Super Switch are “normally closed” zones.
- 2 The maximum loop resistance cannot exceed 3K ohms (If the loop resistance exceeds 3K ohms and the existing panel used end of line resistance, then the end of line resistor may be removed).
- 3 Different control panels have different terminals for each zone and aux power. Please refer to the wiring diagrams that came with the existing panels. For example, the HI side of Zone 1—Zone 8 on a “Vista” panel is typically terminals 8,11,12,14,15,17,18, and 20. AUX positive is typically terminal 5 on a “Vista” panel.

WARNING: The Super Switch CANNOT be used to monitor any type of fire or CO Detection Zones.

Specifications

Wireless Signal Range	350 ft, open air, with 2GIG Wireless Control Panel
Code Outputs	For each of 8 serialized zones: Fault; Restore; Tamper; Low Battery
Transmitter Frequency	345.000 MHz (crystal controlled)
Transmitter Frequency Tolerance	±15kHz
Transmitter Bandwidth	24kHz
Modulation Type	Amplitude Shift Keying-On/Off Keying (ASK-OOK)
Unique ID Codes	Over one million different code combinations
Supervisory Interval	70 minutes
Peak Field Strength	Typical 50,000 uV/m at 3m
Sensor Dimensions (LxWxH)	3.54 x 2.56 x 1.13 in. (9.0 x 6.5 x 2.9 cm)
Weight (including bracket)	2.85 oz. (80.8 g)
Housing Material	ABS plastic
Color	White
Operating Temperature Limits	32° to 120° F (0° to 49° C)
Relative Humidity	5-95% Non-Condensing
Operating Voltage	9-16 volts DC, 50mA
Included Accessories	Mounting plate, 2 Phillip's head screws, 2 plastic drywall anchors

Regulatory Compliance

This device complies with Part 15 of the FCC's Rules. Operation is subject to the following two conditions:

1. This device may not cause harmful interference, and
2. This device must accept any interference received, including interference that may cause undesired operation.

This equipment has been tested and found to comply with the limits for a Class B digital device, pursuant to Part 15 of the FCC Rules. These limits are designed to provide reasonable protection against harmful interference in a residential installation.

This equipment generates, uses and can radiate radio frequency energy and, if not installed and used in accordance with the instructions, may cause harmful interference to radio communications. However, there is no guarantee that interference will not occur in a particular installation. If this equipment does cause harmful interference to radio or television reception, which can be determined by turning the equipment off and on, the user is encouraged to try to correct the interference by one or more of the following measures:

- Reorient or relocate the receiving antenna.
- Increase the separation between the equipment and receiver.
- Connect the equipment into an outlet on a circuit different from that to which the receiver is connected.
- Consult the dealer or an experienced radio/TV technician for help.

This product complies with FCC radiation exposure limits for an uncontrolled environment. Avoid operating this product at a distance less than 20 cm from user.

Caution: Any changed or modifications not expressly approved by the party responsible for compliance could void the user's authority to operate this equipment.

Limited Warranty

This 2GIG Technologies product is warranted against defects in material and workmanship for 2 years. This warranty extends only to wholesale customers who buy direct from 2GIG Technologies or through 2GIG Technologies' normal distribution channels. 2GIG Technologies does not warrant this product to consumers. Consumers should inquire from their selling dealer as to the nature of the dealer's warranty, if any.

There are no obligations or liabilities on the part of 2GIG Technologies for consequential damages arising out of or in connection with use or performance of this product or other indirect damages with respect to loss of property, revenue, or profit, or cost of removal, installation, or reinstallation. All implied warranties for functionality, are valid only until the warranty expires. This 2GIG Technologies Warranty is in lieu of all other warranties expressed or implied.

For technical support in the USA and Canada:

855-2GIG-TECH (855-244-4832)

Email: techsupport@2gig.com

Internet: dealer.2gig.com

Visit web site for technical support hours of operation

For technical support outside of the USA and Canada:

Contact your regional distributor

Visit dealer.2gig.com for a list of distributors in your region

PN: 77-000009-001

