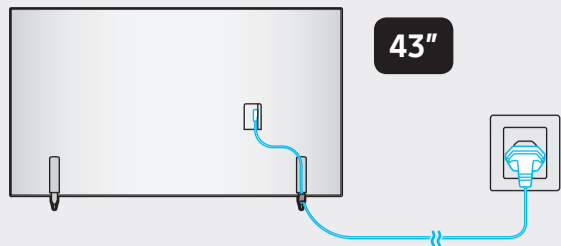
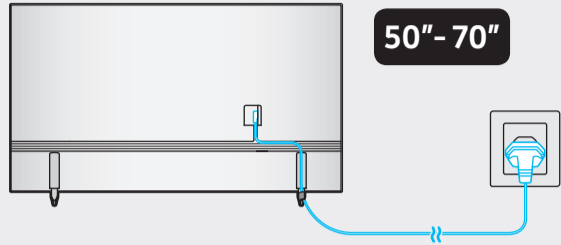
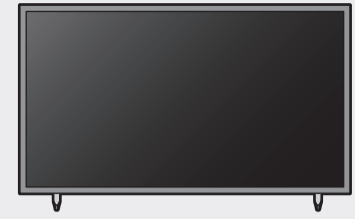
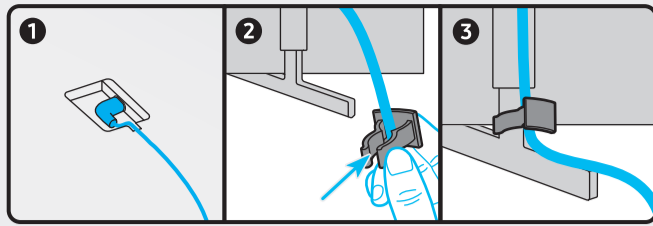


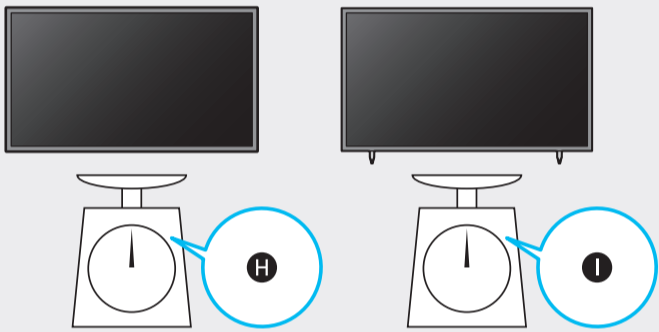
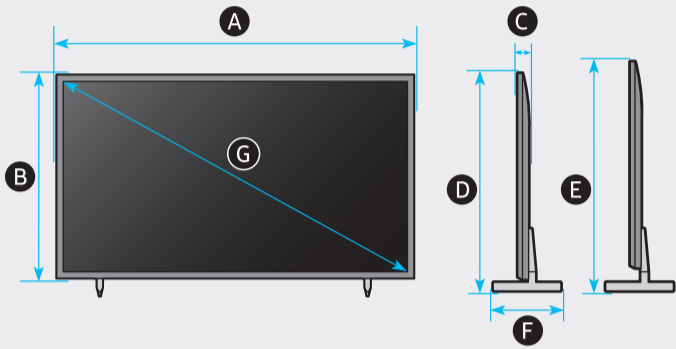
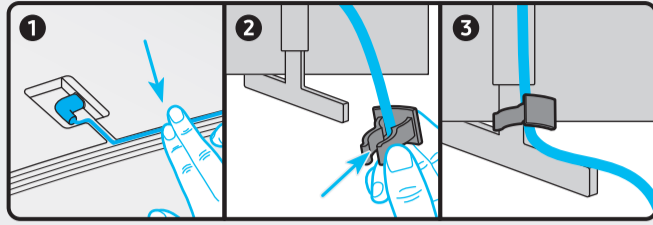
4



43"

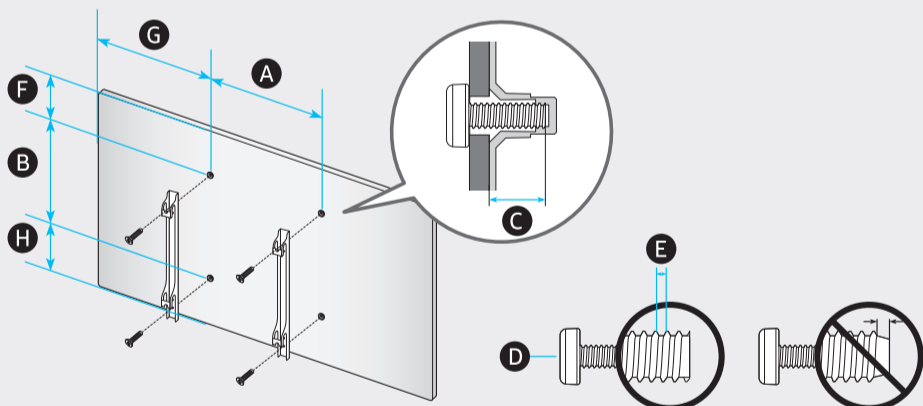


50"-70"



	A	B	C	D	E	F	G	H	I
UN43AU8***	38.0 inches (965.5 mm)	22.0 inches (559.8 mm)	1.0 inches (25.7 mm)	23.6 inches (600.1 mm)	24.6 inches (625.1 mm)	7.7 inches (195.1 mm)	42.5 inches	18.5 lbs (8.4 kg)	19.6 lbs (8.9 kg)
UN50AU8***	44.0 inches (1118.3 mm)	25.4 inches (644.5 mm)	1.0 inches (25.7 mm)	27.0 inches (684.6 mm)	28.0 inches (709.6 mm)	8.9 inches (226.6 mm)	49.5 inches	25.4 lbs (11.5 kg)	26.9 lbs (12.2 kg)
UN55AU8***	48.5 inches (1232.1 mm)	27.9 inches (708.8 mm)	1.0 inches (25.7 mm)	29.5 inches (748.8 mm)	30.5 inches (773.8 mm)	8.9 inches (226.6 mm)	54.6 inches	34.2 lbs (15.5 kg)	35.7 lbs (16.2 kg)
UN60AU8***	53.3 inches (1353.0 mm)	30.6 inches (776.8 mm)	1.0 inches (25.7 mm)	32.3 inches (819.3 mm)	33.6 inches (844.3 mm)	11.1 inches (281.8 mm)	60.1 inches	41.0 lbs (18.6 kg)	43.0 lbs (19.5 kg)
UN65AU8***	57.1 inches (1450.9 mm)	32.7 inches (831.8 mm)	1.0 inches (25.7 mm)	34.4 inches (874.3 mm)	35.4 inches (899.3 mm)	11.1 inches (281.8 mm)	64.5 inches	46.1 lbs (20.9 kg)	48.1 lbs (21.8 kg)
UN70AU8***	62.0 inches (1575.9 mm)	34.6 inches (877.7 mm)	1.0 inches (26.6 mm)	36.2 inches (920.8 mm)	37.2 inches (945.8 mm)	13.1 inches (332.2 mm)	69.5 inches	60.4 lbs (27.4 kg)	63.1 lbs (28.6 kg)

\*: 0-9, A-Z

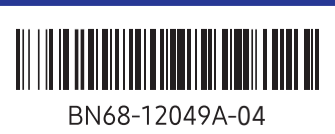


	VESA A x B (mm)	C (mm)	D x 4	E (mm)	F (inches)	G (inches)	H (inches)
UN43AU8***	200 x 200	11-13	M8	1.25	7.4	15.0	6.6
UN50AU8***					8.1	18.0	9.3
UN55AU8***					9.3	20.2	10.6
UN60AU8***	400 x 300	11-13	M8	1.25	8.2	18.7	10.5
UN65AU8***					10.3	20.6	10.5
UN70AU8***					8.5	8.5	14.1

\*: 0-9, A-Z

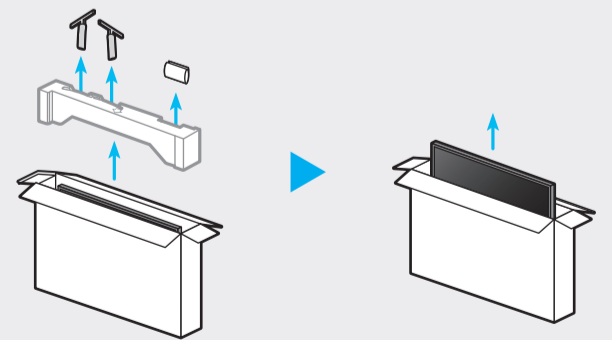
SAMSUNG

# QUICK SETUP GUIDE

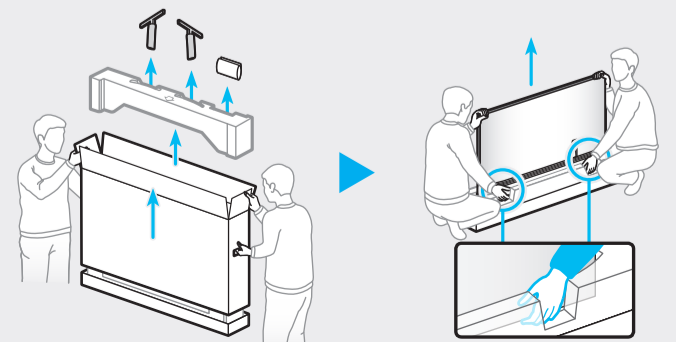


◀ Scan this QR code with your smart phone to see helpful videos.

43"  
-  
50"

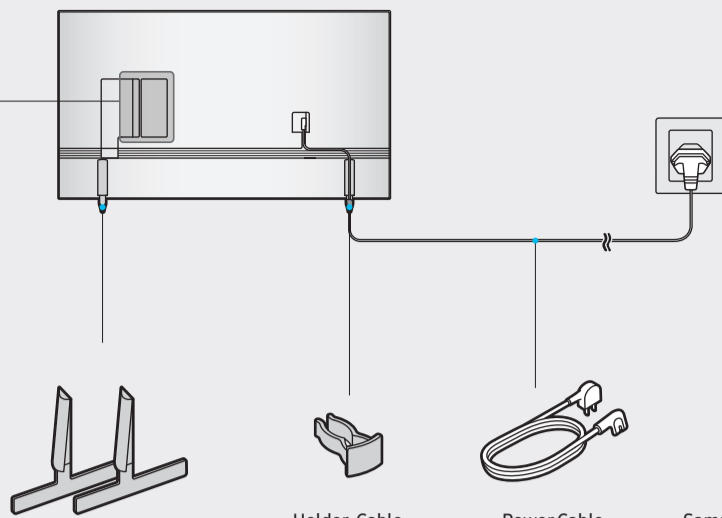


55"  
-  
70"





		USB
		OPTICAL
		HDMI (eARC)
		HDMI
		LAN
		ANT



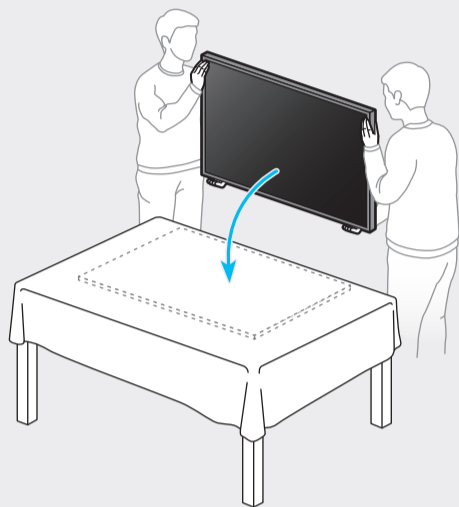
Holder-Cable

Power Cable

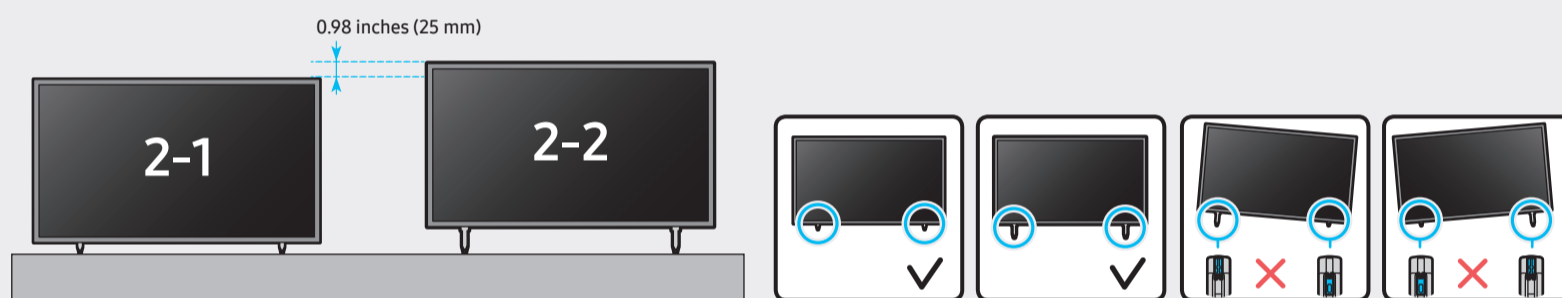
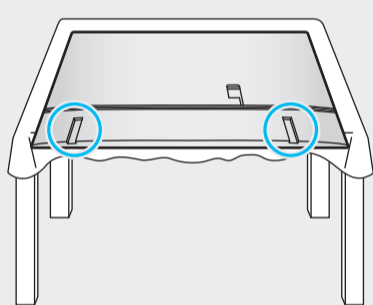
Samsung Smart Remote / Batteries (AAA x 2)

User Manual / Regulatory Guide

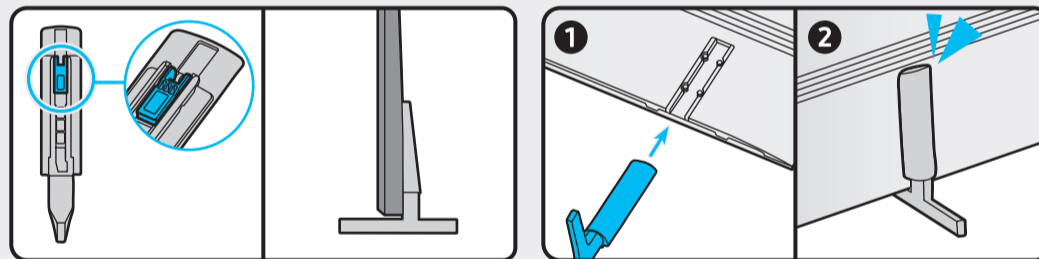
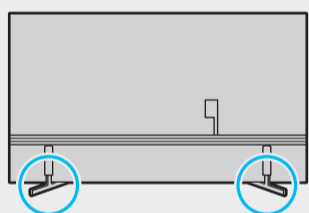
# 1



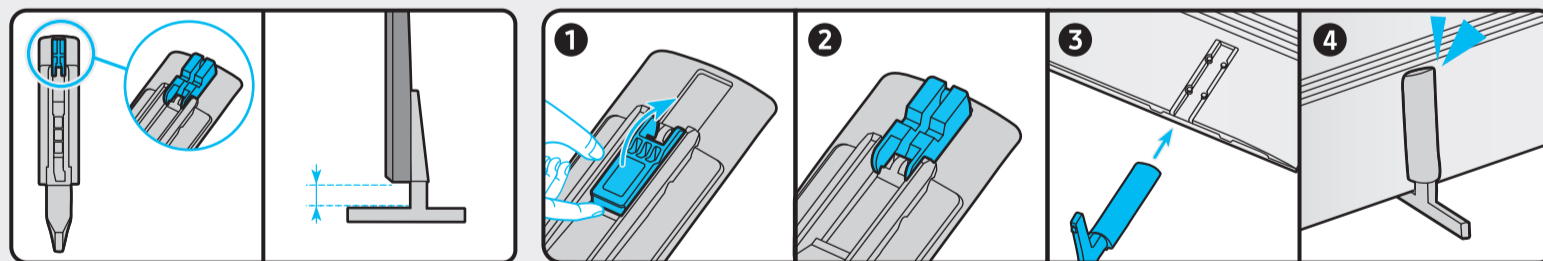
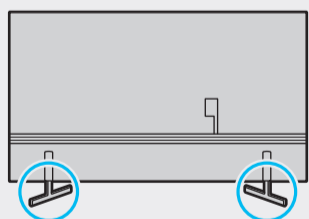
# 2



## 2-1



## 2-2



# 3

