

Net2 hands-free keycard

System specifications

Hands free read range

P38	850 mm
P50	1.1 m
P75	2 m
P200	2.5 m
Long range reader	5 m
Press button - All readers	50 m
Battery type	1 x CR2430
Battery life	Typically 12 months

Hardware features

Material	Plastic
----------	---------

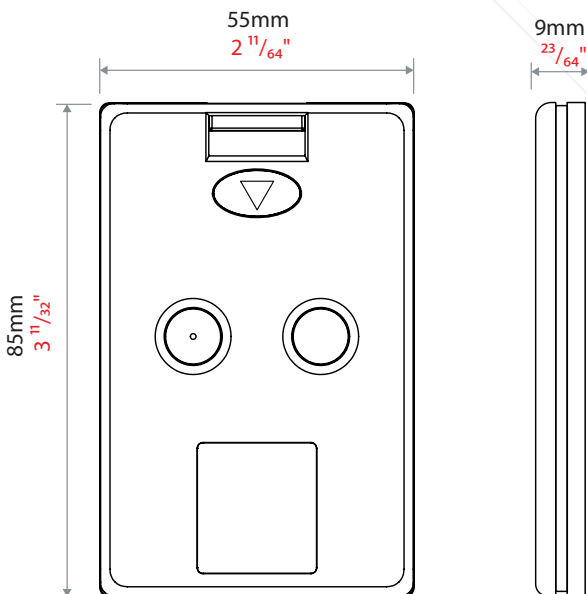
Electrical

Frequency	125kHz
Wireless frequency	2.4GHz

Environment

Operating Temperature	0°C - +55°C
Moisture resistance	No

Dimensions



Hands-free access control means the token that identifies a user is read from within a pocket or handbag. This is useful for gates and barriers, loading doors and where disabled or elderly people require access. The hands-free keyfobs, in conjunction with hands-free interface, achieve this using the unique wireless technology.

Tokens work in active and passive modes. They give a range of between 0.85m and 2.5m on any reader equipped with a hands-free interface. They work in passive mode with all other Paxton proximity readers. Enrolled onto the Net2 system using the standard desktop reader.

Sales Codes

Net2 handsfree Keycard	690-333-US
------------------------	------------