

# Net2 I/O board

## System specifications

Inputs	4
Relay outputs	4

## Electrical

Operating Voltage	10V - 14V DC
Current consumption	400mA
Relay contact current rating	13A
Relay contact isolation	4kV AC
Relay contact voltage	240V AC
Relay contact frequency	50Hz

## Communication

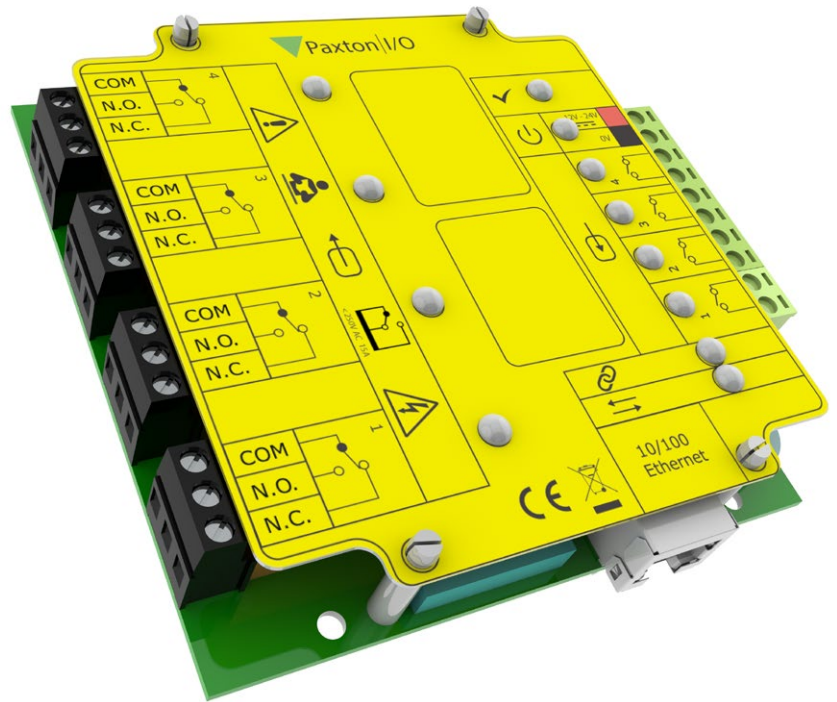
TCP/IP	Yes
Wireless	No
RS485	No
Ethernet network speed	100Mbit/s auto MDIX
Ethernet bandwidth requirement	200 kbits/sec
DHCP support (fixed IP recommended)	Yes

## Environment

Operating temperature	-20°C - +55°C -4°F - +131°F
Moisture resistance	No - if used externally, it must be protected in a weatherproof housing
Vandal Resistance	Low

## Certifications

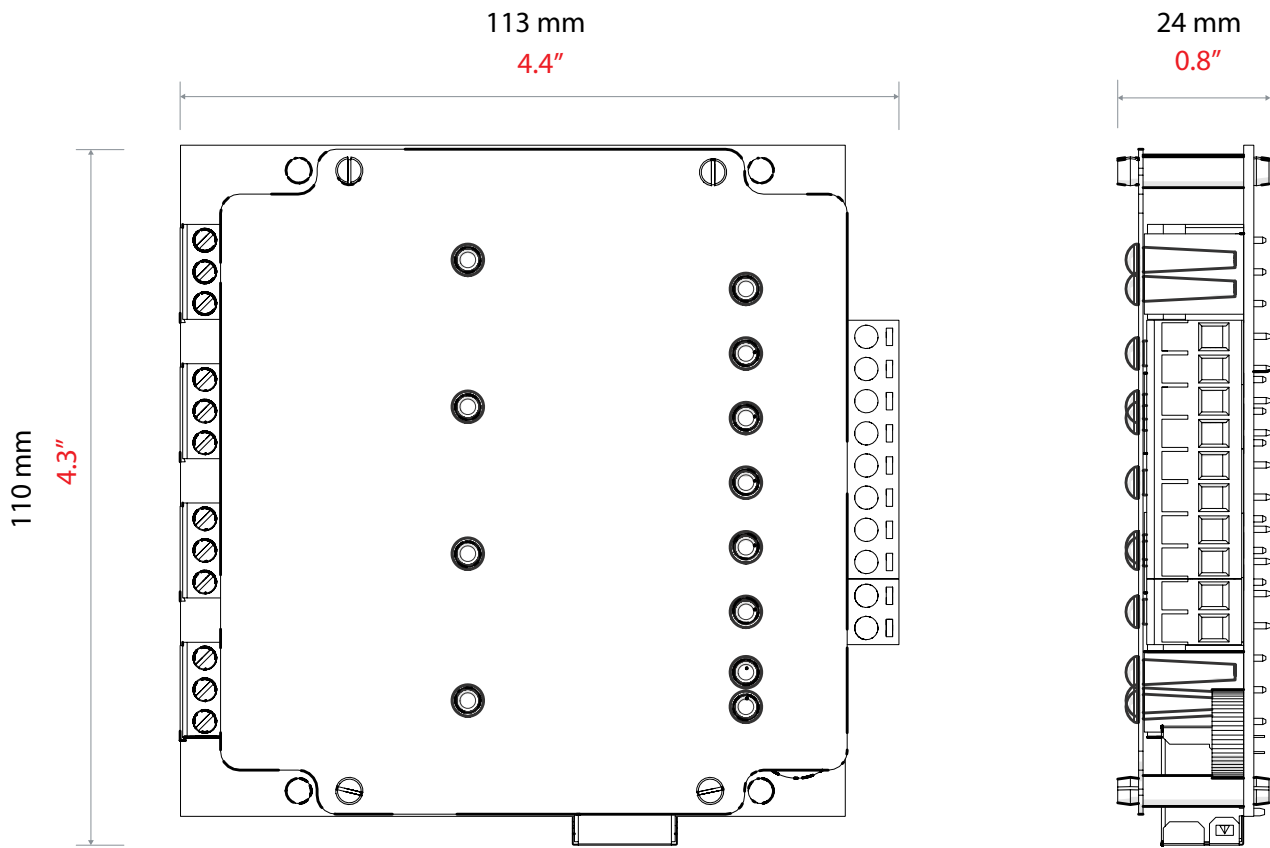
FCC Part 15	✓
-------------	---



The Net2 I/O board is simple, yet powerful addition to the Net2 system. It can be wired alongside a Net2 door controller, to switch power on and off to electrical equipment to save money and energy. The board can control lighting, heating, water and air conditioning by using the triggers and actions application in the Net2 software. These actions can be programmed for a particular time, or in response to a specific Net2 event.

The Net2 I/O board consists of 4 inputs and 4 outputs. It connects directly to a LAN/WAN via an onboard RJ45 connector and can be distributed around a building as required. The I/O board can be supplied as PCB only, in a plastic housing or mounted within a 2A boxed plastic mains monitored backup power supply.

Please note, I/O boards work as part of the Net2 system. They are not door controllers.



Accessories and sales codes

Net2 I/O board	489-710-US	Net2 I/O board - Plastic housing	385-710-US
Net2 I/O board - 12V 2A PSU, Plastic cabinet	411-623-US		