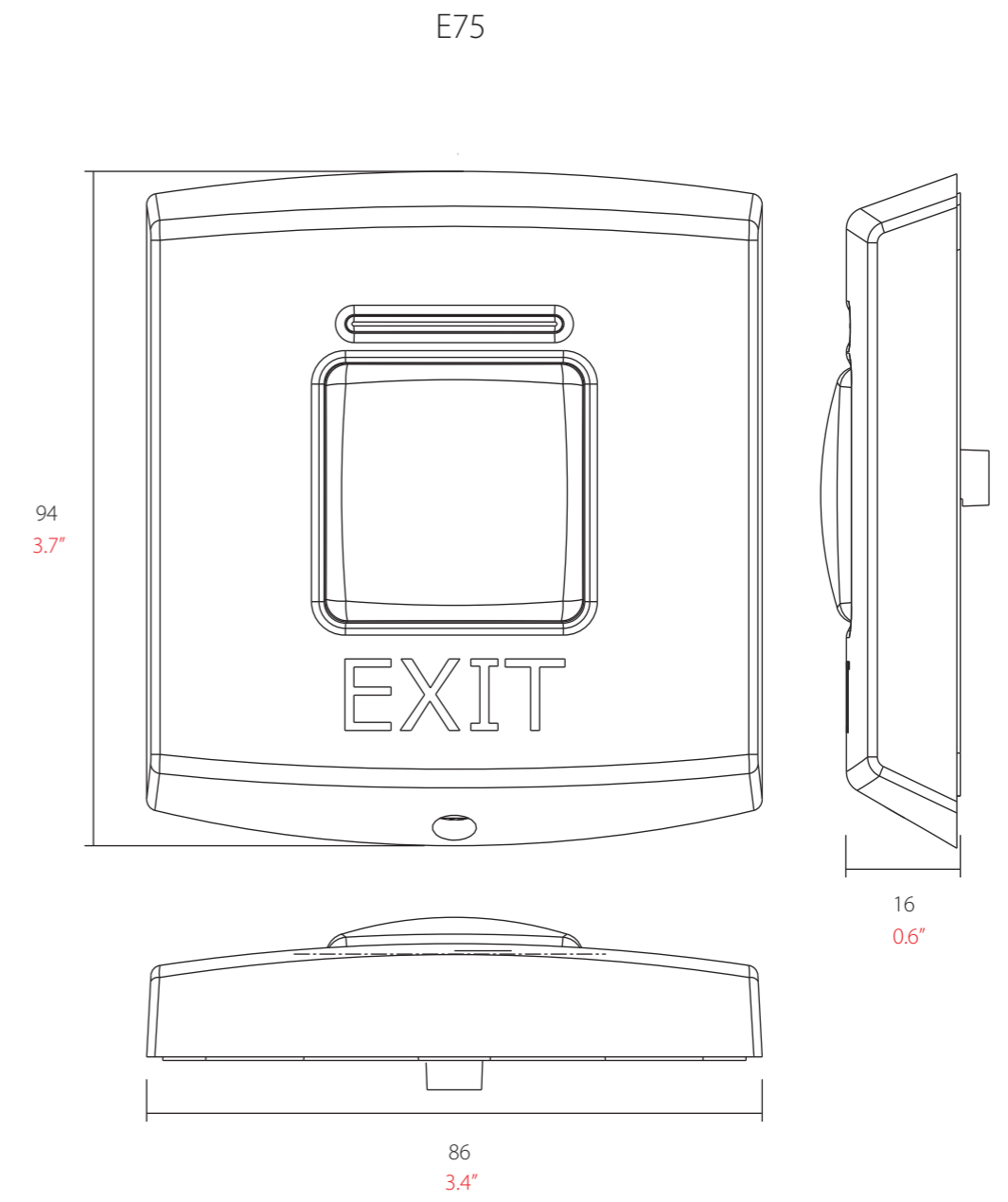
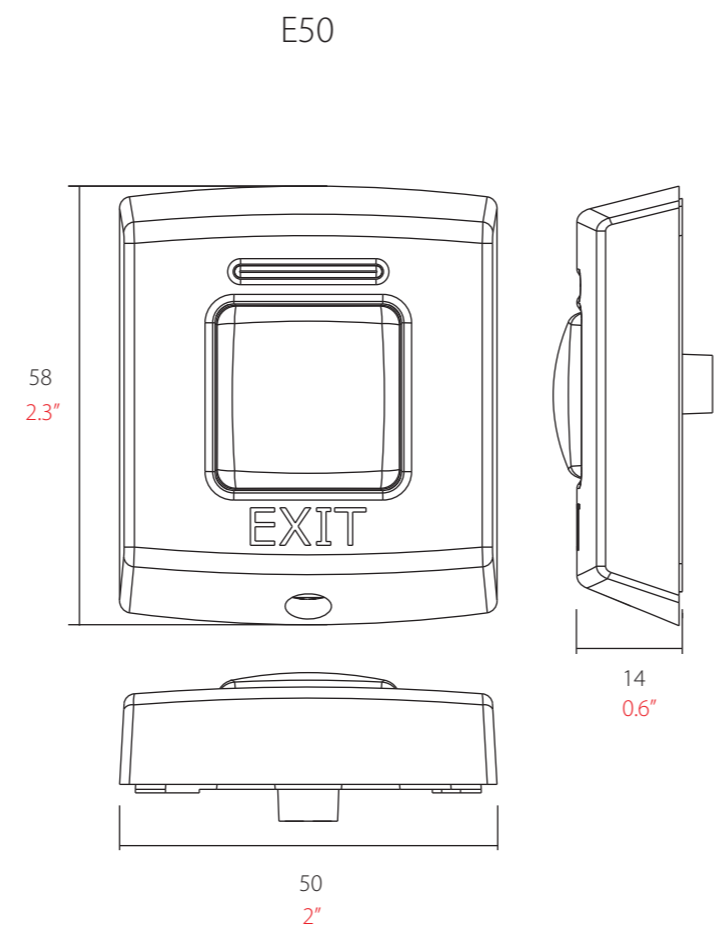
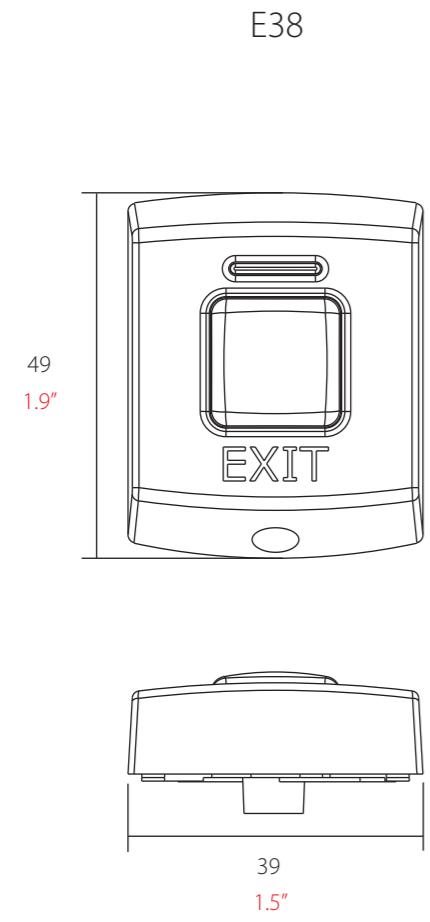


1	2	3	4	5	6	7	8	9	10	11	12
REV.	DESCRIPTION		DATE								



PROPRIETARY AND CONFIDENTIAL
 THE INFORMATION CONTAINED IN THIS DRAWING IS THE SOLE PROPERTY OF
 PAXTON ACCESS LTD.
 ANY REPRODUCTION IN PART OR AS A WHOLE WITHOUT THE EXPRESS PERMISSION OF
 PAXTON ACCESS LTD IS PROHIBITED.
 ©2014

Please note: Check the correct scale of print-outs as your printer may cause inaccuracies

	DWG NO:	Issue A
	Paxton House Home Farm Road, Brighton, United Kingdom BN1 9HU +44 1273 811011	MATERIAL SPECIFICATION: DEFINED BY PAXTON ACCESS MATERIAL SPECIFICATION DOCUMENT
mm inches	UNLESS OTHERWISE SPECIFIED: X = ± 0.500000 X.X = ± 0.200000 X.XX = ± 0.100000 ANGULAR TOL ±1°	DRAWN: M.Lilley
SCALE: 1:1		SHEET 1 OF 1

A3