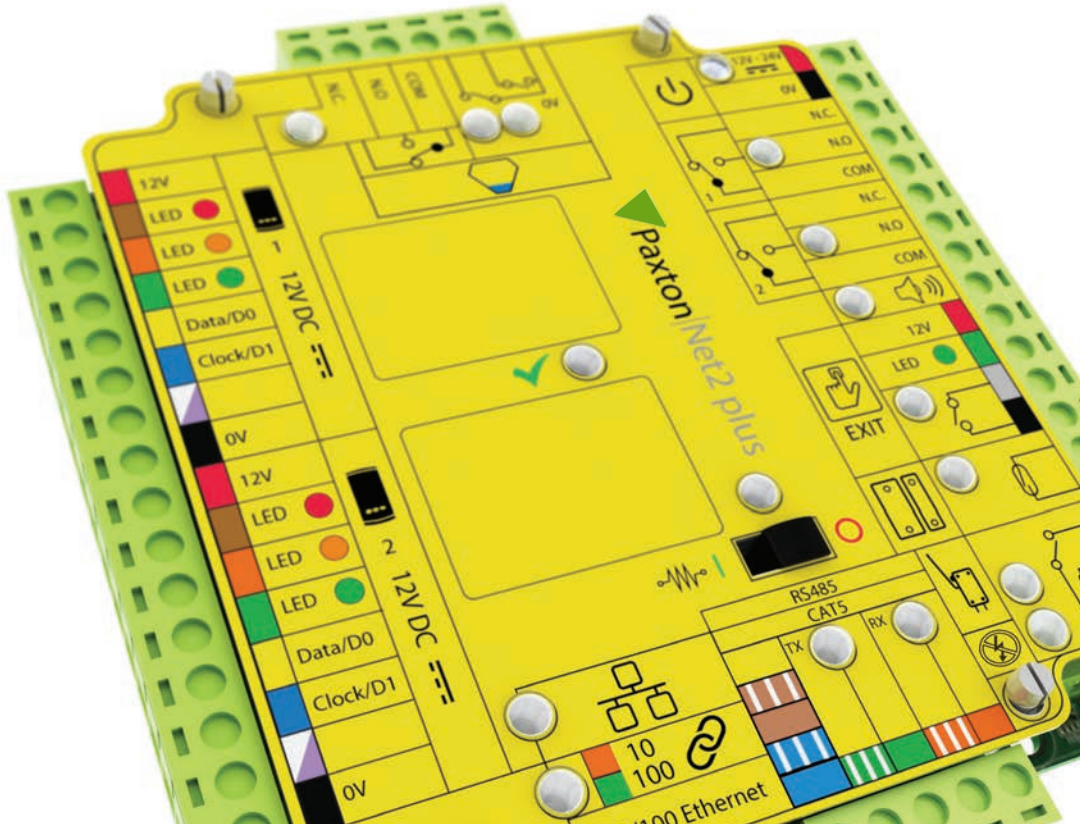
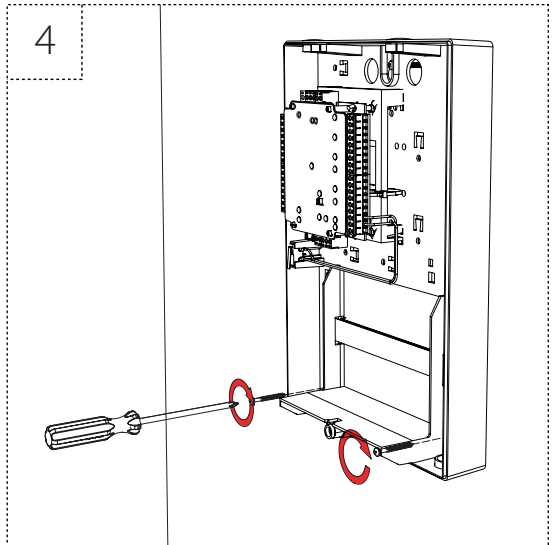
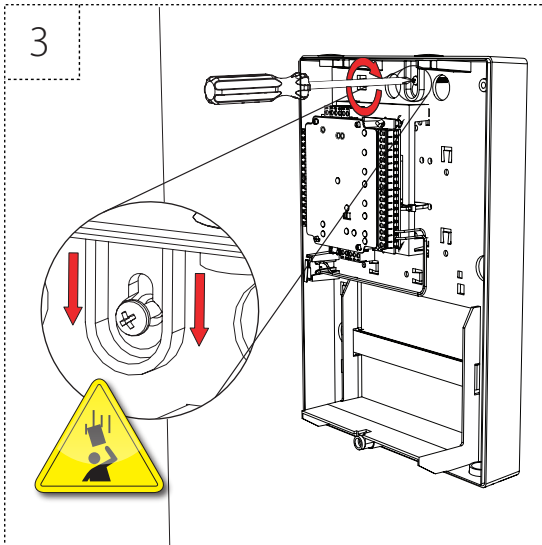
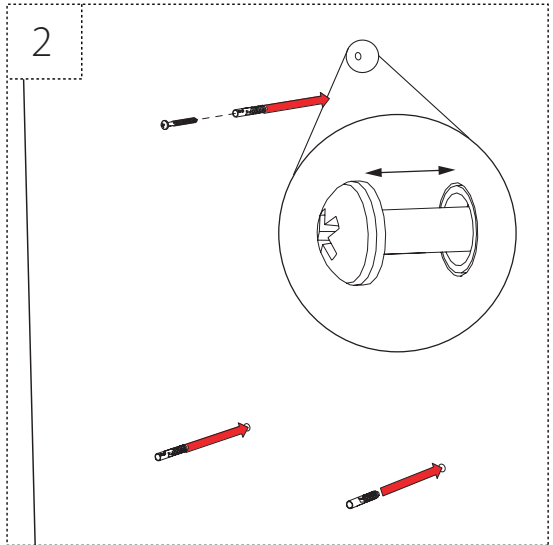
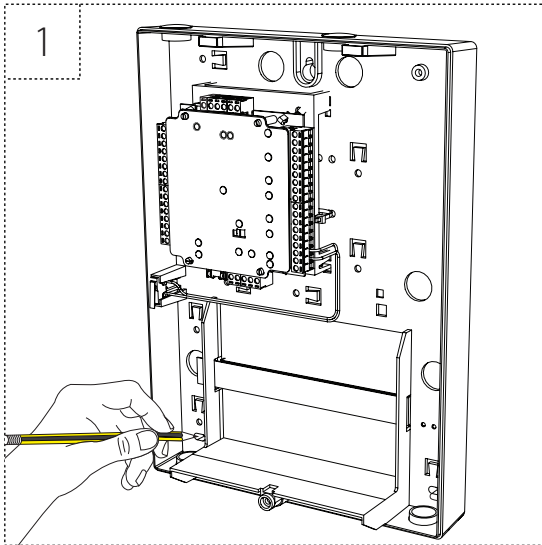
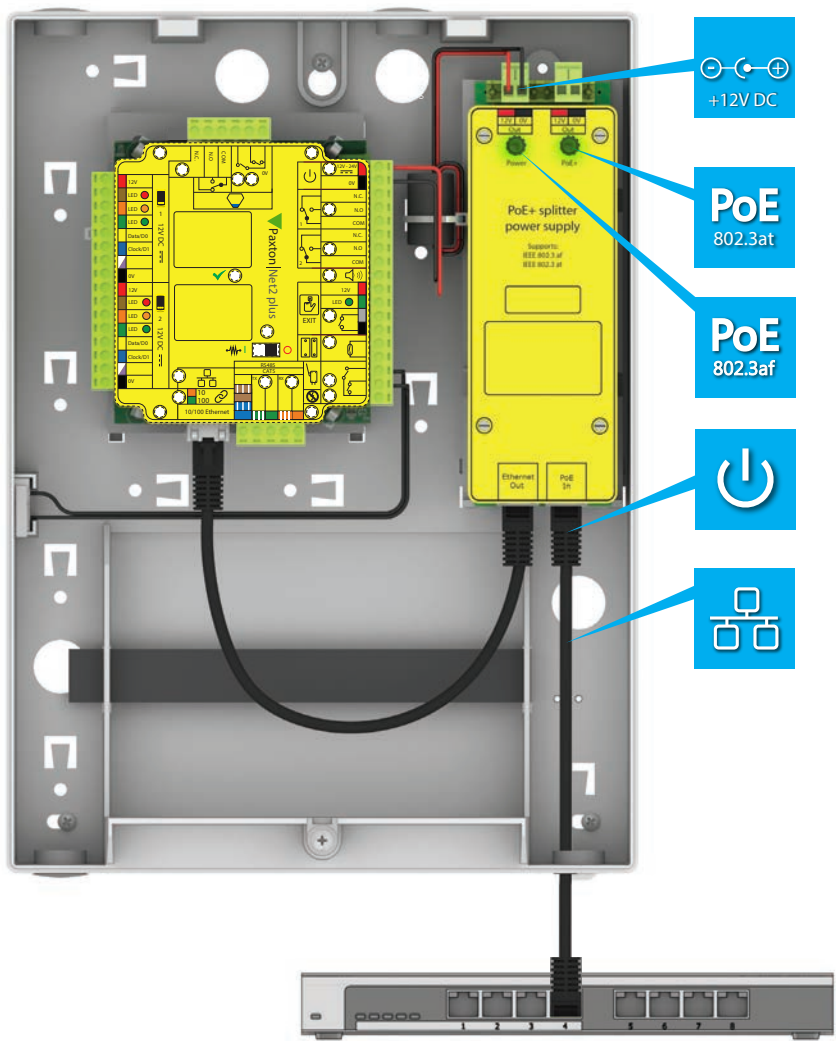


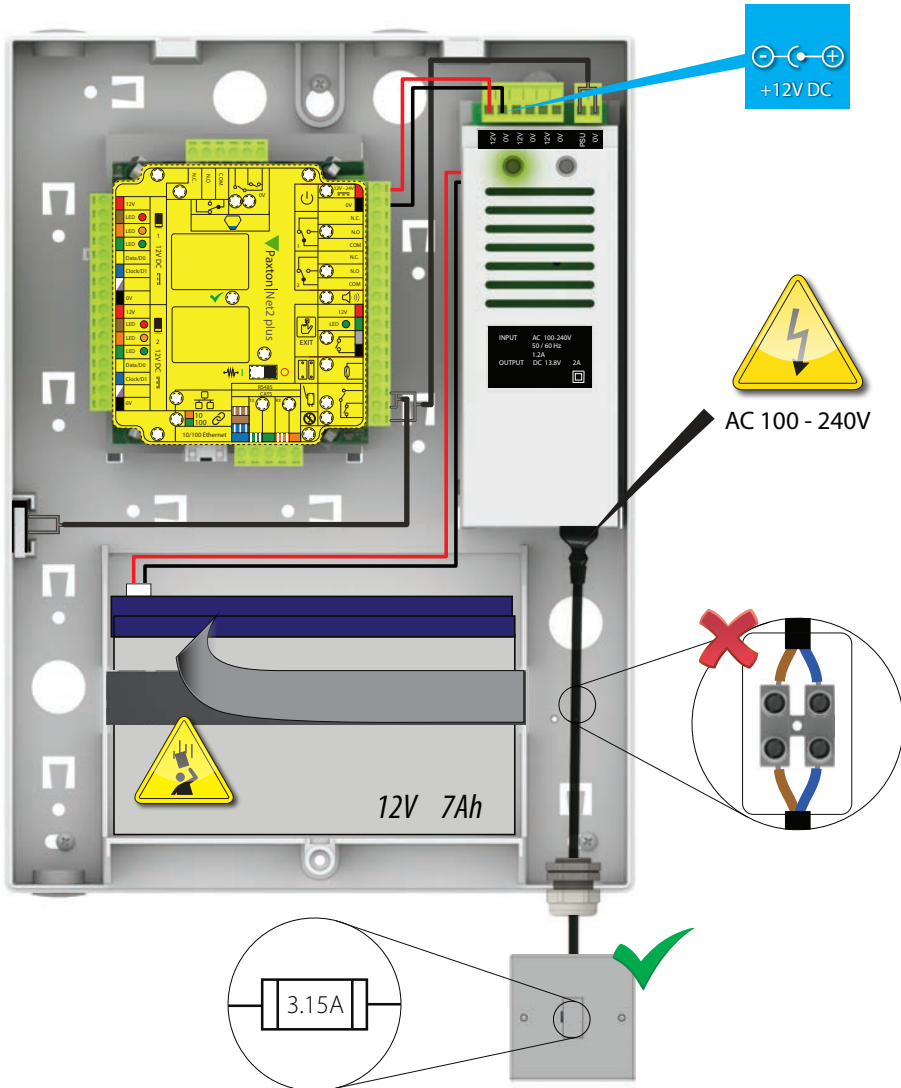


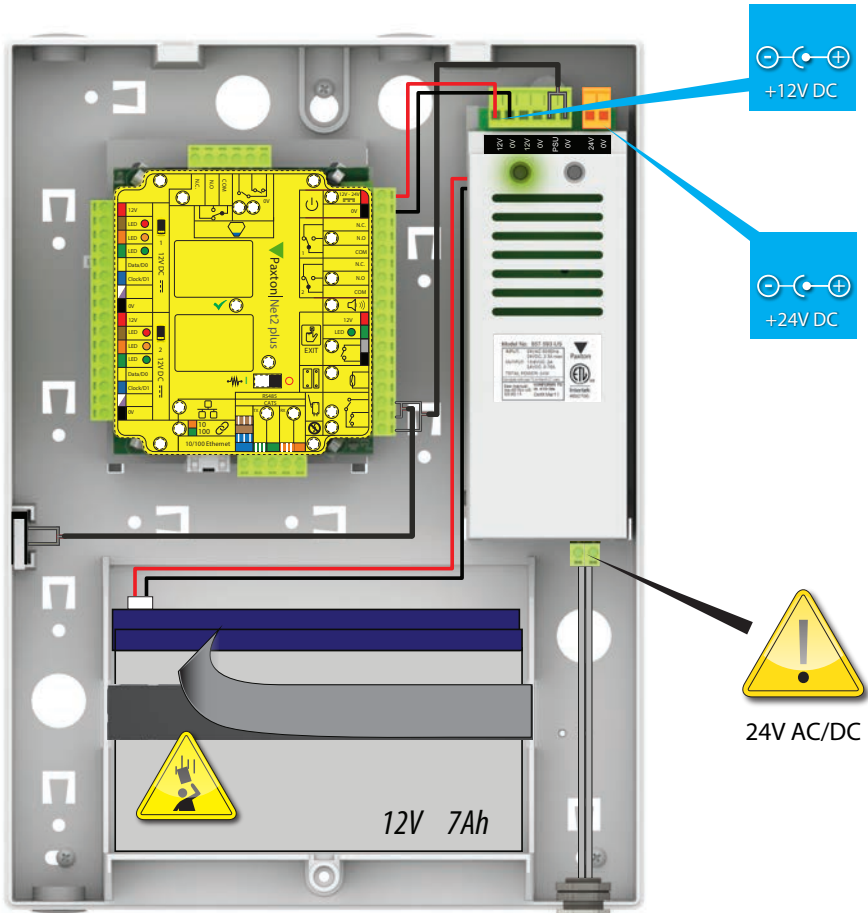
ins-20006

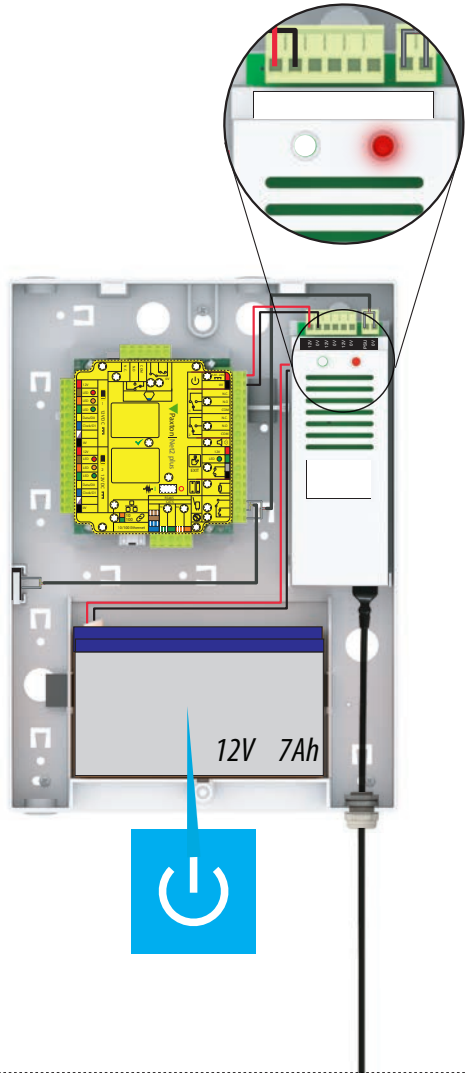
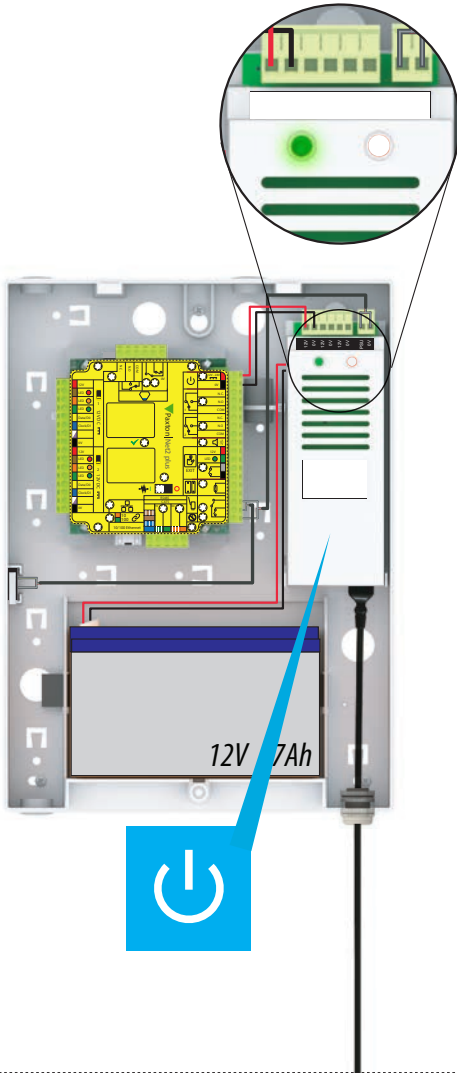


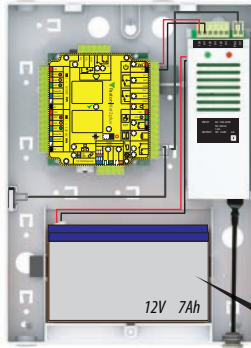




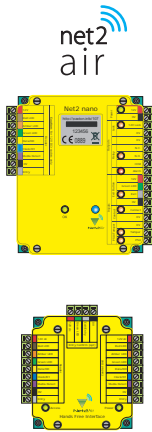








12V ✓
24V ✗





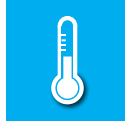
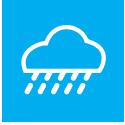



+



=



							
682-493	N/A	N/A	N/A	N/A	0°C - +55°C 32°F - +131°F	✗	
682-528	N/A	N/A	N/A	N/A	0°C - +55°C 32°F - +131°F	✗	
682-531	100V - 240V AC	50/60HZ	N/A	N/A		✗	
682-813	100V - 240V AC	50/60HZ	N/A	N/A		✗	
682-910	24V AC	50/60HZ	N/A	N/A		0°C - +49°C 32°F - +120°F	✗
682-284	N/A	N/A	≤0.8A / ≤10.36W	≤1.5A / ≤20.4W		✗	
682-721	N/A	N/A	≤0.8A / ≥10.36W	≤1.5A / ≤20.4W		✗	



+44 (0)1273 811011

support@paxton.co.uk

paxton.support



877.438.7298

supportUS@paxton-access.com

usapaxton.support



+31 (0)76 3333 999

support@paxton-benelux.com

paxton.benelux.support



+32 (0) 78485147

support@paxton-benelux.com

paxton.benelux.support



+49 (0) 251 2080 6900

verkauf@paxton-gmbh.de

paxton.gmbh.support



+33 (0)1 57 32 93 56

support@paxtonaccess.fr

paxton.support



+27 (0) 21 4276691

support@paxtonaccess.co.za

paxton.support



8000 3570 3783

support@paxtonaccess.ae

paxton.support



+52 55 5351 3667

soporte@paxton-access.com

paxton.soporte



+57 1508 8198

soporte@paxton-access.com

paxton.soporte



+44 (0)1273 811011

support@paxton.co.uk

paxton.support



The declaration of conformity is available on request. Contact details are provided at: <http://paxton.info/596>

These products are not suitable for retail sale. All warranties are invalid if these products are not installed by a competent person.

The product is compliant with the following directives:

- The Low Voltage (LVD) Directive
- The Electro-Magnetic Compatibility (EMC) Directive
- The Restriction of Hazardous Substances (RoHS) Directive

The following warnings and instructions MUST be adhered to. Read the instructions before installing and powering the equipment. Keep the instructions in a safe place for future reference.

INSTALLATION - Only qualified and trained personnel, familiar with this type of product and who fully understand these instructions should install, connect or test this equipment. There are no user serviceable parts within the PSU unit.

- The equipment is intended for indoor use only in dry locations. This is a Class A product. In a domestic environment this product may cause radio interference in which case the user may be required to take adequate measures.

- The installation must meet National Wiring Regulations and IEC60950-1 standards.

- Disconnect Devices: A readily accessible disconnect device shall be incorporated in the building wiring to include an appropriately rated circuit breaker to disconnect both poles with at least a 3.0 mm contact gap. After switch off, all internal capacitors will discharge to safe levels within 60 seconds under normal conditions. Under fault conditions, charge may be held for much longer and suitable precautions should be taken before handling the unit.

- Protection device: The fusing characteristics of the protection device to be used are T3.15AH250V

SAFETY WARNING

RISK OF EXPLOSION IF BATTERY IS REPLACED BY AN INCORRECT TYPE.

DISPOSE OF USED BATTERIES ACCORDING TO THE INSTRUCTIONS.

WHEN USED WITH A PAXTON ENTRY PANEL, IN ORDER TO RETAIN UL293 CERTIFICATION THE READER CABLE SHOULD NOT BE EXTENDED BEYOND 30M.

North America:-

Product Compliance and limitations

This device complies with Industry Canada licence-exempt RSS standard(s). Operation is subject to the following two conditions: (1) this device may not cause interference, and (2) this device must accept any interference, including interference that may cause undesired operation of the device.

Wiring methods shall be in accordance with the National Electrical Code (ANSI/NFPA70), local codes, and the authorities having jurisdiction.

FCC Compliance

This device complies with Part 15 of the FCC Rules. Operation is subject to the following two conditions:

(1) this device may not cause harmful interference, and (2) this device must accept any interference received, including interference that may cause undesired operation. Changes or modifications not expressly approved by the party responsible for compliance could void the user's authority to operate the equipment.

Class B digital devices.

This equipment has been tested and found to comply with the limits for a Class B digital device, pursuant to Part 15 of the FCC Rules. These limits are designed to provide reasonable protection against harmful interference in a residential installation. This equipment generates, uses and can radiate radio frequency energy and, if not installed and used in accordance with the instructions, may cause harmful interference to radio communications. However, there is no guarantee that interference will not occur in a particular installation. If this equipment does cause harmful interference to radio or television reception, which can be determined by turning the equipment off and on, the user is encouraged to try to correct the interference by one or more of the following measures:

- Reorient or relocate the receiving antenna.
- Increase the separation between the equipment and receiver.
- Connect the equipment into an outlet on a circuit different from that to which the receiver is connected.
- Consult the dealer or an experienced radio/TV technician for help.

Class A digital devices.

This equipment has been tested and found to comply with the limits for a Class A digital device, pursuant to part 15 of the FCC Rules. These limits are designed to provide reasonable protection against harmful interference when the equipment is operated in a commercial environment. This equipment generates, uses, and can radiate radio energy and, if not installed and used in accordance with the instruction manual, may cause harmful interference to radio communications. Operation of this equipment in a residential area is likely to cause harmful interference in which case the user will be required to correct the interference at his own expense.

Wiring methods shall be in accordance with the National Electrical Code (ANSI/NFPA70), local codes, and the authorities having jurisdiction.

For CAN/ULC-5319 installations, terminals, leads and wiring methods must comply with CSA, C22.1, Canadian electrical code, Part 1, safety standards for electrical installations.

The use of any add-on, expansion, memory or other module manufactured or supplied by the manufacturer's representative will invalidate the CAN/ULC-5319 certification.

This device complies with Industry Canada licence-exempt RSS standard(s). Operation is subject to the following two conditions: (1) this device may not cause interference, and (2) this device must accept any interference, including interference that may cause undesired operation of the device.

Conformité et limitations du produit

Ce dispositif est conforme au(x) standards RSS de l'industrie Canadienne sans-licence. Le fonctionnement est soumis aux deux conditions suivantes : (1) ce dispositif ne doit pas créer d'interférences nuisibles et (2) ce dispositif doit accepter toute interférence reçue, y compris des interférences qui peuvent causer un fonctionnement non souhaité.

Les méthodes de câblage doivent être en accord avec le code nation électrique (ANSI/NFPA70), codes locaux et les autorités ayant la juridiction.

Conformité FCC

Cet appareil a été testé et a été trouvé conforme avec les limites pour un appareil numérique de Classe B, en vertu de la Partie 15 des règles FCC. Ces limites sont conçues pour fournir une protection raisonnable contre des interférences nuisibles dans une installation résidentielle. L'appareil génère, utilise et peut émettre une énergie de fréquence radio et, s'il n'est pas installé et utilisé en accord avec les instructions, peut causer des interférences nuisibles aux communications radio. Néanmoins, il n'y a pas de garantie que l'interférence ne sera présentera pas sur une installation particulière. Si l'équipement crée une interférence nuisible à la réception radio ou télévisuelle, qui peut être déterminé en éteignant et rallumant l'appareil, l'utilisateur est conseillé d'essayer de corriger l'interférence avec une ou plusieurs des mesures ci-dessous:

- Réorienter ou repositionné l'antenne de réception
- Augmenter la séparation entre l'équipement et le récepteur.
- Connecter l'appareil sur une sortie ou un circuit différent que celui sur lequel le récepteur est connecté.
- Consulter le fournisseur ou un technicien radio/TV expérimenté pour une aide.

Appareils numériques de classe A.

Cet appareil a été testé et a été trouvé conforme avec les limites pour un appareil numérique de Classe B, en vertu de la Partie 15 des règles FCC. Ces limites sont conçues pour fournir une protection raisonnable contre des interférences nuisibles dans une installation résidentielle. L'appareil génère, utilise et peut émettre une énergie de fréquence radio et, s'il n'est pas installé et utilisé en accord avec les instructions, peut causer des interférences nuisibles aux communications radio. L'opération de cet équipement dans une zone résidentielle créera probablement des interférences nuisibles dans quel cas l'utilisateur sera requis pour corriger l'interférence à ses frais.



Made in the UK

