

Entry Touch Panel

System specifications

Maximum total tokens/users - Standalone	100 card packs (up to 5,000 tokens/users)
Power over Ethernet (PoE)	Yes - IEEE 802.3af class 0
Ethernet bandwidth requirement	1Mb/s multicast per panel during call
Panels per system	100
TCP/IP ethernet extension limit	100m / 328 ft
Cable type	Cat 5
Token compatibility	Paxton, EM4100/02, MIFARE®, MIFARE® Classic, MIFARE® DESFire® EV1, MIFARE Plus®, MIFARE Ultralight®, MIFARE Ultralight C®, MIFARE Mini®, HID® Prox (activation required)

Other hardware features

Audio system	Full Duplex
Camera system	Full Colour
PIN/Code entry	Yes - only in conjunction with Net2 software & Paxton10
Bluetooth® compatibility	Yes - only in conjunction with Paxton10
Bluetooth modes	'Token mode' - (Present credential to reader) 'Touch to enter' - (Smart credential or Hands free Keyfob in pocket) 'Longe range' - (Smart credential or Hands free Keyfob (Up to 10m)) 'Bluetooth off'
Proximity entry	Yes
IDC connector	Optional
Colour	Black
LCD display	7"
Touch mode	Capacitive
Anti glare coating	Yes
Auto brightness	Yes
Low light LED	Yes
Optically bonded	Yes
Material	316L Stainless Steel Marine Grade

Environment

Operating temperature	-20°C - +50°C -4°F - +122°F
Moisture resistance	IPX5
Impact resistance	IK7

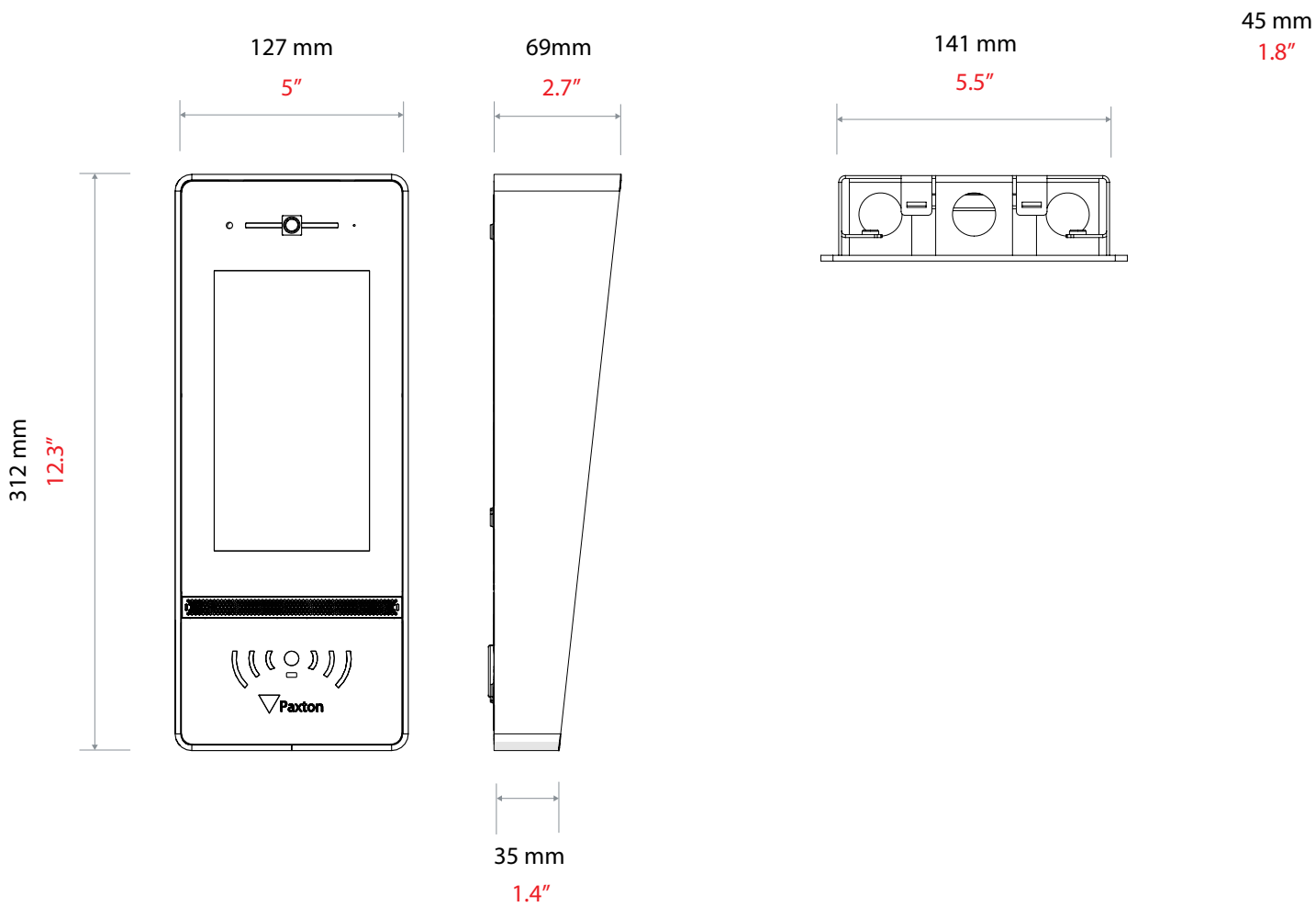
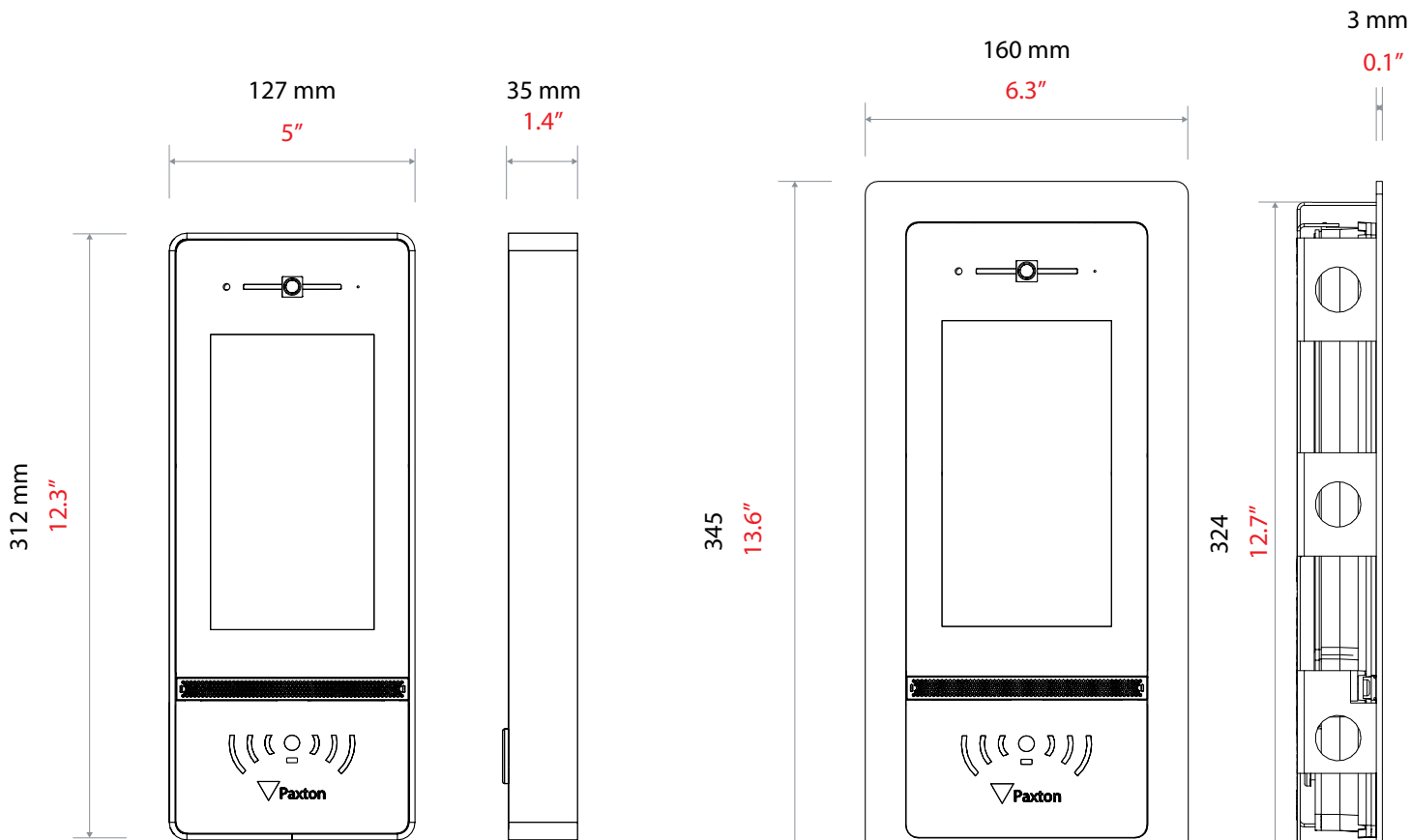


The Entry panel is a robust door entry panel incorporating both door entry and access control functions. It is powered using power over Ethernet (PoE) and communicates with the other elements of the system using IPv6, providing 'plug and play' installation. Each panel is associated with a Entry control unit which is the interface to the door hardware.

The panel is equipped with a keypad and a proximity token reader. A resident can use either the keypad or a token to gain entry. Installers gain access to the menu options using an engineer code or an engineer token.

Net2 or Paxton10 software can be used to administer the access control functions.

Decide how the units are to be connected. You can either run your own wired network or (with the owner's permission) share the buildings existing data network. If using the owners network, the system uses IPv6 protocol and PoE (Power over Ethernet) so the network must support this switch type.



Entry - Touch panel, surface mount	337-620-US
Entry - Touch panel, surface mount with rain hood	337-610-US
Entry - Touch panel, flush mount	337-600-US
Entry - Touch panel, demonstration case	337-630-US

